

TRAFFIC CRASH REPORT

*DENOTES MANDATORY FIELD FOR SUPPLEMENT REPORT

LOCAL REPORT NUMBER*

<input checked="" type="checkbox"/> PHOTOS TAKEN	<input type="checkbox"/> OH-2	<input type="checkbox"/> OH-3	LOCAL INFORMATION		000190004086
<input type="checkbox"/> SECONDARY CRASH	<input type="checkbox"/> OH-1P	<input type="checkbox"/> OTHER	REPORTING AGENCY NAME* Clermont County Sheriff		NCIC* 01300
<input type="checkbox"/> PRIVATE PROPERTY			HIT/SKIP 1 - SOLVED 2 - UNSOLVED	NUMBER OF UNITS 02	UNIT IN ERROR 98 - ANIMAL 99 - UNKNOWN

COUNTY* 13	LOCALITY* 3	1 - CITY 2 - VILLAGE 3 - TOWNSHIP	LOCATION: CITY, VILLAGE, TOWNSHIP* Jackson	CRASH DATE / TIME* 01302019/1538	CRASH SEVERITY 5
---------------	----------------	---	---	-------------------------------------	---------------------

ROUTE TYPE SR	ROUTE NUMBER 133	PREFIX 1 - NORTH 2 - SOUTH 3 - EAST 4 - WEST	LOCATION ROAD NAME	ROAD TYPE	LATITUDE DECIMAL DEGREES 39.118329
ROUTE TYPE	ROUTE NUMBER	PREFIX	REFERENCE ROAD NAME (ROAD, MILEPOST, HOUSE #) 5008	ROAD TYPE	LONGITUDE DECIMAL DEGREES -84.054143

REFERENCE POINT 3	DIRECTION FROM REFERENCE 1 - NORTH 2 - SOUTH 3 - EAST 4 - WEST	ROUTE TYPE IR - INTERSTATE ROUTE(TP) US - FEDERAL US ROUTE SR - STATE ROUTE CR - NUMBERED COUNTY ROUTE TR - NUMBERED TOWNSHIP ROUTE	ROAD TYPE AL - ALLEY AV - AVENUE BL - BOULEVARD CR - CIRCLE CT - COURT DR - DRIVE HE - HEIGHTS	HW - HIGHWAY LA - LANE MP - MILEPOST OV - OVAL PK - PARKWAY PI - PIKE PL - PLACE	RD - ROAD SQ - SQUARE ST - STREET TE - TERRACE TL - TRAIL WA - WAY	INTERSECTION RELATED <input type="checkbox"/> WITHIN INTERSECTION OR ON APPROACH <input type="checkbox"/> WITHIN INTERCHANGE AREA
DISTANCE FROM REFERENCE		DISTANCE UNIT OF MEASURE 1 - MILES 2 - FEET 3 - YARDS				NUMBER OF APPROACHES
						ROADWAY
						<input type="checkbox"/> ROADWAY DIVIDED

LOCATION OF FIRST HARMFUL EVENT 1 - ON ROADWAY 2 - ON SHOULDER 3 - IN MEDIAN 4 - ON ROADSIDE 5 - ON GORE 6 - OUTSIDE TRAFFIC WAY 7 - ON RAMP 8 - OFF RAMP	MANNER OF CRASH COLLISION/IMPACT 1 - NOT COLLISION BETWEEN TWO MOTOR VEHICLES IN TRANSPORT 2 - REAR-END 3 - HEAD-ON 4 - REAR-TO-REAR 5 - BACKING 6 - ANGLE 7 - SIDESWIPE, SAME DIRECTION 8 - SIDESWIPE, OPPOSITE DIRECTION 9 - OTHER / UNKNOWN	DIRECTION OF TRAVEL 1 - NORTH 2 - SOUTH 3 - EAST 4 - WEST	MEDIAN TYPE 1 - DIVIDED FLUSH MEDIAN (<4 FEET) 2 - DIVIDED FLUSH MEDIAN (≥4 FEET) 3 - DIVIDED, DEPRESSED MEDIAN 4 - DIVIDED, RAISED MEDIAN (ANY TYPE) 9 - OTHER/UNKNOWN
---	---	---	--

<input type="checkbox"/> WORK ZONE RELATED	<input type="checkbox"/> WORKERS PRESENT	<input type="checkbox"/> LAW ENFORCEMENT PRESENT	<input type="checkbox"/> ACTIVE SCHOOL ZONE	WORK ZONE TYPE 1 - LANE CLOSURE 2 - LANE SHIFT/CROSSOVER 3 - WORK ON SHOULDER OR MEDIAN 4 - INTERMITTENT OR MOVING WORK 5 - OTHER	LOCATION OF CRASH IN WORK ZONE 1 - BEFORE THE 1ST WORK ZONE WARNING SIGN 2 - ADVANCE WARNING AREA 3 - TRANSITION AREA 4 - ACTIVITY AREA 5 - TERMINATION AREA	CONTOUR 3	CONDITIONS 3	SURFACE 2
--	--	--	---	--	---	--------------	-----------------	--------------

LIGHT CONDITION 1 - DAYLIGHT 2 - DAWN/DUSK 3 - DARK - LIGHTED ROADWAY 4 - DARK - ROADWAY NOT LIGHTED 5 - DARK - UNKNOWN ROADWAY LIGHTING 9 - OTHER / UNKNOWN	WEATHER 1 - CLEAR 2 - CLOUDY 3 - FOG, SMOG, SMOKE 4 - RAIN 5 - SLEET, HAIL 6 - SNOW 7 - SEVERE CROSSWINDS 8 - BLOWING SAND, SOIL, DIRT, SNOW 9 - FREEZING RAIN OR FREEZING DRIZZLE 99 - OTHER / UNKNOWN	1 - STRAIGHT LEVEL 2 - STRAIGHT GRADE 3 - CURVE LEVEL 4 - CURVE GRADE 9 - OTHER/UNKNOWN	1 - DRY 2 - WET 3 - SNOW 4 - ICE 5 - SAND, MUD, DIRT, OIL, GRAVEL 6 - WATER (STANDING, MOVING) 7 - SLUSH 9 - OTHER/UNKNOWN	1 - CONCRETE 2 - BLACKTOP, BITUMINOUS, ASPHALT 3 - BRICK/BLOCK 4 - SLAG, GRAVEL, STONE 5 - DIRT 9 - OTHER/UNKNOWN
--	---	---	---	--

<p>NARRATIVE</p> <p>unit #1 was traveling north on SR 133 when unit #1 slid on a patch of ice and sideswiped unit #2 causing minor damage.</p>	
--	--

CRASH REPORTED DATE / TIME 01302019/1538	DISPATCH DATE / TIME 01302019/1538	ARRIVAL DATE / TIME 01302019/1600	SCENE CLEARED DATE / TIME 01302019/1628	REPORT TAKEN BY <input checked="" type="checkbox"/> POLICE AGENCY <input type="checkbox"/> MOTORIST <input type="checkbox"/> SUPPLEMENT (CORRECTION OR ADDITION TO AN EXISTING REPORT SENT TO OOPS)
TOTAL TIME ROADWAY CLOSED	OTHER INVESTIGATION TIME	TOTAL MINUTES	OFFICER'S NAME* J.S. Rudd	CHECKED BY OFFICER'S NAME*
		50	OFFICER'S BADGE NUMBER* 3052	CHECKED BY OFFICER'S BADGE NUMBER*

MOTORIST / Non-MOTORIST

LOCAL REPORT NUMBER
000190004086

UNIT # 01	NAME: LAST, FIRST, MIDDLE Wisemann, Thomas J.	DATE OF BIRTH 06121980	AGE 38	GENDER M
ADDRESS: STREET, CITY, STATE, ZIP 5647 Bucktown Rd Williamsburg, OH 45176		CONTACT PHONE - INCLUDE AREA CODE		
INJURIES 5	INJURED TAKEN BY	EMS AGENCY (NAME)	INJURED TAKEN TO: MEDICAL FACILITY (NAME, CITY)	SAFETY EQUIPMENT USED 4
OL STATE OH	OPERATOR LICENSE NUMBER RP148320	OFFENSE CHARGED	LOCAL CODE	OFFENSE DESCRIPTION
OL CLASS D4	ENDORSEMENT SELECT UP TO 2	RESTRICTION SELECT UP TO 3	DRIVER DISTRACTED BY 1	ALCOHOL / DRUG SUSPECTED <input type="checkbox"/> ALCOHOL <input type="checkbox"/> MARIJUANA <input type="checkbox"/> OTHER DRUG
CONDITION 1		ALCOHOL TEST STATUS: 1 TYPE: 1 VALUE: 1		DRUG TEST(S) STATUS: 1 TYPE: 1 RESULT: 1

UNIT # 02	NAME: LAST, FIRST, MIDDLE Bailey, Trevor I	DATE OF BIRTH 10062001	AGE 17	GENDER M
ADDRESS: STREET, CITY, STATE, ZIP 1966 State Route 131 Fayetteville, OH 45118		CONTACT PHONE - INCLUDE AREA CODE		
INJURIES 5	INJURED TAKEN BY	EMS AGENCY (NAME)	INJURED TAKEN TO: MEDICAL FACILITY (NAME, CITY)	SAFETY EQUIPMENT USED 4
OL STATE OH	OPERATOR LICENSE NUMBER UT71287	OFFENSE CHARGED	LOCAL CODE	OFFENSE DESCRIPTION
OL CLASS D4	ENDORSEMENT SELECT UP TO 2	RESTRICTION SELECT UP TO 3	DRIVER DISTRACTED BY 1	ALCOHOL / DRUG SUSPECTED <input type="checkbox"/> ALCOHOL <input type="checkbox"/> MARIJUANA <input type="checkbox"/> OTHER DRUG
CONDITION 1		ALCOHOL TEST STATUS: 1 TYPE: 1 VALUE: 1		DRUG TEST(S) STATUS: 1 TYPE: 1 RESULT: 1

UNIT #	NAME: LAST, FIRST, MIDDLE	DATE OF BIRTH	AGE	GENDER
ADDRESS: STREET, CITY, STATE, ZIP		CONTACT PHONE - INCLUDE AREA CODE		
INJURIES	INJURED TAKEN BY	EMS AGENCY (NAME)	INJURED TAKEN TO: MEDICAL FACILITY (NAME, CITY)	SAFETY EQUIPMENT USED
OL STATE	OPERATOR LICENSE NUMBER	OFFENSE CHARGED	LOCAL CODE	OFFENSE DESCRIPTION
OL CLASS	ENDORSEMENT SELECT UP TO 2	RESTRICTION SELECT UP TO 3	DRIVER DISTRACTED BY	ALCOHOL / DRUG SUSPECTED
CONDITION		ALCOHOL TEST		DRUG TEST(S)

INJURIES	SEATING POSITION	AIR BAG	OL CLASS	OL RESTRICTION(S)	DRIVER DISTRACTION	TEST STATUS
1 - FATAL	1 - FRONT - LEFT SIDE (MOTORCYCLE DRIVER)	1 - NOT DEPLOYED	1 - CLASS A	1 - ALCOHOL INTERLOCK DEVICE	1 - NOT DISTRACTED	1 - NONE GIVEN
2 - SUSPECTED SERIOUS INJURY	2 - FRONT - MIDDLE	2 - DEPLOYED FRONT	2 - CLASS B	2 - CDL INTRASTATE ONLY	2 - MANUALLY OPERATING AN ELECTRONIC COMMUNICATION DEVICE (TEXTING, TYPING, DIALING)	2 - TEST REFUSED
3 - SUSPECTED MINOR INJURY	3 - FRONT - RIGHT SIDE	3 - DEPLOYED SIDE	3 - CLASS C	3 - CORRECTIVE LENSES	3 - TALKING ON HANDS-FREE COMMUNICATION DEVICE	3 - TEST GIVEN, CONTAMINATED SAMPLE / UNUSABLE
4 - POSSIBLE INJURY	4 - SECOND - LEFT SIDE (MOTORCYCLE PASSENGER)	4 - DEPLOYED BOTH FRONT / SIDE	4 - REGULAR CLASS (OHIO = D)	4 - FARM WAIVER	4 - TALKING ON HAND-HELD COMMUNICATION DEVICE	4 - TEST GIVEN, RESULTS KNOWN
5 - NO APPARENT INJURY	5 - SECOND - MIDDLE	5 - NOT APPLICABLE	5 - M/C MOPED ONLY	5 - EXCEPT CLASS A BUS	5 - OTHER ACTIVITY WITH AN ELECTRONIC DEVICE	5 - TEST GIVEN, RESULTS UNKNOWN
INJURED TAKEN BY	6 - SECOND - RIGHT SIDE	9 - DEPLOYMENT UNKNOWN	6 - NO VALID OL	6 - EXCEPT CLASS A & CLASS B BUS	6 - PASSENGER	ALCOHOL TEST TYPE
1 - NOT TRANSPORTED / TREATED AT SCENE	7 - THIRD - LEFT SIDE (MOTORCYCLE SIDE CAR)	EJECTION	H - HAZMAT	7 - EXCEPT TRACTOR-TRAILER	7 - OTHER DISTRACTION INSIDE THE VEHICLE	1 - NONE
2 - EMS	8 - THIRD - MIDDLE	1 - NOT EJECTED	M - MOTORCYCLE	8 - INTERMEDIATE LICENSE RESTRICTIONS	8 - OTHER DISTRACTION OUTSIDE THE VEHICLE	2 - BLOOD
3 - POLICE	9 - THIRD - RIGHT SIDE	2 - PARTIALLY EJECTED	P - PASSENGER	9 - LEARNER'S PERMIT RESTRICTIONS	9 - OTHER / UNKNOWN	3 - URINE
9 - OTHER / UNKNOWN	10 - SLEEPER SECTION OF TRUCK CAB	3 - TOTALLY EJECTED	N - TANKER	10 - LIMITED TO DAYLIGHT ONLY		4 - BREATH
SAFETY EQUIPMENT	11 - PASSENGER IN OTHER ENCLOSED CARGO AREA (NON-TRAILING UNIT, BUS, PICK-UP WITH CAP)	4 - NOT APPLICABLE	Q - MOTOR SCOOTER	11 - LIMITED TO EMPLOYMENT		5 - OTHER
1 - NONE USED	12 - PASSENGER IN UNENCLOSED CARGO AREA	TRAPPED	R - THREE-WHEEL MOTORCYCLE	12 - LIMITED - OTHER	CONDITION	DRUG TEST TYPE
2 - SHOULDER BELT ONLY USED	13 - TRAILING UNIT	1 - NOT TRAPPED	S - SCHOOL BUS	13 - MECHANICAL DEVICES (SPECIAL BRAKES, HAND CONTROLS, OR OTHER ADAPTIVE DEVICES)	1 - APPARENTLY NORMAL	1 - NONE
3 - LAP BELT ONLY USED	14 - RIDING ON VEHICLE EXTERIOR (NON-TRAILING UNIT)	2 - EXTRICATED BY MECHANICAL MEANS	T - DOUBLE & TRIPLE TRAILERS	14 - MILITARY VEHICLES ONLY	2 - PHYSICAL IMPAIRMENT	2 - BLOOD
4 - SHOULDER & LAP BELT USED	99 - OTHER / UNKNOWN	3 - FREED BY NON-MECHANICAL MEANS	X - TANKER / HAZMAT	15 - MOTOR VEHICLES WITHOUT AIR BRAKES	3 - EMOTIONAL (E.G., DEPRESSED, ANGRY, DISTURBED)	3 - URINE
5 - CHILD RESTRAINT SYSTEM - FORWARD FACING				16 - OUTSIDE MIRROR	4 - ILLNESS	4 - OTHER
6 - CHILD RESTRAINT SYSTEM - REAR FACING				17 - PROSTHETIC AID	5 - FELL ASLEEP, FAINTED, FATIGUED, ETC.	DRUG TEST RESULT(S)
7 - BOOSTER SEAT				18 - OTHER	6 - UNDER THE INFLUENCE OF MEDICATIONS / DRUGS / ALCOHOL	1 - AMPHETAMINES
8 - HELMET USED					9 - OTHER / UNKNOWN	2 - BARBITURATES
9 - PROTECTIVE PADS USED (ELBOW, KNEES, ETC.)						3 - BENZODIAZEPINES
10 - REFLECTIVE CLOTHING						4 - CANNABINOIDS
11 - LIGHTING - PEDESTRIAN / BICYCLE ONLY						5 - COCAINE
99 - OTHER / UNKNOWN						6 - OPIATES / OPIOIDS
						7 - OTHER
						8 - NEGATIVE RESULTS

OCCUPANT / WITNESS ADDENDUM

LOCAL REPORT NUMBER
000190004086

OCCUPANT	UNIT #	NAME: LAST, FIRST, MIDDLE	DATE OF BIRTH	AGE	GENDER
	1	Wiesmann, Landon	11/29/2008	10	M
ADDRESS: STREET, CITY, STATE, ZIP			CONTACT PHONE - INCLUDE AREA CODE		
5647 Bucktown Rd. Williamsburg, Oh. 45176					
INJURIES	INJURED TAKEN BY	EMS AGENCY (NAME)	INJURED TAKEN TO: MEDICAL FACILITY (NAME, CITY)	SAFETY EQUIPMENT USED	<input type="checkbox"/> DOT-COMPLIANT MC HELMET
5				4	
SEATING POSITION	AIR BAG USAGE	EJECTION	TRAPPED		
3	1	1	1		

OCCUPANT	UNIT #	NAME: LAST, FIRST, MIDDLE	DATE OF BIRTH	AGE	GENDER
ADDRESS: STREET, CITY, STATE, ZIP			CONTACT PHONE - INCLUDE AREA CODE		
INJURIES	INJURED TAKEN BY	EMS AGENCY (NAME)	INJURED TAKEN TO: MEDICAL FACILITY (NAME, CITY)	SAFETY EQUIPMENT USED	<input type="checkbox"/> DOT-COMPLIANT MC HELMET
SEATING POSITION	AIR BAG USAGE	EJECTION	TRAPPED		

OCCUPANT	UNIT #	NAME: LAST, FIRST, MIDDLE	DATE OF BIRTH	AGE	GENDER
ADDRESS: STREET, CITY, STATE, ZIP			CONTACT PHONE - INCLUDE AREA CODE		
INJURIES	INJURED TAKEN BY	EMS AGENCY (NAME)	INJURED TAKEN TO: MEDICAL FACILITY (NAME, CITY)	SAFETY EQUIPMENT USED	<input type="checkbox"/> DOT-COMPLIANT MC HELMET
SEATING POSITION	AIR BAG USAGE	EJECTION	TRAPPED		

OCCUPANT	UNIT #	NAME: LAST, FIRST, MIDDLE	DATE OF BIRTH	AGE	GENDER
ADDRESS: STREET, CITY, STATE, ZIP			CONTACT PHONE - INCLUDE AREA CODE		
INJURIES	INJURED TAKEN BY	EMS AGENCY (NAME)	INJURED TAKEN TO: MEDICAL FACILITY (NAME, CITY)	SAFETY EQUIPMENT USED	<input type="checkbox"/> DOT-COMPLIANT MC HELMET
SEATING POSITION	AIR BAG USAGE	EJECTION	TRAPPED		

INJURIES	SAFETY EQUIPMENT USED	SEATING POSITION	AIR BAG USAGE
1 - FATAL	1 - NONE USED - VEHICLE OCCUPANT	1 - FRONT - LEFT SIDE (MOTORCYCLE DRIVER)	1 - NOT DEPLOYED
2 - SUSPECTED SERIOUS INJURY	2 - SHOULDER BELT ONLY USED	2 - FRONT - MIDDLE	2 - DEPLOYED FRONT
3 - SUSPECTED MINOR INJURY	3 - LAP BELT ONLY USED	3 - FRONT - RIGHT SIDE	3 - DEPLOYED SIDE
4 - POSSIBLE INJURY	4 - SHOULDER & LAP BELT USED	4 - SECOND - LEFT SIDE (MOTORCYCLE PASSENGER)	4 - DEPLOYED BOTH FRONT/SIDE
5 - NO APPARENT INJURY	5 - CHILD RESTRAINT SYSTEM - FORWARD FACING	5 - SECOND - MIDDLE	5 - NOT APPLICABLE
	6 - CHILD RESTRAINT SYSTEM - REAR FACING	6 - SECOND - RIGHT SIDE	9 - DEPLOYMENT UNKNOWN
	7 - BOOSTER SEAT	7 - THIRD - LEFT SIDE (MOTORCYCLE SIDE CAR)	
	8 - HELMET USED	8 - THIRD - MIDDLE	
	9 - PROTECTIVE PADS USED (ELBOW, KNEES, ETC.)	9 - THIRD - RIGHT SIDE	
	10 - REFLECTIVE CLOTHING	10 - SLEEPER SECTION OF TRUCK CAB	
	11 - LIGHTING - PEDESTRIAN / BICYCLE ONLY	11 - PASSENGER IN OTHER ENCLOSED CARGO AREA (NON-TRAILING UNIT, BUS, PICK-UP WITH CAP)	
	99 - OTHER / UNKNOWN	12 - PASSENGER IN UNENCLOSED CARGO AREA	
		13 - TRAILING UNIT	
		14 - RIDING ON VEHICLE EXTERIOR (NON-TRAILING UNIT)	
		15 - NON-MOTORIST	
		99 - OTHER / UNKNOWN	

WITNESS	NAME: LAST, FIRST, MIDDLE	DATE OF BIRTH	AGE	GENDER
ADDRESS: STREET, CITY, STATE, ZIP			CONTACT PHONE - INCLUDE AREA CODE	

WITNESS	NAME: LAST, FIRST, MIDDLE	DATE OF BIRTH	AGE	GENDER
ADDRESS: STREET, CITY, STATE, ZIP			CONTACT PHONE - INCLUDE AREA CODE	

WITNESS	NAME: LAST, FIRST, MIDDLE	DATE OF BIRTH	AGE	GENDER
ADDRESS: STREET, CITY, STATE, ZIP			CONTACT PHONE - INCLUDE AREA CODE	

LOCAL REPORT NUMBER
000190004086

UNIT # **01** OWNER NAME: LAST, FIRST, MIDDLE, NAME AS DRIVER
OWNER PHONE: INCLUDE AREA CODE NAME AS DRIVER

OWNER ADDRESS: STREET, CITY, STATE, ZIP [] SAVE AS DRIVER

COMMERCIAL CARRIER: NAME, ADDRESS, CITY, STATE, ZIP COMMERCIAL CARRIER PHONE: INCLUDE AREA CODE

DAMAGE

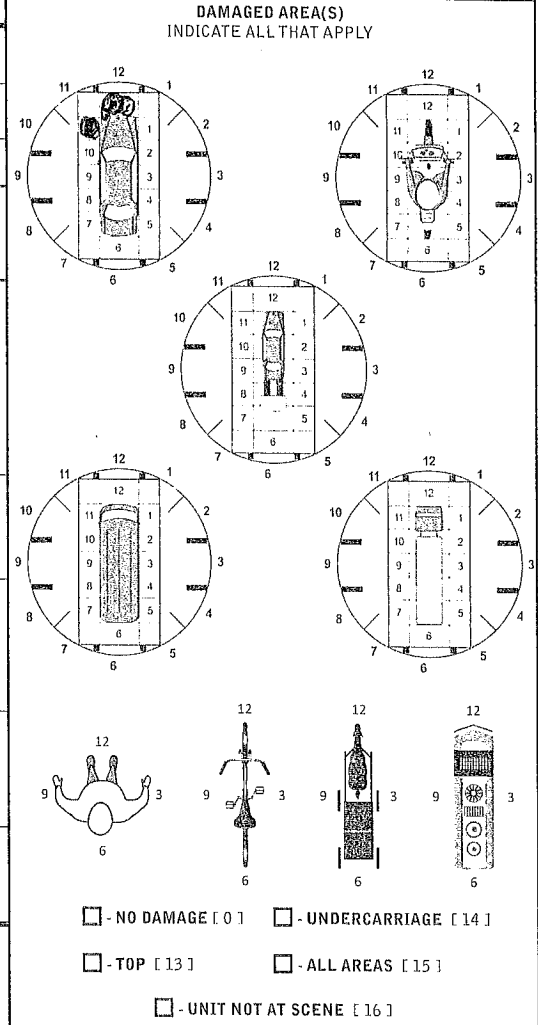
DAMAGE SCALE
2 1 - NONE 3 - FUNCTIONAL DAMAGE
2 - MINOR DAMAGE 4 - DISABLING DAMAGE
9 - UNKNOWN

LP STATE **OH** LICENSE PLATE # **6KL1884** VEHICLE IDENTIFICATION # **2G7W55AT221206816** VEHICLE YEAR **2002** VEHICLE MAKE **Buick**

INSURANCE VERIFIED INSURANCE COMPANY **Geico** INSURANCE POLICY # **2006182592** COLOR **Silver** VEHICLE MODEL **Century**

COMMERCIAL GOVERNMENT IN EMERGENCY RESPONSE TYPE OF USE US DOT # TOWED BY: COMPANY NAME

INTERLOCK DEVICE EQUIPPED HIT/SKIP UNIT #OCCUPANTS **1** VEHICLE WEIGHT GVWR/GCWR 1 - <10K LBS. 2 - 10,001 - 26K LBS. 3 - >26K LBS. HAZARDOUS MATERIAL MATERIAL RELEASED PLACARD CLASS # PLACARD ID #



UNIT TYPE
1 - PASSENGER CAR 7 - MOTORCYCLE 2-WHEELED 12 - GOLF CART 18 - LIMO (LIVERY VEHICLE) 23 - PEDESTRIAN / SKATER
2 - PASSENGER VAN (MINIVAN) 8 - MOTORCYCLE 3-WHEELED 13 - SNOWMOBILE 19 - BUS (16+ PASSENGERS) 24 - WHEELCHAIR (ANY TYPE)
3 - SPORT UTILITY VEHICLE 9 - AUTOCYCLE 14 - SINGLE UNIT TRUCK 20 - OTHER VEHICLE 25 - OTHER NON-MOTORIST
4 - PICK UP 10 - HOPED OR MOTORIZED BICYCLE 15 - SEMI-TRACTOR 21 - HEAVY EQUIPMENT 26 - BICYCLE
5 - CARGO VAN 11 - ALL TERRAIN VEHICLE (ATV / UTV) 16 - FARM EQUIPMENT 22 - ANIMAL WITH RIDER OR ANIMAL-DRAWN VEHICLE 27 - TRAIN
6 - VAN (9-15 SEATS) 17 - MOTORHOME 99 - UNKNOWN OR HIT/SKIP

OF TRAILING UNITS

WAS VEHICLE OPERATING IN AUTONOMOUS MODE WHEN CRASH OCCURRED? 0 - NO AUTOMATION 3 - CONDITIONAL AUTOMATION 9 - UNKNOWN
1 - YES 2 - NO 9 - OTHER / UNKNOWN 1 - DRIVER ASSISTANCE 4 - HIGH AUTOMATION 2 - PARTIAL AUTOMATION 5 - FULL AUTOMATION

SPECIAL FUNCTION
1 - NONE 6 - BUS - CHARTER/TOUR 11 - FIRE 16 - FARM 21 - MAIL CARRIER
2 - TAXI 7 - BUS - INTERCITY 12 - MILITARY 17 - MOWING 99 - OTHER / UNKNOWN
3 - ELECTRONIC RIDE SHARING 8 - BUS - SHUTTLE 13 - POLICE 18 - SNOW REMOVAL
4 - SCHOOL TRANSPORT 9 - BUS - OTHER 14 - PUBLIC UTILITY 19 - TOWING
5 - BUS - TRANSIT/COMMUTER 10 - AMBULANCE 15 - CONSTRUCTION EQUIPMENT 20 - SAFETY SERVICE PATROL

CARGO BODY TYPE
1 - NO CARGO BODY TYPE / NOT APPLICABLE 3 - VEHICLE TOWING ANOTHER MOTOR VEHICLE 5 - INTERMODAL CONTAINER CHASSIS 8 - POLE 12 - CONCRETE MIXER
2 - BUS 4 - LOGGING 6 - CARGO VAN/ENCLOSED BOX 9 - CARGO TANK 13 - AUTO TRANSPORTER
7 - GRAIN/CHIPS/GRAVEL 10 - FLAT BED 14 - GARBAGE/REFUSE 99 - OTHER / UNKNOWN

VEHICLE DEFECTS
1 - TURN SIGNALS 4 - BRAKES 7 - WORN OR SLICK TIRES 9 - MOTOR TROUBLE 99 - OTHER / UNKNOWN
2 - HEAD LAMPS 5 - STEERING 8 - TRAILER EQUIPMENT DEFECTIVE 10 - DISABLED FROM PRIOR ACCIDENT
3 - TAIL LAMPS 6 - TIRE BLOWOUT

NON-MOTORIST LOCATION AT IMPACT
1 - INTERSECTION - MARKED CROSSWALK 3 - INTERSECTION - OTHER 6 - BICYCLE LANE 9 - MEDIAN/CROSSING ISLAND 12 - FIRST RESPONDER AT INCIDENT SCENE
2 - INTERSECTION - UNMARKED CROSSWALK 4 - MIDDLEBLOCK - MARKED CROSSWALK 7 - SHOULDER / ROADSIDE 10 - DRIVEWAY ACCESS 99 - OTHER / UNKNOWN
5 - TRAVEL LANE - OTHER LOCATION 8 - SIDEWALK 11 - SHARED USE PATHS OR TRAILS

ACTION
1 - NON-CONTACT 1 - STRAIGHT AHEAD 7 - MAKING U-TURN 13 - NEGOTIATING A CURVE 18 - APPROACHING OR LEAVING VEHICLE
2 - NON-COLLISION 2 - BACKING 8 - ENTERING TRAFFIC LANE 14 - ENTERING OR CROSSING SPECIFIED LOCATION 19 - STANDING
3 - STRIKING 3 - CHANGING LANES 9 - LEAVING TRAFFIC LANE 15 - WALKING, RUNNING, JOGGING, PLAYING 20 - OTHER NON-MOTORIST
4 - STRUCK PRE-CRASH ACTIONS 4 - OVERTAKING/PASSING 10 - PARKED 11 - SLOWING OR STOPPED IN TRAFFIC 16 - WORKING 21 - STANDING OUTSIDE DISABLED VEHICLE
5 - BOTH STRIKING & STRUCK 5 - MAKING RIGHT TURN 11 - SLOWING OR STOPPED IN TRAFFIC 16 - WORKING 21 - STANDING OUTSIDE DISABLED VEHICLE
9 - OTHER / UNKNOWN 6 - MAKING LEFT TURN 12 - DRIVERLESS 17 - PUSHING VEHICLE 99 - OTHER / UNKNOWN

CONTRIBUTING CIRCUMSTANCES
1 - NONE 7 - LEFT OF CENTER 13 - IMPROPER START FROM A PARKED POSITION 17 - VISION OBSTRUCTION 21 - LYING IN ROADWAY
2 - FAILURE TO YIELD 8 - FOLLOWING TOO CLOSE / ACDA 18 - OPERATING DEFECTIVE EQUIPMENT 18 - OPERATING DEFECTIVE EQUIPMENT 22 - NOT DISCERNIBLE
3 - RAN RED LIGHT 9 - IMPROPER LANE CHANGE 14 - STOPPED OR PARKED ILLEGALLY 19 - LOAD SHIFTING/FALLING/SPILLING 23 - OPENING DOOR INTO ROADWAY
4 - RAN STOP SIGN 10 - IMPROPER PASSING 15 - SWERVING TO AVOID 20 - IMPROPER CROSSING 99 - OTHER IMPROPER ACTION
5 - UNSAFE SPEED 11 - DROVE OFF ROAD 16 - WRONG WAY
6 - IMPROPER TURN 12 - IMPROPER BACKING

TRAFFICWAY FLOW
2 1 - ONE-WAY
2 - TWO-WAY

TRAFFIC CONTROL
6 1 - ROUNDABOUT 4 - STOP SIGN
2 - SIGNAL 5 - YIELD SIGN
3 - FLASHER 6 - NO CONTROL

OF THROUGH LANES ON ROAD **2** RAIL GRADE CROSSING
1 1 - NOT INVOLVED
2 - INVOLVED-ACTIVE CROSSING
3 - INVOLVED-PASSIVE CROSSING

SEQUENCE OF EVENTS
1 **11** 1 - OVERTURN/ROLLOVER 6 - EQUIPMENT FAILURE 11 - CROSS CENTERLINE - OPPOSITE DIRECTION OF TRAVEL 16 - RAILWAY VEHICLE 22 - WORK ZONE MAINTENANCE EQUIPMENT
2 **20** 2 - FIRE/EXPLOSION 7 - SEPARATION OF UNITS 8 - RAN OFF ROAD RIGHT 17 - ANIMAL - FARM 18 - ANIMAL - DEER 23 - STRUCK BY FALLING, SHIFTING CARGO OR ANYTHING SET IN MOTION BY A MOTOR VEHICLE
3 4 - JACKKNIFE 9 - RAN OFF ROAD LEFT 12 - DOWNHILL RUNAWAY 19 - ANIMAL - OTHER 20 - MOTOR VEHICLE IN TRANSPORT 24 - OTHER MOVABLE OBJECT
5 - CARGO / EQUIPMENT LOSS OR SHIFT 10 - CROSS MEDIAN 13 - OTHER NON-COLLISION 14 - PEDESTRIAN 15 - PEDALCYCLE 21 - PARKED MOTOR VEHICLE

UNIT / NON-MOTORIST DIRECTION
FROM **2** TO **1**
1 - NORTH 5 - NORTHEAST
2 - SOUTH 6 - NORTHWEST
3 - EAST 7 - SOUTHEAST
4 - WEST 8 - SOUTHWEST
9 - OTHER / UNKNOWN

COLLISION WITH FIXED OBJECT - STRUCK
25 - IMPACT ATTENUATOR / CRASH CUSHION 31 - GUARDRAIL END 37 - TRAFFIC SIGN POST 43 - CURB 50 - WORK ZONE MAINTENANCE EQUIPMENT
26 - BRIDGE OVERHEAD STRUCTURE 32 - PORTABLE BARRIER 38 - OVERHEAD SIGN POST 44 - DITCH 51 - WALL
27 - BRIDGE PIER OR ADJUTMENT BARRIER 33 - MEDIAN CABLE BARRIER 39 - LIGHT / LUMINARIES SUPPORT 45 - EMBANKMENT 52 - BUILDING
28 - BRIDGE PARAPET 34 - MEDIAN GUARDRAIL BARRIER 40 - UTILITY POLE 46 - FENCE 53 - TUNNEL
29 - BRIDGE RAIL 35 - MEDIAN CONCRETE BARRIER 41 - OTHER POST, POLE OR SUPPORT 47 - MAILBOX 54 - OTHER FIXED OBJECT
30 - GUARDRAIL FACE 36 - MEDIAN OTHER BARRIER 42 - CULVERT 48 - TREE 55 - OTHER / UNKNOWN 49 - FIRE HYDRANT

FIRST HARMFUL EVENT **1** MOST HARMFUL EVENT **2**

UNIT SPEED **15** DETECTED SPEED **1**
1 - STATED / ESTIMATED SPEED
2 - CALCULATED / EDR
3 - UNDETERMINED

POSTED SPEED **55**

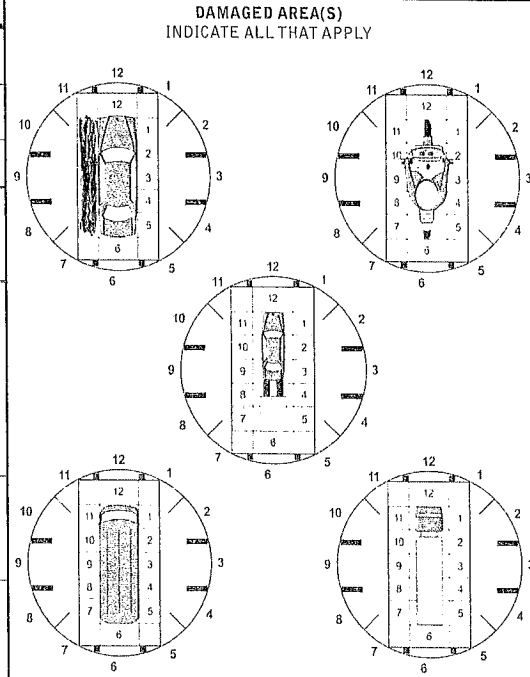
LOCAL REPORT NUMBER
 000190004086

UNIT # 012 OWNER NAME: LAST, FIRST, MIDDLE SAME AS DRIVER
Bailey, Zebadiah E. OWNER PHONE: INCLUDE AREA CODE MP NAME AS DRIVER
 OWNER ADDRESS: STREET, CITY, STATE, ZIP PO NAME AS DRIVER

DAMAGE
 DAMAGE SCALE
2 1 - NONE 3 - FUNCTIONAL DAMAGE
 2 - MINOR DAMAGE 4 - DISABLING DAMAGE
 9 - UNKNOWN

COMMERCIAL CARRIER: NAME, ADDRESS, CITY, STATE, ZIP
 COMMERCIAL CARRIER PHONE: INCLUDE AREA CODE

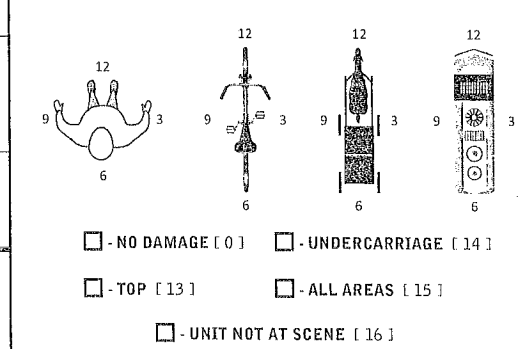
LP STATE OH LICENSE PLATE # 1092EL VEHICLE IDENTIFICATION # 2HGCS26701H348E1S VEHICLE YEAR 2001 VEHICLE MAKE Honda
 INSURANCE VERIFIED INSURANCE COMPANY Statefarm INSURANCE POLICY # 9851998 D0135 COLOR SILVER VEHICLE MODEL CR10C
 COMMERCIAL GOVERNMENT IN EMERGENCY RESPONSE
 INTERLOCK DEVICE EQUIPPED HIT/SKIP UNIT #OCCUPANTS VEHICLE WEIGHT GVWR/GCWR
 MATERIAL RELEASED CLASS # PLACARD ID #
 PLACARD



UNIT TYPE
 1 - PASSENGER CAR 7 - MOTORCYCLE 2-WHEELED 12 - GOLF CART 18 - LIMO (LIVERY VEHICLE) 23 - PEDESTRIAN / SKATER
 2 - PASSENGER VAN (MINIVAN) 8 - MOTORCYCLE 3-WHEELED 13 - SNOWMOBILE 19 - BUS (16+ PASSENGERS) 24 - WHEELCHAIR (ANY TYPE)
 3 - SPORT UTILITY VEHICLE 9 - AUTOCYCLE 14 - SINGLE UNIT TRUCK 20 - OTHER VEHICLE 25 - OTHER NON-MOTORIST
 4 - PICK UP 10 - MOPED OR MOTORIZED BICYCLE 15 - SEMI-TRACTOR 21 - HEAVY EQUIPMENT 26 - BICYCLE
 5 - CARGO VAN 11 - ALL TERRAIN VEHICLE (ATV / UTV) 16 - FARM EQUIPMENT 22 - ANIMAL WITH RIDER OR ANIMAL-DRAWN VEHICLE 27 - TRAIN
 6 - VAN (9-15 SEATS) 17 - MOTORHOME 99 - UNKNOWN OR HITSKIP

OF TRAILING UNITS

WAS VEHICLE OPERATING IN AUTONOMOUS MODE WHEN CRASH OCCURRED?
2 1 - YES 2 - NO 9 - OTHER / UNKNOWN AUTONOMOUS MODE LEVEL
 0 - NO AUTOMATION 3 - CONDITIONAL AUTOMATION 9 - UNKNOWN
 1 - DRIVER ASSISTANCE 4 - HIGH AUTOMATION
 2 - PARTIAL AUTOMATION 5 - FULL AUTOMATION



SPECIAL FUNCTION
 1 - NONE 6 - BUS - CHARTER/TOUR 11 - FIRE 16 - FARM 21 - MAIL CARRIER
 2 - TAXI 7 - BUS - INTERCITY 12 - MILITARY 17 - MOWING 22 - OTHER / UNKNOWN
 3 - ELECTRONIC RIDE SHARING 8 - BUS - SHUTTLE 13 - POLICE 18 - SNOW REMOVAL
 4 - SCHOOL TRANSPORT 9 - BUS - OTHER 14 - PUBLIC UTILITY 19 - TOWING
 5 - BUS - TRANSIT/COMMUTER 10 - AMBULANCE 15 - CONSTRUCTION EQUIPMENT 20 - SAFETY SERVICE PATROL

CARGO BODY TYPE
 1 - NO CARGO BODY TYPE / NOT APPLICABLE 3 - VEHICLE TOWING ANOTHER MOTOR VEHICLE 5 - INTERMODAL CONTAINER CHASSIS 8 - POLE 12 - CONCRETE MIXER
 2 - BUS 4 - LOGGING 6 - CARGO VAN/ENCLOSED BOX 9 - CARGO TANK 13 - AUTO TRANSPORTER
 7 - GRAINCHIPS/GRAVEL 10 - FLAT BED 14 - GARBAGE/REFUSE 99 - OTHER / UNKNOWN

VEHICLE DEFECTS
 1 - TURN SIGNALS 4 - BRAKES 7 - WORN OR SLICK TIRES 9 - MOTOR TROUBLE 99 - OTHER / UNKNOWN
 2 - HEAD LAMPS 5 - STEERING 8 - TRAILER EQUIPMENT DEFECTIVE 10 - DISABLED FROM PRIOR ACCIDENT
 3 - TAIL LAMPS 6 - TIRE BLOWOUT

NON-MOTORIST LOCATION AT IMPACT
 1 - INTERSECTION - MARKED CROSSWALK 3 - INTERSECTION - OTHER 6 - BICYCLE LANE 9 - MEDIAN/CROSSING ISLAND 12 - FIRST RESPONDER AT INCIDENT SCENE
 2 - INTERSECTION - UNMARKED CROSSWALK 4 - MIDBLOCK - MARKED CROSSWALK 7 - SHOULDER / ROADSIDE 10 - DRIVEWAY ACCESS
 5 - TRAVEL LANE - OTHER LOCATION 8 - SIDEWALK 11 - SHARED USE PATHS OR TRAILS 99 - OTHER / UNKNOWN

ACTION
 1 - NON-CONTACT 1 - STRAIGHT AHEAD 7 - MAKING U-TURN 13 - NEGOTIATING A CURVE 18 - APPROACHING OR LEAVING VEHICLE
 2 - NON-COLLISION 2 - BACKING 8 - ENTERING TRAFFIC LANE 14 - ENTERING OR CROSSING SPECIFIED LOCATION 19 - STANDING
 3 - STRIKING 3 - CHANGING LANES 9 - LEAVING TRAFFIC LANE 15 - WALKING, RUNNING, JOGGING, PLAYING 20 - OTHER NON-MOTORIST
 4 - STRUCK PRE-CRASH ACTIONS 4 - OVERTAKING/PASSING 10 - PARKED 11 - SLOWING OR STOPPED IN TRAFFIC 16 - WORKING 21 - STANDING OUTSIDE DISABLED VEHICLE
 5 - BOTH STRIKING & STRUCK 5 - MAKING RIGHT TURN 11 - SLOWING OR STOPPED IN TRAFFIC 16 - WORKING 21 - STANDING OUTSIDE DISABLED VEHICLE
 9 - OTHER / UNKNOWN 6 - MAKING LEFT TURN 12 - DRIVERLESS 17 - PUSHING VEHICLE 99 - OTHER / UNKNOWN

INITIAL POINT OF CONTACT
 0 - NO DAMAGE 14 - UNDERCARRIAGE
1-12 1-12 - REFER TO UNIT DIAGRAM 15 - VEHICLE NOT AT SCENE
 13 - TOP 99 - UNKNOWN

CONTRIBUTING CIRCUMSTANCES
 1 - NONE 7 - LEFT OF CENTER 13 - IMPROPER START FROM A PARKED POSITION 17 - VISION OBSTRUCTION 21 - LYING IN ROADWAY
 2 - FAILURE TO YIELD 8 - FOLLOWING TOO CLOSE / ACDA 14 - STOPPED OR PARKED ILLEGALLY 18 - OPERATING DEFECTIVE EQUIPMENT 22 - NOT DISCRIBIBLE
 3 - RAN RED LIGHT 9 - IMPROPER LANE CHANGE 15 - SWERVING TO AVOID 19 - LOAD SHIFTING/FALLING/SPILLING 23 - OPENING DOOR INTO ROADWAY
 4 - RAN STOP SIGN 10 - IMPROPER PASSING 16 - WRONG WAY 20 - IMPROPER CROSSING 99 - OTHER IMPROPER ACTION
 5 - UNSAFE SPEED 11 - DROVE OFF ROAD
 6 - IMPROPER TURN 12 - IMPROPER BACKING

TRAFFICWAY FLOW
2 1 - ONE-WAY 2 - TWO-WAY

TRAFFIC CONTROL
6 1 - ROUNDABOUT 4 - STOP SIGN
 2 - SIGNAL 5 - YIELD SIGN
 3 - FLASHER 6 - NO CONTROL

SEQUENCE OF EVENTS
1 2 0 1 - OVERTURN/ROLLOVER 6 - EQUIPMENT FAILURE 11 - CROSS CENTERLINE - OPPOSITE DIRECTION OF TRAVEL 16 - RAILWAY VEHICLE 22 - WORK ZONE MAINTENANCE EQUIPMENT
 2 - FIRE/EXPLOSION 7 - SEPARATION OF UNITS 17 - ANIMAL - FARM 23 - STRUCK BY FALLING, SHIFTING CARGO OR ANYTHING SET IN MOTION BY A MOTOR VEHICLE
 3 - IMMERSION 8 - RAN OFF ROAD RIGHT 18 - ANIMAL - DEER 20 - MOTOR VEHICLE IN TRANSPORT 24 - OTHER MOVABLE OBJECT
 4 - JACKKNIFE 9 - RAN OFF ROAD LEFT 19 - ANIMAL - OTHER 21 - PARKED MOTOR VEHICLE
 5 - CARGO / EQUIPMENT LOSS OR SHIFT 10 - CROSS MEDIAN 14 - PEDESTRIAN 15 - PEDALCYCLE

OF THROUGH LANES ON ROAD 2

RAIL GRADE CROSSING
1 1 - NOT INVOLVED
 2 - INVOLVED-ACTIVE CROSSING
 3 - INVOLVED-PASSIVE CROSSING

COLLISION WITH FIXED OBJECT - STRUCK
 25 - IMPACT ATTENUATOR / CRASH CUSHION 31 - GUARDRAIL END 37 - TRAFFIC SIGN POST 43 - CURB
 26 - BRIDGE OVERHEAD STRUCTURE 32 - PORTABLE BARRIER 38 - OVERHEAD SIGN POST 44 - DITCH
 27 - BRIDGE PIER OR ABUTMENT 33 - MEDIAN CABLE BARRIER 39 - LIGHT / LUMINARIES SUPPORT 45 - EMBANKMENT
 28 - BRIDGE PARAPET 34 - MEDIAN GUARDRAIL BARRIER 40 - UTILITY POLE 46 - FENCE
 29 - BRIDGE RAIL 35 - MEDIAN CONCRETE BARRIER 41 - OTHER POST, POLE OR SUPPORT 47 - MAILBOX
 30 - GUARDRAIL FACE 36 - MEDIAN OTHER BARRIER 42 - CULVERT 48 - TREE
 49 - FIRE HYDRANT

FIRST HARMFUL EVENT 1 MOST HARMFUL EVENT 1

UNIT / NON-MOTORIST DIRECTION
 FROM 1 TO 2
 1 - NORTH 5 - NORTHEAST
 2 - SOUTH 6 - NORTHWEST
 3 - EAST 7 - SOUTHEAST
 4 - WEST 8 - SOUTHWEST
 9 - OTHER / UNKNOWN

UNIT SPEED
1 5

POSTED SPEED
5 5

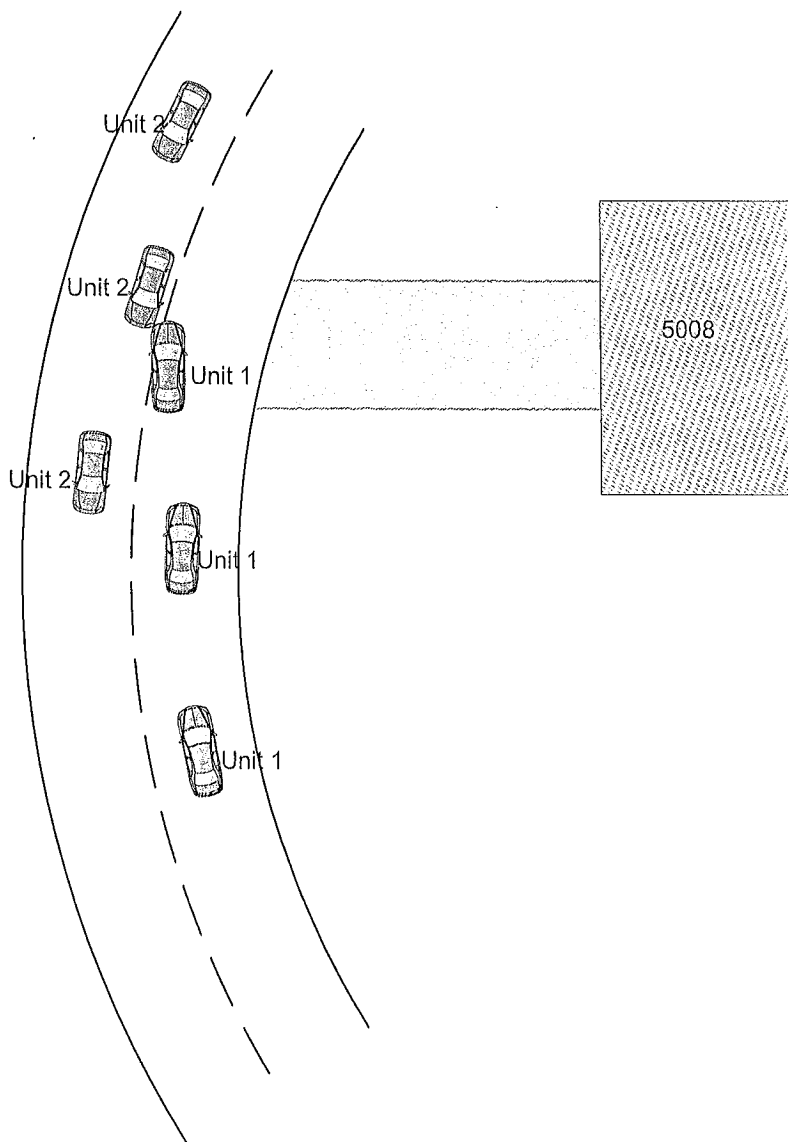
DETECTED SPEED
1 1 - STATED / ESTIMATED SPEED
 2 - CALCULATED / EDR
 3 - UNDETERMINED

Case Number: 000190004086

Date: 1/30/2019

Location: 5008 State Route 133

Description:



Not To Scale