

TRAFFIC CRASH REPORT

*DENOTES MANDATORY FIELD FOR SUPPLEMENT REPORT

LOCAL REPORT NUMBER*

<input checked="" type="checkbox"/> PHOTOS TAKEN <input type="checkbox"/> SECONDARY CRASH <input checked="" type="checkbox"/> PRIVATE PROPERTY		LOCAL INFORMATION REPORTING AGENCY NAME* <i>Clermont County Sheriff</i>		NCIC* <i>01300</i>		HIT/SKIP 1 - SOLVED 2 - UNSOLVED		NUMBER OF UNITS <i>02</i>		UNIT IN ERROR 98 - ANIMAL 99 - UNKNOWN	
--	--	---	--	-----------------------	--	--	--	------------------------------	--	--	--

000190004358

COUNTY* <i>13</i>	LOCALITY* 1 - CITY 2 - VILLAGE 3 - TOWNSHIP <i>3</i>	LOCATION: CITY, VILLAGE, TOWNSHIP* <i>Batavia</i>	CRASH DATE / TIME* <i>02/01/2019/1200</i>	CRASH SEVERITY 1 - FATAL 2 - SERIOUS INJURY SUSPECTED 3 - MINOR INJURY SUSPECTED 4 - INJURY POSSIBLE 5 - PROPERTY DAMAGE ONLY <i>5</i>
----------------------	--	--	--	--

ROUTE TYPE	ROUTE NUMBER	PREFIX	1 - NORTH 2 - SOUTH 3 - EAST 4 - WEST	LOCATION ROAD NAME <i>Founders</i>	ROAD TYPE <i>BL</i>	LATITUDE DECIMAL DEGREES <i>39.063094</i>
------------	--------------	--------	--	---------------------------------------	------------------------	--

ROUTE TYPE	ROUTE NUMBER	PREFIX	1 - NORTH 2 - SOUTH 3 - EAST 4 - WEST	REFERENCE ROAD NAME (ROAD, MILEPOST, HOUSE #) <i>4101</i>	ROAD TYPE	LONGITUDE DECIMAL DEGREES <i>-84.238544</i>
------------	--------------	--------	--	--	-----------	--

REFERENCE POINT 1 - INTERSECTION 2 - MILE POST 3 - HOUSE # <i>3</i>	DIRECTION FROM REFERENCE 1 - NORTH 2 - SOUTH 3 - EAST 4 - WEST <i>1</i>	ROUTE TYPE IR - INTERSTATE ROUTE (TP) US - FEDERAL US ROUTE SR - STATE ROUTE CR - NUMBERED COUNTY ROUTE TR - NUMBERED TOWNSHIP ROUTE	ROAD TYPE AL - ALLEY AV - AVENUE BL - BOULEVARD CR - CIRCLE CT - COURT DR - DRIVE HE - HEIGHTS	ROAD TYPE HW - HIGHWAY LA - LANE MP - MILEPOST OV - OVAL PK - PARKWAY PI - PIKE PL - PLACE	RD - ROAD SQ - SQUARE ST - STREET TE - TERRACE TL - TRAIL WA - WAY	INTERSECTION RELATED <input type="checkbox"/> WITHIN INTERSECTION OR ON APPROACH <input type="checkbox"/> WITHIN INTERCHANGE AREA NUMBER OF APPROACHES
DISTANCE FROM REFERENCE	DISTANCE UNIT OF MEASURE 1 - MILES 2 - FEET 3 - YARDS	ROADWAY <input type="checkbox"/> ROADWAY DIVIDED				

LOCATION OF FIRST HARMFUL EVENT 1 - ON ROADWAY 2 - ON SHOULDER 3 - IN MEDIAN 4 - ON ROADSIDE 5 - ON GORE 6 - OUTSIDE TRAFFIC WAY 7 - ON RAMP 8 - OFF RAMP <i>6</i>	9 - CROSSOVER 10 - DRIVEWAY/ALLEY ACCESS 11 - RAILWAY GRADE CROSSING 12 - SHARED USE PATHS OR TRAILS 13 - BIKE LANE 14 - TOLL BOOTH 99 - OTHER / UNKNOWN	MANNER OF CRASH COLLISION/IMPACT 1 - NOT COLLISION BETWEEN TWO MOTOR VEHICLES IN TRANSPORT 2 - REAR-END 3 - HEAD-ON <i>2</i>	4 - REAR-TO-REAR 5 - BACKING 6 - ANGLE 7 - SIDESWIPE, SAME DIRECTION 8 - SIDESWIPE, OPPOSITE DIRECTION 9 - OTHER / UNKNOWN	DIRECTION OF TRAVEL 1 - NORTH 2 - SOUTH 3 - EAST 4 - WEST <i>1</i>	MEDIAN TYPE 1 - DIVIDED FLUSH MEDIAN (<4 FEET) 2 - DIVIDED FLUSH MEDIAN (≥4 FEET) 3 - DIVIDED, DEPRESSED MEDIAN 4 - DIVIDED, RAISED MEDIAN (ANY TYPE) 9 - OTHER/UNKNOWN
---	--	--	---	---	--

<input type="checkbox"/> WORK ZONE RELATED <input type="checkbox"/> WORKERS PRESENT <input type="checkbox"/> LAW ENFORCEMENT PRESENT <input type="checkbox"/> ACTIVE SCHOOL ZONE	WORK ZONE TYPE 1 - LANE CLOSURE 2 - LANE SHIFT/CROSSOVER 3 - WORK ON SHOULDER OR MEDIAN 4 - INTERMITTENT OR MOVING WORK 5 - OTHER	LOCATION OF CRASH IN WORK ZONE 1 - BEFORE THE 1ST WORK ZONE WARNING SIGN 2 - ADVANCE WARNING AREA 3 - TRANSITION AREA 4 - ACTIVITY AREA 5 - TERMINATION AREA	CONTOUR <i>1</i>	CONDITIONS <i>2</i>	SURFACE <i>2</i>
---	--	---	---------------------	------------------------	---------------------

LIGHT CONDITION 1 - DAYLIGHT 2 - DAWN/DUSK 3 - DARK - LIGHTED ROADWAY 4 - DARK - ROADWAY NOT LIGHTED 5 - DARK - UNKNOWN ROADWAY LIGHTING 9 - OTHER / UNKNOWN <i>1</i>	WEATHER 1 - CLEAR 2 - CLOUDY 3 - FOG, SMOG, SMOKE 4 - RAIN 5 - SLEET, HAIL <i>2</i>	6 - SNOW 7 - SEVERE CROSSWINDS 8 - BLOWING SAND, SOIL, DIRT, SNOW 9 - FREEZING RAIN OR FREEZING DRIZZLE 99 - OTHER / UNKNOWN	1 - STRAIGHT LEVEL 2 - STRAIGHT GRADE 3 - CURVE LEVEL 4 - CURVE GRADE 9 - OTHER/UNKNOWN	1 - DRY 2 - WET 3 - SNOW 4 - ICE 5 - SAND, MUD, DIRT, OIL, GRAVEL 6 - WATER (STANDING, MOVING) 7 - SLUSH 9 - OTHER/UNKNOWN	1 - CONCRETE 2 - BLACKTOP, BITUMINOUS, ASPHALT 3 - BRICK/BLOCK 4 - SLAG, GRAVEL, STONE 5 - DIRT 9 - OTHER/UNKNOWN
--	---	--	---	---	--

NARRATIVE

unit #1 was backing up and did not see unit #2. unit #1 backed into unit #2 causing minor damage

CRASH REPORTED DATE / TIME <i>02/01/2019/1200</i>	DISPATCH DATE / TIME <i>02/01/2019/1208</i>	ARRIVAL DATE / TIME <i>02/01/2019/1220</i>	SCENE CLEARED DATE / TIME <i>02/01/2019/1305</i>	REPORT TAKEN BY <input checked="" type="checkbox"/> POLICE AGENCY <input type="checkbox"/> MOTORIST <input type="checkbox"/> SUPPLEMENT (CORRECTION OR ADDITION TO AN EXISTING REPORT SENT TO OOPS)
TOTAL TIME ROADWAY CLOSED	OTHER INVESTIGATION TIME	TOTAL MINUTES <i>65</i>	OFFICER'S NAME* <i>Dep J.S. Rudd</i>	CHECKED BY OFFICER'S NAME*
			OFFICER'S BADGE NUMBER* <i>3052</i>	CHECKED BY OFFICER'S BADGE NUMBER*



MOTORIST / Non-MOTORIST

LOCAL REPORT NUMBER
000190004358

UNIT # 01	NAME: LAST, FIRST, MIDDLE LOVINS, William G.	DATE OF BIRTH 12/21/1980	AGE 38	GENDER M
ADDRESS: STREET, CITY, STATE, ZIP 50 Hummingbird way Amelia, Oh. 45102		CONTACT PHONE - INCLUDE AREA CODE		
INJURIES TAKEN BY 5	EMS AGENCY (NAME)	INJURED TAKEN TO: MEDICAL FACILITY (NAME, CITY)	SAFETY EQUIPMENT USED 4	<input type="checkbox"/> DOT-COMPLIANT MC HELMET
SEATING POSITION 1	AIR BAG USAGE 1	EJECTION 1	TRAPPED 1	
OL STATE OH	OPERATOR LICENSE NUMBER RX391188	OFFENSE CHARGED	LOCAL CODE <input type="checkbox"/>	OFFENSE DESCRIPTION
CITATION NUMBER				
OL CLASS 4	ENDORSEMENT SELECT UP TO 2	RESTRICTION SELECT UP TO 3	DRIVER DISTRACTED BY 1	ALCOHOL / DRUG SUSPECTED <input type="checkbox"/> ALCOHOL <input type="checkbox"/> MARIJUANA <input type="checkbox"/> OTHER DRUG
CONDITION 1	ALCOHOL TEST STATUS TYPE VALUE 1 1 .		DRUG TEST(S) STATUS TYPE RESULT SELECT UP TO 4 1 1 .	

UNIT # 02	NAME: LAST, FIRST, MIDDLE ROBERTS, AUSTEN B	DATE OF BIRTH 10/4/1992	AGE 26	GENDER M
ADDRESS: STREET, CITY, STATE, ZIP 110 Center St. #2 Florence, KY 41092		CONTACT PHONE - INCLUDE AREA CODE		
INJURIES TAKEN BY 5	EMS AGENCY (NAME)	INJURED TAKEN TO: MEDICAL FACILITY (NAME, CITY)	SAFETY EQUIPMENT USED 4	<input type="checkbox"/> DOT-COMPLIANT MC HELMET
SEATING POSITION 1	AIR BAG USAGE 1	EJECTION 1	TRAPPED 1	
OL STATE KY	OPERATOR LICENSE NUMBER R10071108	OFFENSE CHARGED	LOCAL CODE <input type="checkbox"/>	OFFENSE DESCRIPTION
CITATION NUMBER				
OL CLASS 4	ENDORSEMENT SELECT UP TO 2	RESTRICTION SELECT UP TO 3	DRIVER DISTRACTED BY	ALCOHOL / DRUG SUSPECTED <input type="checkbox"/> ALCOHOL <input type="checkbox"/> MARIJUANA <input type="checkbox"/> OTHER DRUG
CONDITION 1	ALCOHOL TEST STATUS TYPE VALUE 1 1 .		DRUG TEST(S) STATUS TYPE RESULT SELECT UP TO 4 1 1 .	

UNIT #	NAME: LAST, FIRST, MIDDLE	DATE OF BIRTH	AGE	GENDER
ADDRESS: STREET, CITY, STATE, ZIP		CONTACT PHONE - INCLUDE AREA CODE		
INJURIES TAKEN BY	EMS AGENCY (NAME)	INJURED TAKEN TO: MEDICAL FACILITY (NAME, CITY)	SAFETY EQUIPMENT USED	<input type="checkbox"/> DOT-COMPLIANT MC HELMET
SEATING POSITION	AIR BAG USAGE	EJECTION	TRAPPED	
OL STATE	OPERATOR LICENSE NUMBER	OFFENSE CHARGED	LOCAL CODE	OFFENSE DESCRIPTION
CITATION NUMBER				
OL CLASS	ENDORSEMENT SELECT UP TO 2	RESTRICTION SELECT UP TO 3	DRIVER DISTRACTED BY	ALCOHOL / DRUG SUSPECTED <input type="checkbox"/> ALCOHOL <input type="checkbox"/> MARIJUANA <input type="checkbox"/> OTHER DRUG
CONDITION	ALCOHOL TEST STATUS TYPE VALUE		DRUG TEST(S) STATUS TYPE RESULT SELECT UP TO 4	

INJURIES	SEATING POSITION	AIR BAG	OL CLASS	OL RESTRICTION(S)	DRIVER DISTRACTION	TEST STATUS
1 - FATAL	1 - FRONT - LEFT SIDE (MOTORCYCLE DRIVER)	1 - NOT DEPLOYED	1 - CLASS A	1 - ALCOHOL INTERLOCK DEVICE	1 - NOT DISTRACTED	1 - NONE GIVEN
2 - SUSPECTED SERIOUS INJURY	2 - FRONT - MIDDLE	2 - DEPLOYED FRONT	2 - CLASS B	2 - CDL INTRASTATE ONLY	2 - MANUALLY OPERATING AN ELECTRONIC COMMUNICATION DEVICE (TEXTING, TYPING, DIALING)	2 - TEST REFUSED
3 - SUSPECTED MINOR INJURY	3 - FRONT - RIGHT SIDE	3 - DEPLOYED SIDE	3 - CLASS C	3 - CORRECTIVE LENSES	3 - TALKING ON HANDS-FREE COMMUNICATION DEVICE	3 - TEST GIVEN, CONTAMINATED SAMPLE / UNUSABLE
4 - POSSIBLE INJURY	4 - SECOND - LEFT SIDE (MOTORCYCLE PASSENGER)	4 - DEPLOYED BOTH FRONT / SIDE	4 - REGULAR CLASS (OHIO=D)	4 - FARM WAIVER	4 - TALKING ON HAND-HELD COMMUNICATION DEVICE	4 - TEST GIVEN, RESULTS KNOWN
5 - NO APPARENT INJURY	5 - SECOND - MIDDLE	5 - NOT APPLICABLE	5 - MC MOPED ONLY	5 - EXCEPT CLASS A BUS	5 - OTHER ACTIVITY WITH AN ELECTRONIC DEVICE	5 - TEST GIVEN, RESULTS UNKNOWN
INJURED TAKEN BY	6 - SECOND - RIGHT SIDE	9 - DEPLOYMENT UNKNOWN	6 - NO VALID OL	6 - EXCEPT CLASS A & CLASS B BUS	6 - PASSENGER	ALCOHOL TEST TYPE
1 - NOT TRANSPORTED / TREATED AT SCENE	7 - THIRD - LEFT SIDE (MOTORCYCLE SIDE CAR)	EJECTION	OL ENDORSEMENT	7 - EXCEPT TRACTOR-TRAILER	7 - OTHER DISTRACTION INSIDE THE VEHICLE	1 - NONE
2 - EMS	8 - THIRD - MIDDLE	1 - NOT EJECTED	H - HAZMAT	8 - INTERMEDIATE LICENSE RESTRICTIONS	8 - OTHER DISTRACTION OUTSIDE THE VEHICLE	2 - BLOOD
3 - POLICE	9 - THIRD - RIGHT SIDE	2 - PARTIALLY EJECTED	M - MOTORCYCLE	9 - LEARNER'S PERMIT RESTRICTIONS	9 - OTHER / UNKNOWN	3 - URINE
9 - OTHER / UNKNOWN	10 - SLEEPER SECTION OF TRUCK CAB	3 - TOTALLY EJECTED	N - PASSENGER	10 - LIMITED TO DAYLIGHT ONLY	CONDITION	4 - BREATH
SAFETY EQUIPMENT	11 - PASSENGER IN OTHER ENCLOSED CARGO AREA (NON-TRAILING UNIT, BUS, PICK-UP WITH CAP)	4 - NOT APPLICABLE	P - TANKER	11 - LIMITED TO EMPLOYMENT	1 - APPARENTLY NORMAL	5 - OTHER
1 - NONE USED	12 - PASSENGER IN UNENCLOSED CARGO AREA	TRAPPED	Q - MOTOR SCOOTER	12 - LIMITED - OTHER	2 - PHYSICAL IMPAIRMENT	DRUG TEST TYPE
2 - SHOULDER BELT ONLY USED	13 - TRAILING UNIT	1 - NOT TRAPPED	R - THREE-WHEEL MOTORCYCLE	13 - MECHANICAL DEVICES (SPECIAL BRAKES, HAND CONTROLS, OR OTHER ADAPTIVE DEVICES)	3 - EMOTIONAL (E.G., DEPRESSED, ANGRY, DISTURBED)	1 - NONE
3 - LAP BELT ONLY USED	14 - RIDING ON VEHICLE EXTERIOR (NON-TRAILING UNIT)	2 - EXTRICATED BY MECHANICAL MEANS	S - SCHOOL BUS	14 - MILITARY VEHICLES ONLY	4 - ILLNESS	2 - BLOOD
4 - SHOULDER & LAP BELT USED	15 - NON-MOTORIST	3 - FREED BY NON-MECHANICAL MEANS	T - DOUBLE & TRIPLE TRAILERS	15 - MOTOR VEHICLES WITHOUT AIR BRAKES	5 - FELL ASLEEP, FAINTED, FATIGUED, ETC.	3 - URINE
5 - CHILD RESTRAINT SYSTEM - FORWARD FACING	99 - OTHER / UNKNOWN		X - TANKER / HAZMAT	16 - OUTSIDE MIRROR	6 - UNDER THE INFLUENCE OF MEDICATIONS / DRUGS / ALCOHOL	4 - OTHER
6 - CHILD RESTRAINT SYSTEM - REAR FACING				17 - PROSTHETIC AID	9 - OTHER / UNKNOWN	DRUG TEST RESULT(S)
7 - BOOSTER SEAT				18 - OTHER		1 - AMPHETAMINES
8 - HELMET USED						2 - BARBITURATES
9 - PROTECTIVE PADS USED (ELBOW, KNEES, ETC.)						3 - BENZODIAZEPINES
10 - REFLECTIVE CLOTHING						4 - CANNABINOIDS
11 - LIGHTING - PEDESTRIAN / BICYCLE ONLY						5 - COCAINE
99 - OTHER / UNKNOWN						6 - OPIATES / OPIOIDS
						7 - OTHER
						8 - NEGATIVE RESULTS

LOCAL REPORT NUMBER
000190004358

UNIT # 011 **OWNER NAME:** LAST, FIRST, MIDDLE (SAME AS DRIVER) _____ **OWNER PHONE:** INCLUDE AREA CODE (SAME AS DRIVER) _____

OWNER ADDRESS: STREET, CITY, STATE, ZIP (SAME AS DRIVER) _____

COMMERCIAL CARRIER: NAME, ADDRESS, CITY, STATE, ZIP _____ **COMMERCIAL CARRIER PHONE:** INCLUDE AREA CODE _____

LP STATE OH **LICENSE PLATE #** HH22869 **VEHICLE IDENTIFICATION #** 2GNALBEK4F613868Z **VEHICLE YEAR** 2015 **VEHICLE MAKE** Chevy

INSURANCE VERIFIED **INSURANCE COMPANY** USSR **INSURANCE POLICY #** 02123 16486 **COLOR** SILVER **VEHICLE MODEL** Equinox

COMMERCIAL **GOVERNMENT** **IN EMERGENCY RESPONSE** **US DOT #** _____ **TOWED BY:** COMPANY NAME _____

INTERLOCK DEVICE EQUIPPED **HIT/SKIP UNIT** **#OCCUPANTS** _____ **VEHICLE WEIGHT GVWR/GCWR**
1 - ≤20K LBS.
2 - 10,001 - 26K LBS.
3 - >26K LBS.

MATERIAL RELEASED **HAZARDOUS MATERIAL CLASS #** _____ **PLACARD ID #** _____

UNIT TYPE

1 - PASSENGER CAR	7 - MOTORCYCLE 2-WHEELED	12 - GOLF CART	18 - LIMO (LIVERY VEHICLE)	23 - PEDESTRIAN / SKATER
2 - PASSENGER VAN (MINIVAN)	8 - MOTORCYCLE 3-WHEELED	13 - SNOWMOBILE	19 - BUS (16+ PASSENGERS)	24 - WHEELCHAIR (ANY TYPE)
3 - SPORT UTILITY VEHICLE	9 - AUTOCYCLE	14 - SINGLE UNIT TRUCK	20 - OTHER VEHICLE	25 - OTHER NON-MOTORIST
4 - PICK UP	10 - MOPED OR MOTORIZED BICYCLE	15 - SEMI-TRACTOR	21 - HEAVY EQUIPMENT	26 - BICYCLE
5 - CARGO VAN	11 - ALL TERRAIN VEHICLE (ATV / UTV)	16 - FARM EQUIPMENT	22 - ANIMAL WITH RIDER OR ANIMAL-DRAWN VEHICLE	27 - TRAIN
6 - VAN (9-15 SEATS)		17 - MOTORHOME		99 - UNKNOWN OR HIT/SKIP

OF TRAILING UNITS _____

WAS VEHICLE OPERATING IN AUTONOMOUS MODE WHEN CRASH OCCURRED?

2 1 - YES 2 - NO 9 - OTHER / UNKNOWN **AUTONOMOUS MODE LEVEL**

0 - NO AUTOMATION	3 - CONDITIONAL AUTOMATION	9 - UNKNOWN
1 - DRIVER ASSISTANCE	4 - HIGH AUTOMATION	
2 - PARTIAL AUTOMATION	5 - FULL AUTOMATION	

SPECIAL FUNCTION

1 - NONE	6 - BUS - CHARTER/TOUR	11 - FIRE	16 - FARM	21 - MAIL CARRIER
2 - TAXI	7 - BUS - INTERCITY	12 - MILITARY	17 - MOWING	99 - OTHER / UNKNOWN
3 - ELECTRONIC RIDE SHARING	8 - BUS - SHUTTLE	13 - POLICE	18 - SNOW REMOVAL	
4 - SCHOOL TRANSPORT	9 - BUS - OTHER	14 - PUBLIC UTILITY	19 - TOWING	
5 - BUS - TRANSIT/COMMUTER	10 - AMBULANCE	15 - CONSTRUCTION EQUIPMENT	20 - SAFETY SERVICE PATROL	

CARGO BODY TYPE

1 - NO CARGO BODY TYPE / NOT APPLICABLE	3 - VEHICLE TOWING ANOTHER MOTOR VEHICLE	5 - INTERMODAL CONTAINER CHASSIS	8 - POLE	12 - CONCRETE MIXER
2 - BUS	4 - LOGGING	6 - CARGO VAN/ENCLOSED BOX	9 - CARGO TANK	13 - AUTOTRANSPORTER
	7 - GRAIN/CHIPS/GRAVEL		10 - FLAT BED	14 - GARBAGE/REFUSE
			11 - DUMP	99 - OTHER / UNKNOWN

VEHICLE DEFECTS

1 - TURN SIGNALS	4 - BRAKES	7 - WORN OR SLICK TIRES	9 - MOTOR TROUBLE	99 - OTHER / UNKNOWN
2 - HEAD LAMPS	5 - STEERING	8 - TRAILER EQUIPMENT DEFECTIVE	10 - DISABLED FROM PRIOR ACCIDENT	
3 - TAIL LAMPS	6 - TIRE BLOWOUT			

NON-MOTORIST LOCATION AT IMPACT

1 - INTERSECTION - MARKED CROSSWALK	3 - INTERSECTION - OTHER CROSSWALK	6 - BICYCLE LANE	9 - MEDIUM/CROSSING ISLAND	12 - FIRST RESPONDER AT INCIDENT SCENE
2 - INTERSECTION - UNMARKED CROSSWALK	4 - OVERTAKING/PASSING	7 - SHOULDER / ROADSIDE	10 - DRIVEWAY ACCESS	99 - OTHER / UNKNOWN
	5 - TRAVEL LANE - OTHER LOCATION	8 - SIDEWALK	11 - SHARED USE PATHS OR TRAILS	

ACTION

1 - NON-CONTACT	1 - STRAIGHT AHEAD	7 - MAKING U-TURN	13 - NEGOTIATING A CURVE	18 - APPROACHING OR LEAVING VEHICLE
2 - NON-COLLISION	2 - BACKING	8 - ENTERING TRAFFIC LANE	14 - ENTERING OR CROSSING SPECIFIED LOCATION	19 - STANDING
3 - STRIKING	3 - CHANGING LANES	9 - LEAVING TRAFFIC LANE	15 - WALKING, RUNNING, JOGGING, PLAYING	20 - OTHER NON-MOTORIST
4 - STRUCK PRE-CRASH ACTIONS	4 - OVERTAKING/PASSING	10 - PARKED	16 - WORKING	21 - STANDING OUTSIDE DISABLED VEHICLE
5 - BOTH STRIKING & STRUCK	5 - MAKING RIGHT TURN	11 - SLOWING OR STOPPED IN TRAFFIC	17 - PUSHING VEHICLE	99 - OTHER / UNKNOWN
9 - OTHER / UNKNOWN	6 - MAKING LEFT TURN	12 - DRIVERLESS		

CONTRIBUTING CIRCUMSTANCES

1 - NONE	7 - LEFT OF CENTER	13 - IMPROPER START FROM A PARKED POSITION	17 - VISION OBSTRUCTION	21 - LYING IN ROADWAY
2 - FAILURE TO YIELD	8 - FOLLOWING TOO CLOSE / ACDA	14 - STOPPED OR PARKED ILLEGALLY	18 - OPERATING DEFECTIVE EQUIPMENT	22 - NOT DISCERNIBLE
3 - RAN RED LIGHT	9 - IMPROPER LANE CHANGE	15 - SWERVING TO AVOID	19 - LOAD SHIFTING/FALLING/ SPILLING	23 - OPENING DOOR INTO ROADWAY
4 - RAN STOP SIGN	10 - IMPROPER PASSING	16 - WRONG WAY	20 - IMPROPER CROSSING	99 - OTHER IMPROPER ACTION
5 - UNSAFE SPEED	11 - DROVE OFF ROAD			
6 - IMPROPER TURN	12 - IMPROPER BACKING			

SEQUENCE OF EVENTS

20 1 - OVERTURN/ROLLOVER
2 2 - FIRE/EXPLOSION
3 3 - IMMERSION
4 4 - JACKKNIFE
5 5 - CARGO / EQUIPMENT LOSS OR SHIFT

NON-COLLISION

6 - EQUIPMENT FAILURE	11 - CROSS CENTERLINE -- OPPOSITE DIRECTION OF TRAVEL	16 - RAILWAY VEHICLE	22 - WORK ZONE MAINTENANCE EQUIPMENT
7 - SEPARATION OF UNITS	12 - DOWNHILL RUNAWAY	17 - ANIMAL - FARM	23 - STRUCK BY FALLING, SHIFTING CARGO OR ANYTHING SET IN MOTION BY A MOTOR VEHICLE
8 - RAN OFF ROAD RIGHT	13 - OTHER NON-COLLISION	18 - ANIMAL - DEER	24 - OTHER MOVABLE OBJECT
9 - RAN OFF ROAD LEFT	14 - PEDESTRIAN	19 - ANIMAL - OTHER	
10 - CROSS MEDIAN	15 - PEDALCYCLE	20 - MOTOR VEHICLE IN TRANSPORT	
		21 - PARKED MOTOR VEHICLE	

COLLISION WITH FIXED OBJECT - STRUCK

25 - IMPACT ATTENUATOR / CRASH CUSHION	31 - GUARDRAIL END	37 - TRAFFIC SIGN POST	43 - CURB	50 - WORK ZONE MAINTENANCE EQUIPMENT
26 - BRIDGE OVERHEAD STRUCTURE	32 - PORTABLE BARRIER	38 - OVERHEAD SIGN POST	44 - DITCH	51 - WALL
27 - BRIDGE PIER OR ABUTMENT	33 - MEDIAN CABLE BARRIER	39 - LIGHT / LUMINARIES SUPPORT	45 - EMBANKMENT	52 - BUILDING
28 - BRIDGE PARAPET	34 - MEDIAN GUARDRAIL BARRIER	40 - UTILITY POLE	46 - FENCE	53 - TUNNEL
29 - BRIDGE RAIL	35 - MEDIAN CONCRETE BARRIER	41 - OTHER POST, POLE OR SUPPORT	47 - MAILBOX	54 - OTHER FIXED OBJECT
30 - GUARDRAIL FACE	36 - MEDIAN OTHER BARRIER	42 - CULVERT	48 - TREE	99 - OTHER / UNKNOWN
			49 - FIRE HYDRANT	

FIRST HARMFUL EVENT _____ **MOST HARMFUL EVENT** _____

DAMAGE

DAMAGE SCALE

1 - NONE	3 - FUNCTIONAL DAMAGE
2 - MINOR DAMAGE	4 - DISABLING DAMAGE
	9 - UNKNOWN

1

DAMAGED AREA(S)
INDICATE ALL THAT APPLY

INITIAL POINT OF CONTACT

0 - NO DAMAGE	14 - UNDERCARRIAGE
1-12 - REFER TO UNIT DIAGRAM	15 - VEHICLE NOT AT SCENE
	99 - UNKNOWN

0

13 - TOP

TRAFFIC

TRAFFICWAY FLOW

1 - ONE-WAY	6 - TWO-WAY
-------------	-------------

2 6

TRAFFIC CONTROL

1 - ROUNDABOUT	4 - STOP SIGN
2 - SIGNAL	5 - YIELD SIGN
3 - FLASHER	6 - NO CONTROL

OF THROUGH LANES ON ROAD 2

RAIL GRADE CROSSING

1 - NOT INVOLVED	3 - INVOLVED-PASSIVE CROSSING
------------------	-------------------------------

1

UNIT / NON-MOTORIST DIRECTION

1 - NORTH	5 - NORTHEAST
2 - SOUTH	6 - NORTHWEST
3 - EAST	7 - SOUTHEAST
4 - WEST	8 - SOUTHWEST
	9 - OTHER / UNKNOWN

FROM 2 TO 1

UNIT SPEED 5

POSTED SPEED 10

DETECTED SPEED

1 - STATED / ESTIMATED SPEED
2 - CALCULATED / EDR
3 - UNDETERMINED

1

LOCAL REPORT NUMBER
000190004358

OWNER

UNIT # 012 OWNER NAME: LAST, FIRST, MIDDLE (NAME AS DRIVER) _____
OWNER PHONE: INCLUDE AREA CODE (NAME AS DRIVER) _____

OWNER ADDRESS: STREET, CITY, STATE, ZIP (NAME AS DRIVER) _____

COMMERCIAL CARRIER: NAME, ADDRESS, CITY, STATE, ZIP _____
COMMERCIAL CARRIER PHONE: INCLUDE AREA CODE _____

DAMAGE

DAMAGE SCALE

2 1 - NONE 3 - FUNCTIONAL DAMAGE
2 - MINOR DAMAGE 4 - DISABLING DAMAGE
9 - UNKNOWN

VEHICLE

LP STATE KY LICENSE PLATE # 884XJT VEHICLE IDENTIFICATION # 2HGFC2F79TMS61443 VEHICLE YEAR 2018 VEHICLE MAKE Honda

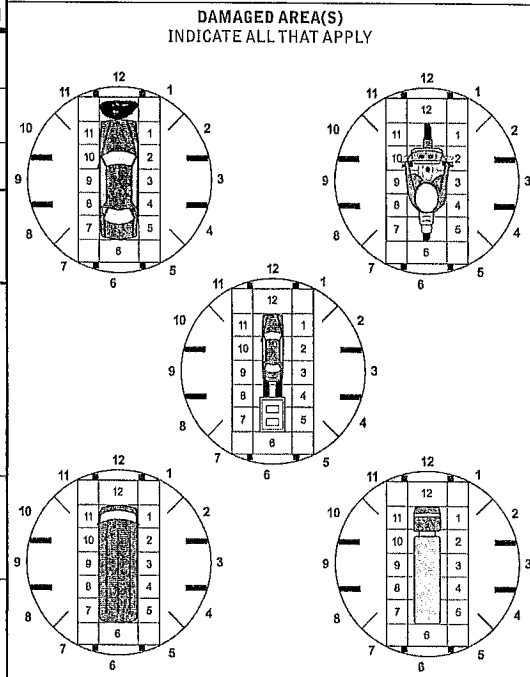
INSURANCE VERIFIED INSURANCE COMPANY Statefarm INSURANCE POLICY # 2931597C2217C COLOR Black VEHICLE MODEL Civic

COMMERCIAL GOVERNMENT IN EMERGENCY RESPONSE

INTERLOCK DEVICE EQUIPPED HIT/SKIP UNIT #OCCUPANTS _____

US DOT # _____ TOWED BY: COMPANY NAME _____

HAZARDOUS MATERIAL CLASS # _____ PLACARD ID # _____



UNIT TYPE

1 - PASSENGER CAR 7 - MOTORCYCLE 2-WHEELED 12 - GOLF CART 18 - LIMO (LIVERY VEHICLE) 23 - PEDESTRIAN / SKATER
2 - PASSENGER VAN (MINIVAN) 8 - MOTORCYCLE 3-WHEELED 13 - SNOWMOBILE 19 - BUS (16+ PASSENGERS) 24 - WHEELCHAIR (ANY TYPE)
3 - SPORT UTILITY VEHICLE 9 - AUTOCYCLE 14 - SINGLE UNIT TRUCK 20 - OTHER VEHICLE 25 - OTHER NON-MOTORIST
4 - PICK UP 10 - MOPED OR MOTORIZED BICYCLE 15 - SEMI-TRACTOR 21 - HEAVY EQUIPMENT 26 - BICYCLE
5 - CARGO VAN 11 - ALL TERRAIN VEHICLE (ATV / UTV) 16 - FARM EQUIPMENT 22 - ANIMAL WITH RIDER OR ANIMAL-DRAWN VEHICLE 27 - TRAIN
6 - VAN (9-15 SEATS) 17 - MOTORHOME

OF TRAILING UNITS _____

WAS VEHICLE OPERATING IN AUTONOMOUS MODE WHEN CRASH OCCURRED?

2 1 - YES 2 - NO 9 - OTHER / UNKNOWN

AUTONOMOUS MODE LEVEL

0 - NO AUTOMATION 1 - DRIVER ASSISTANCE 2 - PARTIAL AUTOMATION 3 - CONDITIONAL AUTOMATION 4 - HIGH AUTOMATION 5 - FULL AUTOMATION 9 - UNKNOWN

SPECIAL FUNCTION

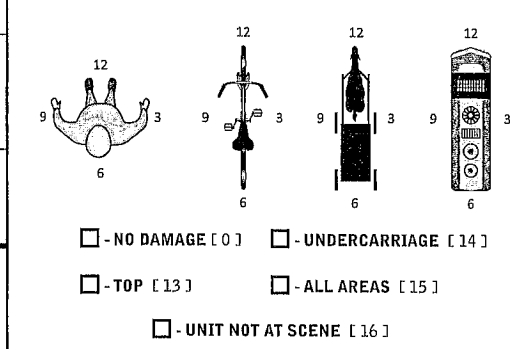
1 - NONE 6 - BUS - CHARTER/TOUR 11 - FIRE 16 - FARM 21 - MAIL CARRIER
2 - TAXI 7 - BUS - INTERCITY 12 - MILITARY 17 - MOWING 99 - OTHER / UNKNOWN
3 - ELECTRONIC RIDE SHARING 8 - BUS - SHUTTLE 13 - POLICE 18 - SNOW REMOVAL
4 - SCHOOL TRANSPORT 9 - BUS - OTHER 14 - PUBLIC UTILITY 19 - TOWING
5 - BUS - TRANSIT/COMMUTER 10 - AMBULANCE 15 - CONSTRUCTION EQUIPMENT 20 - SAFETY SERVICE PATROL

CARGO BODY TYPE

1 - NO CARGO BODY TYPE / NOT APPLICABLE 3 - VEHICLE TOWING ANOTHER MOTOR VEHICLE 5 - INTERMODAL CONTAINER CHASSIS 8 - POLE 12 - CONCRETE MIXER
2 - BUS 4 - LOGGING 6 - CARGO VAN/ENCLOSED BOX 9 - CARGO TANK 13 - AUTO TRANSPORTER
7 - GRAIN/CHIPS/GRAVEL 11 - DUMP 10 - FLAT BED 14 - GARBAGE/REFUSE 19 - OTHER / UNKNOWN

VEHICLE DEFECTS

1 - TURN SIGNALS 4 - BRAKES 7 - WORN OR SLICK TIRES 9 - MOTOR TROUBLE 99 - OTHER / UNKNOWN
2 - HEAD LAMPS 5 - STEERING 8 - TRAILER EQUIPMENT DEFECTIVE 10 - DISABLED FROM PRIOR ACCIDENT
3 - TAIL LAMPS 6 - TIRE BLOWOUT



NON-MOTORIST LOCATION AT IMPACT

1 - INTERSECTION - MARKED CROSSWALK 3 - INTERSECTION - OTHER 6 - BICYCLE LANE 9 - MEDIAN/CROSSING ISLAND 12 - FIRST RESPONDER AT INCIDENT SCENE
2 - INTERSECTION - UNMARKED CROSSWALK 4 - MIDBLOCK - MARKED CROSSWALK 7 - SHOULDER / ROADSIDE 10 - DRIVEWAY ACCESS 11 - SHARED USE PATHS OR TRAILS 99 - OTHER / UNKNOWN
5 - TRAVEL LANE - OTHER LOCATION 8 - SIDEWALK

ACTION

4 1 - NON-CONTACT 1 - STRAIGHT AHEAD 7 - MAKING U-TURN 13 - NEGOTIATING A CURVE 18 - APPROACHING OR LEAVING VEHICLE
2 - NON-COLLISION 2 - BACKING 8 - ENTERING OR CROSSING SPECIFIED LOCATION 14 - ENTERING OR CROSSING SPECIFIED LOCATION 19 - STANDING
3 - STRIKING 1 3 - CHANGING LANES 9 - LEAVING TRAFFIC LANE 15 - WALKING, RUNNING, JOGGING, PLAYING 20 - OTHER NON-MOTORIST
4 - STRUCK PRE-CRASH ACTIONS 4 - OVERTAKING/PASSING 10 - PARKED 16 - WORKING 21 - STANDING OUTSIDE DISABLED VEHICLE
5 - BOTH STRIKING & STRUCK 5 - MAKING RIGHT TURN 11 - SLOWING OR STOPPED IN TRAFFIC 17 - PUSHING VEHICLE 99 - OTHER / UNKNOWN
9 - OTHER / UNKNOWN 6 - MAKING LEFT TURN 12 - DRIVERLESS

INITIAL POINT OF CONTACT

12 0 - NO DAMAGE 14 - UNDERCARRIAGE
1-12 - REFER TO UNIT DIAGRAM 15 - VEHICLE NOT AT SCENE
13 - TOP 99 - UNKNOWN

CONTRIBUTING CIRCUMSTANCES

1 1 - NONE 7 - LEFT OF CENTER 13 - IMPROPER START FROM A PARKED POSITION 17 - VISION OBSTRUCTION 21 - LYING IN ROADWAY
2 - FAILURE TO YIELD 8 - FOLLOWING TOO CLOSE / ACDA 14 - STOPPED OR PARKED ILLEGALLY 18 - OPERATING DEFECTIVE EQUIPMENT 22 - NOT DISCERNIBLE
3 - RAN RED LIGHT 9 - IMPROPER LANE CHANGE 15 - SWERVING TO AVOID 19 - LOAD SHIFTING/FALLING/ SPILLING 23 - OPENING DOOR INTO ROADWAY
4 - RAN STOP SIGN 10 - IMPROPER PASSING 16 - WRONG WAY 20 - IMPROPER CROSSING 99 - OTHER IMPROPER ACTION
5 - UNSAFE SPEED 11 - DROVE OFF ROAD 17 - VISION OBSTRUCTION 21 - LYING IN ROADWAY
6 - IMPROPER TURN 12 - IMPROPER BACKING

TRAFFIC

TRAFFICWAY FLOW
2 1 - ONE-WAY
2 - TWO-WAY

TRAFFIC CONTROL
6 1 - ROUNDABOUT 4 - STOP SIGN
2 - SIGNAL 5 - YIELD SIGN
3 - FLASHER 6 - NO CONTROL

SEQUENCE OF EVENTS

1 1 - OVERTURN/ROLLOVER 6 - EQUIPMENT FAILURE
2 2 - FIRE/EXPLOSION 7 - SEPARATION OF UNITS
3 3 - IMMERSION 8 - RAN OFF ROAD RIGHT
4 4 - JACKKNIFE 9 - RAN OFF ROAD LEFT
5 5 - CARGO / EQUIPMENT LOSS OR SHIFT 10 - CROSS MEDIAN

NON-COLLISION

11 - CROSS CENTERLINE - OPPOSITE DIRECTION OF TRAVEL 16 - RAILWAY VEHICLE
17 - ANIMAL - FARM 22 - WORK ZONE MAINTENANCE EQUIPMENT
18 - ANIMAL - DEER 19 - ANIMAL - OTHER 23 - STRUCK BY FALLING, SHIFTING CARGO OR ANYTHING SET IN MOTION BY A MOTOR VEHICLE
20 - MOTOR VEHICLE IN TRANSPORT 24 - OTHER MOVABLE OBJECT
21 - PARKED MOTOR VEHICLE

OF THROUGH LANES ON ROAD
2

RAIL GRADE CROSSING
1 1 - NOT INVOLVED
2 - INVOLVED-ACTIVE CROSSING
3 - INVOLVED-PASSIVE CROSSING

COLLISION WITH FIXED OBJECT - STRUCK

25 - IMPACT ATTENUATOR / CRASH CUSHION 31 - GUARDRAIL END 37 - TRAFFIC SIGN POST 43 - CURB 50 - WORK ZONE MAINTENANCE EQUIPMENT
26 - BRIDGE OVERHEAD STRUCTURE 32 - PORTABLE BARRIER 38 - OVERHEAD SIGN POST 44 - DITCH 51 - WALL
27 - BRIDGE PIER OR ABUTMENT 33 - MEDIAN CABLE BARRIER 39 - LIGHT / LUMINARIES SUPPORT 45 - EMBANKMENT 52 - BUILDING
28 - BRIDGE PARAPET 34 - MEDIAN GUARDRAIL BARRIER 40 - UTILITY POLE 46 - FENCE 53 - TUNNEL
29 - BRIDGE RAIL 35 - MEDIAN CONCRETE BARRIER 41 - OTHER POST, POLE OR SUPPORT 47 - MAILBOX 54 - OTHER FIXED OBJECT
30 - GUARDRAIL FACE 36 - MEDIAN OTHER BARRIER 42 - CULVERT 48 - TREE 49 - FIRE HYDRANT 99 - OTHER / UNKNOWN

FIRST HARMFUL EVENT 1 **MOST HARMFUL EVENT** 1

UNIT / NON-MOTORIST DIRECTION

FROM 1 TO 2

1 - NORTH 5 - NORTHEAST
2 - SOUTH 6 - NORTHWEST
3 - EAST 7 - SOUTHEAST
4 - WEST 8 - SOUTHWEST
9 - OTHER / UNKNOWN

UNIT SPEED
5

POSTED SPEED
10

DETECTED SPEED
1 1 - STATED / ESTIMATED SPEED
2 - CALCULATED / EDR
3 - UNDETERMINED