

TRAFFIC CRASH REPORT

*DENOTES MANDATORY FIELD FOR SUPPLEMENT REPORT

LOCAL REPORT NUMBER*

PHOTOS TAKEN
 SECONDARY CRASH
 PRIVATE PROPERTY

OH-2 OH-3
 OH-1P OTHER

LOCAL INFORMATION
 REPORTING AGENCY NAME* Clermont County Sheriff's NCIC* 01300

01010190004980

HIT/SKIP
 1 - SOLVED
 2 - UNSOLVED

NUMBER OF UNITS
01

UNIT IN ERROR
 98 - ANIMAL
 99 - UNKNOWN

COUNTY* 13 LOCALITY* 3 LOCATION: CITY, VILLAGE, TOWNSHIP* Batawica

CRASH DATE / TIME* 02062019/11515

CRASH SEVERITY
 1 - FATAL
 2 - SERIOUS INJURY SUSPECTED
 3 - MINOR INJURY SUSPECTED
 4 - INJURY POSSIBLE
 5 - PROPERTY DAMAGE ONLY

ROUTE TYPE SR ROUTE NUMBER 132 PREFIX 1 LOCATION ROAD NAME Batawica ROAD TYPE

LATITUDE DECIMAL DEGREES 39.1104338

ROUTE TYPE SR ROUTE NUMBER 132 PREFIX 1 REFERENCE ROAD NAME (ROAD, MILEPOST, HOUSE #) 4694 ROAD TYPE

LONGITUDE DECIMAL DEGREES -84.199640

REFERENCE POINT
 1 - INTERSECTION 3
 2 - MILE POST
 3 - HOUSE #

DIRECTION FROM REFERENCE
 1 - NORTH 1
 2 - SOUTH
 3 - EAST
 4 - WEST

ROUTE TYPE
 IR - INTERSTATE ROUTE(TP)
 US - FEDERAL US ROUTE
 SR - STATE ROUTE
 CR - NUMBERED COUNTY ROUTE
 TR - NUMBERED TOWNSHIP ROUTE

ROAD TYPE
 AL - ALLEY HW - HIGHWAY RD - ROAD
 AV - AVENUE LA - LANE SQ - SQUARE
 BL - BOULEVARD MP - MILEPOST ST - STREET
 CR - CIRCLE OV - OVAL TE - TERRACE
 CT - COURT PK - PARKWAY TL - TRAIL
 DR - DRIVE PI - PIKE WA - WAY
 HE - HEIGHTS PL - PLACE

INTERSECTION RELATED
 WITHIN INTERSECTION OR ON APPROACH
 WITHIN INTERCHANGE AREA NUMBER OF APPROACHES

ROADWAY
 ROADWAY DIVIDED

LOCATION OF FIRST HARMFUL EVENT
 1 - ON ROADWAY 1
 2 - ON SHOULDER
 3 - IN MEDIAN
 4 - ON ROADSIDE
 5 - ON GORE
 6 - OUTSIDE TRAFFIC WAY
 7 - ON RAMP
 8 - OFF RAMP

MANNER OF CRASH COLLISION/IMPACT
 1 - NOT COLLISION BETWEEN TWO MOTOR VEHICLES IN TRANSPORT 1
 2 - REAR-END
 3 - HEAD-ON

9 - CROSSOVER
 10 - DRIVEWAY/ALLEY ACCESS
 11 - RAILWAY GRADE CROSSING
 12 - SHARED USE PATHS OR TRAILS
 13 - BIKE LANE
 14 - TOLL BOOTH
 99 - OTHER / UNKNOWN

4 - REAR-TO-REAR
 5 - BACKING
 6 - ANGLE
 7 - SIDESWIPE, SAME DIRECTION
 8 - SIDESWIPE, OPPOSITE DIRECTION
 9 - OTHER / UNKNOWN

DIRECTION OF TRAVEL
 1 - NORTH 1
 2 - SOUTH
 3 - EAST
 4 - WEST

MEDIAN TYPE
 1 - DIVIDED FLUSH MEDIAN (<4 FEET)
 2 - DIVIDED FLUSH MEDIAN (>4 FEET)
 3 - DIVIDED, DEPRESSED MEDIAN
 4 - DIVIDED, RAISED MEDIAN (ANYTYPE)
 9 - OTHER/UNKNOWN

WORK ZONE RELATED
 WORKERS PRESENT
 LAW ENFORCEMENT PRESENT
 ACTIVE SCHOOL ZONE

WORK ZONE TYPE
 1 - LANE CLOSURE
 2 - LANE SHIFT/CROSSOVER
 3 - WORK ON SHOULDER OR MEDIAN
 4 - INTERMITTENT OR MOVING WORK
 5 - OTHER

LOCATION OF CRASH IN WORK ZONE
 1 - BEFORE THE 1ST WORK ZONE WARNING SIGN
 2 - ADVANCE WARNING AREA
 3 - TRANSITION AREA
 4 - ACTIVITY AREA
 5 - TERMINATION AREA

CONTOUR 1 CONDITIONS 2 SURFACE 2

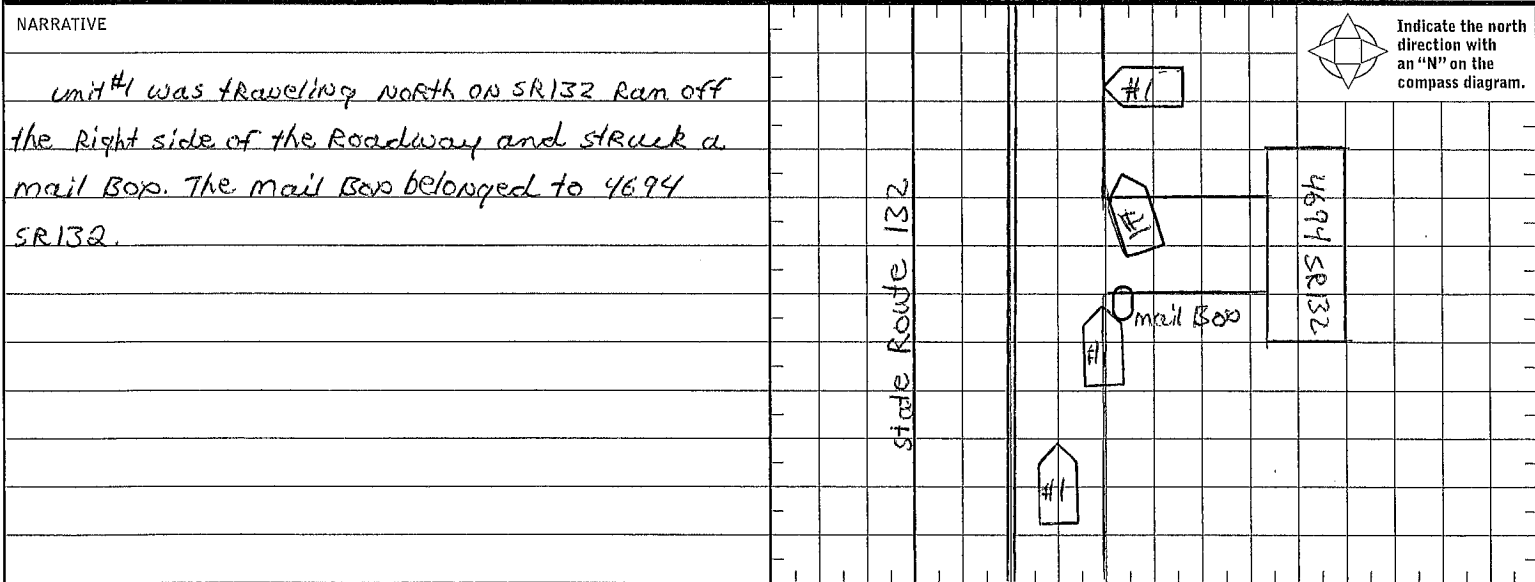
1 - STRAIGHT LEVEL
 2 - STRAIGHT GRADE
 3 - CURVE LEVEL
 4 - CURVE GRADE
 9 - OTHER/UNKNOWN

1 - DRY
 2 - WET
 3 - SNOW
 4 - ICE
 5 - SAND, MUD, DIRT, OIL, GRAVEL
 6 - WATER (STANDING, MOVING)
 7 - SLUSH
 9 - OTHER/UNKNOWN

1 - CONCRETE
 2 - BLACKTOP, BITUMINOUS, ASPHALT
 3 - BRICK/BLOCK
 4 - SLAG, GRAVEL, STONE
 5 - DIRT
 9 - OTHER/UNKNOWN

LIGHT CONDITION
 1 - DAYLIGHT 1
 2 - DAWN/DUSK
 3 - DARK - LIGHTED ROADWAY
 4 - DARK - ROADWAY NOT LIGHTED
 5 - DARK - UNKNOWN ROADWAY LIGHTING
 9 - OTHER / UNKNOWN

WEATHER
 1 - CLEAR 2
 2 - CLOUDY
 3 - FOG, SMOG, SMOKE
 4 - RAIN
 5 - SLEET, HAIL
 6 - SNOW
 7 - SEVERE CROSSWINDS
 8 - BLOWING SAND, SOIL, DIRT, SNOW
 9 - FREEZING RAIN OR FREEZING DRIZZLE
 99 - OTHER / UNKNOWN



CRASH REPORTED DATE / TIME 02062019/11510 DISPATCH DATE / TIME 02062019/11515 ARRIVAL DATE / TIME 02062019/11523 SCENE CLEARED DATE / TIME 02062019/11640

TOTAL TIME ROADWAY CLOSED 90 OTHER INVESTIGATION TIME 30 OFFICER'S NAME* Dep J.S. Rudel CHECKED BY OFFICER'S NAME*

OFFICER'S BADGE NUMBER* 3052 CHECKED BY OFFICER'S BADGE NUMBER*

REPORT TAKEN BY
 POLICE AGENCY
 MOTORIST
 SUPPLEMENT (CORRECTION OR ADDITION TO AN EXISTING REPORT SENT TO OOPS)



MOTORIST / Non-MOTORIST

LOCAL REPORT NUMBER 000190004980

UNIT # 01	NAME: LAST, FIRST, MIDDLE Dapkus, Emierose Baird	DATE OF BIRTH 04281980	AGE 38	GENDER F
--------------	---	---------------------------	-----------	-------------

ADDRESS: STREET, CITY, STATE, ZIP 44000in DR Cincinnati, Oh. 45244	CONTACT PHONE - INCLUDE AREA CODE
---	-----------------------------------

INJURIES 5	INJURED TAKEN BY	EMS AGENCY (NAME)	INJURED TAKEN TO: MEDICAL FACILITY (NAME, CITY)	SAFETY EQUIPMENT USED 4	DOT-COMPLIANT MC HELMET <input type="checkbox"/>	SEATING POSITION 1	AIR BAG USAGE 1	EJECTION 1	TRAPPED 1
---------------	------------------	-------------------	---	----------------------------	---	-----------------------	--------------------	---------------	--------------

OL STATE OH	OPERATOR LICENSE NUMBER 77411383	OFFENSE CHARGED	LOCAL CODE <input type="checkbox"/>	OFFENSE DESCRIPTION	CITATION NUMBER
----------------	-------------------------------------	-----------------	--	---------------------	-----------------

OL CLASS 4	ENDORSEMENT SELECT UP TO 2	RESTRICTION SELECT UP TO 3	DRIVER DISTRACTED BY 1	ALCOHOL / DRUG SUSPECTED <input type="checkbox"/> ALCOHOL <input type="checkbox"/> MARIJUANA <input type="checkbox"/> OTHER DRUG	CONDITION 1	ALCOHOL TEST STATUS TYPE VALUE			DRUG TEST(S) STATUS TYPE RESULT SELECT UP TO 4		
---------------	----------------------------	----------------------------	---------------------------	--	----------------	-----------------------------------	--	--	---	--	--

UNIT #	NAME: LAST, FIRST, MIDDLE	DATE OF BIRTH	AGE	GENDER
--------	---------------------------	---------------	-----	--------

ADDRESS: STREET, CITY, STATE, ZIP	CONTACT PHONE - INCLUDE AREA CODE
-----------------------------------	-----------------------------------

INJURIES	INJURED TAKEN BY	EMS AGENCY (NAME)	INJURED TAKEN TO: MEDICAL FACILITY (NAME, CITY)	SAFETY EQUIPMENT USED	DOT-COMPLIANT MC HELMET <input type="checkbox"/>	SEATING POSITION	AIR BAG USAGE	EJECTION	TRAPPED
----------	------------------	-------------------	---	-----------------------	---	------------------	---------------	----------	---------

OL STATE	OPERATOR LICENSE NUMBER	OFFENSE CHARGED	LOCAL CODE <input type="checkbox"/>	OFFENSE DESCRIPTION	CITATION NUMBER
----------	-------------------------	-----------------	--	---------------------	-----------------

OL CLASS	ENDORSEMENT SELECT UP TO 2	RESTRICTION SELECT UP TO 3	DRIVER DISTRACTED BY	ALCOHOL / DRUG SUSPECTED <input type="checkbox"/> ALCOHOL <input type="checkbox"/> MARIJUANA <input type="checkbox"/> OTHER DRUG	CONDITION	ALCOHOL TEST STATUS TYPE VALUE			DRUG TEST(S) STATUS TYPE RESULT SELECT UP TO 4		
----------	----------------------------	----------------------------	----------------------	--	-----------	-----------------------------------	--	--	---	--	--

UNIT #	NAME: LAST, FIRST, MIDDLE	DATE OF BIRTH	AGE	GENDER
--------	---------------------------	---------------	-----	--------

ADDRESS: STREET, CITY, STATE, ZIP	CONTACT PHONE - INCLUDE AREA CODE
-----------------------------------	-----------------------------------

INJURIES	INJURED TAKEN BY	EMS AGENCY (NAME)	INJURED TAKEN TO: MEDICAL FACILITY (NAME, CITY)	SAFETY EQUIPMENT USED	DOT-COMPLIANT MC HELMET <input type="checkbox"/>	SEATING POSITION	AIR BAG USAGE	EJECTION	TRAPPED
----------	------------------	-------------------	---	-----------------------	---	------------------	---------------	----------	---------

OL STATE	OPERATOR LICENSE NUMBER	OFFENSE CHARGED	LOCAL CODE <input type="checkbox"/>	OFFENSE DESCRIPTION	CITATION NUMBER
----------	-------------------------	-----------------	--	---------------------	-----------------

OL CLASS	ENDORSEMENT SELECT UP TO 2	RESTRICTION SELECT UP TO 3	DRIVER DISTRACTED BY	ALCOHOL / DRUG SUSPECTED <input type="checkbox"/> ALCOHOL <input type="checkbox"/> MARIJUANA <input type="checkbox"/> OTHER DRUG	CONDITION	ALCOHOL TEST STATUS TYPE VALUE			DRUG TEST(S) STATUS TYPE RESULT SELECT UP TO 4		
----------	----------------------------	----------------------------	----------------------	--	-----------	-----------------------------------	--	--	---	--	--

INJURIES	SEATING POSITION	AIR BAG	OL CLASS	OL RESTRICTION(S)	DRIVER DISTRACTION	TEST STATUS
1 - FATAL 2 - SUSPECTED SERIOUS INJURY 3 - SUSPECTED MINOR INJURY 4 - POSSIBLE INJURY 5 - NO APPARENT INJURY	1 - FRONT - LEFT SIDE (MOTORCYCLE DRIVER) 2 - FRONT - MIDDLE 3 - FRONT - RIGHT SIDE 4 - SECOND - LEFT SIDE (MOTORCYCLE PASSENGER) 5 - SECOND - MIDDLE 6 - SECOND - RIGHT SIDE 7 - THIRD - LEFT SIDE (MOTORCYCLE SIDE CAR) 8 - THIRD - MIDDLE 9 - THIRD - RIGHT SIDE 10 - SLEEPER SECTION OF TRUCK CAB 11 - PASSENGER IN OTHER ENCLOSED CARGO AREA (NON-TRAILING UNIT, BUS, PICK-UP WITH CAP) 12 - PASSENGER IN UNENCLOSED CARGO AREA 13 - TRAILING UNIT 14 - RIDING ON VEHICLE EXTERIOR (NON-TRAILING UNIT) 15 - NON-MOTORIST 99 - OTHER / UNKNOWN	1 - NOT DEPLOYED 2 - DEPLOYED FRONT 3 - DEPLOYED SIDE 4 - DEPLOYED BOTH FRONT / SIDE 5 - NOT APPLICABLE 9 - DEPLOYMENT UNKNOWN	1 - CLASS A 2 - CLASS B 3 - CLASS C 4 - REGULAR CLASS (OHIO = D) 5 - MC MOPED ONLY 6 - NO VALID OL	1 - ALCOHOL INTERLOCK DEVICE 2 - CDL INTRASTATE ONLY 3 - CORRECTIVE LENSES 4 - FARM WAIVER 5 - EXCEPT CLASS A BUS 6 - EXCEPT CLASS A & CLASS B BUS 7 - EXCEPT TRACTOR-TRAILER 8 - INTERMEDIATE LICENSE RESTRICTIONS 9 - LEARNER'S PERMIT RESTRICTIONS 10 - LIMITED TO DAYLIGHT ONLY 11 - LIMITED TO EMPLOYMENT 12 - LIMITED - OTHER 13 - MECHANICAL DEVICES (SPECIAL BRAKES, HAND CONTROLS, OR OTHER ADAPTIVE DEVICES) 14 - MILITARY VEHICLES ONLY 15 - MOTOR VEHICLES WITHOUT AIR BRAKES 16 - OUTSIDE MIRROR 17 - PROSTHETIC AID 18 - OTHER	1 - NOT DISTRACTED 2 - MANUALLY OPERATING AN ELECTRONIC COMMUNICATION DEVICE (TEXTING, TYPING, DIALING) 3 - TALKING ON HANDS-FREE COMMUNICATION DEVICE 4 - TALKING ON HAND-HELD COMMUNICATION DEVICE 5 - OTHER ACTIVITY WITH AN ELECTRONIC DEVICE 6 - PASSENGER 7 - OTHER DISTRACTION INSIDE THE VEHICLE 8 - OTHER DISTRACTION OUTSIDE THE VEHICLE 9 - OTHER / UNKNOWN	1 - NONE GIVEN 2 - TEST REFUSED 3 - TEST GIVEN, CONTAMINATED SAMPLE / UNUSABLE 4 - TEST GIVEN, RESULTS KNOWN 5 - TEST GIVEN, RESULTS UNKNOWN
INJURED TAKEN BY	EJECTION	TRAPPED	OL ENDORSEMENT	CONDITION	ALCOHOL TEST TYPE	DRUG TEST TYPE
1 - NOT TRANSPORTED / TREATED AT SCENE 2 - EMS 3 - POLICE 9 - OTHER / UNKNOWN	1 - NOT EJECTED 2 - PARTIALLY EJECTED 3 - TOTALLY EJECTED 4 - NOT APPLICABLE	1 - NOT TRAPPED 2 - EXTRICATED BY MECHANICAL MEANS 3 - FREED BY NON-MECHANICAL MEANS	H - HAZMAT M - MOTORCYCLE P - PASSENGER N - TANKER Q - MOTOR SCOOTER R - THREE-WHEEL MOTORCYCLE S - SCHOOL BUS T - DOUBLE & TRIPLE TRAILERS X - TANKER / HAZMAT	1 - APPARENTLY NORMAL 2 - PHYSICAL IMPAIRMENT 3 - EMOTIONAL (E.G., DEPRESSED, ANGRY, DISTURBED) 4 - ILLNESS 5 - FELL ASLEEP, FAINTED, FATIGUED, ETC. 6 - UNDER THE INFLUENCE OF MEDICATIONS / DRUGS / ALCOHOL 9 - OTHER / UNKNOWN	1 - NONE 2 - BLOOD 3 - URINE 4 - BREATH 5 - OTHER	1 - NONE 2 - BLOOD 3 - URINE 4 - OTHER
SAFETY EQUIPMENT						DRUG TEST RESULT(S)
1 - NONE USED 2 - SHOULDER BELT ONLY USED 3 - LAP BELT ONLY USED 4 - SHOULDER & LAP BELT USED 5 - CHILD RESTRAINT SYSTEM - FORWARD FACING 6 - CHILD RESTRAINT SYSTEM - REAR FACING 7 - BOOSTER SEAT 8 - HELMET USED 9 - PROTECTIVE PADS USED (ELBOW, KNEES, ETC.) 10 - REFLECTIVE CLOTHING 11 - LIGHTING - PEDESTRIAN / BICYCLE ONLY 99 - OTHER / UNKNOWN						1 - AMPHETAMINES 2 - BARBITURATES 3 - BENZODIAZEPINES 4 - CANNABINOIDS 5 - COCAINE 6 - OPIATES / OPIOIDS 7 - OTHER 8 - NEGATIVE RESULTS

LOCAL REPORT NUMBER
 1000190004980

OWNER

UNIT # 01 OWNER NAME: LAST, FIRST, MIDDLE (☐ SAME AS DRIVER)
DODKUS, BART R.

OWNER ADDRESS: STREET, CITY, STATE, ZIP (☐ SAME AS DRIVER)

COMMERCIAL CARRIER: NAME, ADDRESS, CITY, STATE, ZIP

OWNER PHONE: INCLUDE AREA CODE (☐ SAME AS DRIVER)

COMMERCIAL CARRIER PHONE: INCLUDE AREA CODE

DAMAGE

DAMAGE SCALE

2 1 - NONE 3 - FUNCTIONAL DAMAGE
 2 - MINOR DAMAGE 4 - DISABLING DAMAGE
 9 - UNKNOWN

VEHICLE

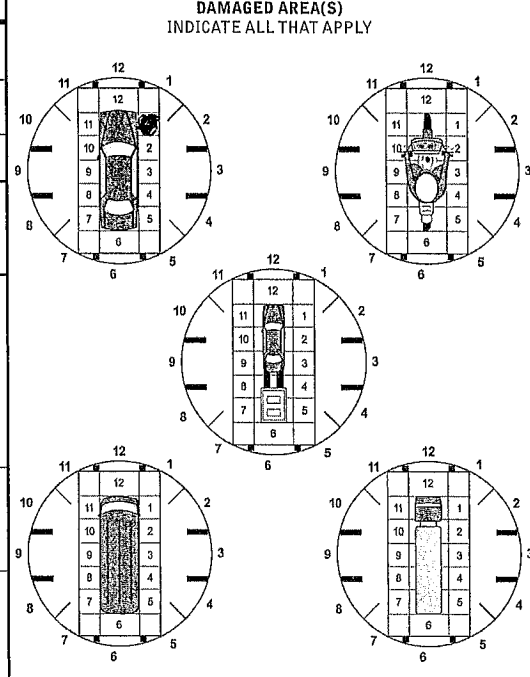
LP STATE OH LICENSE PLATE # ANG 6FT VEHICLE IDENTIFICATION # K1L7CJLE139FB2124064 VEHICLE YEAR 2015 VEHICLE MAKE CHEV

INSURANCE VERIFIED INSURANCE COMPANY Allstate INSURANCE POLICY # 992554737 COLOR BROWN VEHICLE MODEL TRAX

TYPE OF USE: COMMERCIAL GOVERNMENT IN EMERGENCY RESPONSE

US DOT # _____ TOWED BY: COMPANY NAME _____

HAZARDOUS MATERIAL: MATERIAL RELEASED CLASS # _____ PLACARD ID # _____



1 - PASSENGER CAR 7 - MOTORCYCLE 2-WHEELED 12 - GOLF CART 18 - LIMO (LIVERY VEHICLE) 23 - PEDESTRIAN / SKATER
 2 - PASSENGER VAN (MINIVAN) 8 - MOTORCYCLE 3-WHEELED 13 - SNOWMOBILE 19 - BUS (16+ PASSENGERS) 24 - WHEELCHAIR (ANY TYPE)
 3 - SPORT UTILITY VEHICLE 9 - AUTOCYCLE 14 - SINGLE UNIT TRUCK 20 - OTHER VEHICLE 25 - OTHER NON-MOTORIST
 4 - PICK UP 10 - MOPED OR MOTORIZED BICYCLE 15 - SEMI-TRACTOR 21 - HEAVY EQUIPMENT 26 - BICYCLE
 5 - CARGO VAN 11 - ALL TERRAIN VEHICLE (ATV / UTV) 16 - FARM EQUIPMENT 22 - ANIMAL WITH RIDER OR ANIMAL-DRAWN VEHICLE 27 - TRAIN
 6 - VAN (9-15 SEATS) 17 - MOTORHOME

OF TRAILING UNITS _____

WAS VEHICLE OPERATING IN AUTONOMOUS MODE WHEN CRASH OCCURRED? 2

1 - YES 2 - NO 9 - OTHER / UNKNOWN

AUTONOMOUS MODE LEVEL

0 - NO AUTOMATION 1 - DRIVER ASSISTANCE 2 - PARTIAL AUTOMATION 3 - CONDITIONAL AUTOMATION 4 - HIGH AUTOMATION 5 - FULL AUTOMATION 9 - UNKNOWN

SPECIAL FUNCTION

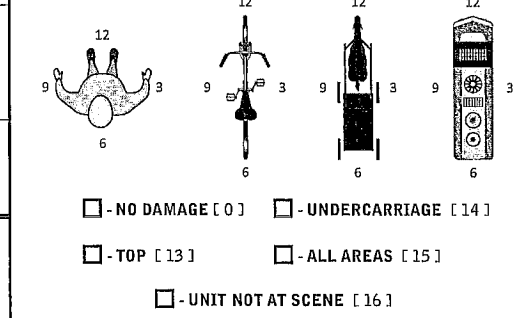
1 - NONE 6 - BUS - CHARTER/TOUR 11 - FIRE 16 - FARM 21 - MAIL CARRIER
 2 - TAXI 7 - BUS - INTERCITY 12 - MILITARY 17 - MOWING 22 - OTHER / UNKNOWN
 3 - ELECTRONIC RIDE SHARING 8 - BUS - SHUTTLE 13 - POLICE 18 - SNOW REMOVAL
 4 - SCHOOL TRANSPORT 9 - BUS - OTHER 14 - PUBLIC UTILITY 19 - TOWING
 5 - BUS - TRANSIT/COMMUTER 10 - AMBULANCE 15 - CONSTRUCTION EQUIPMENT 20 - SAFETY SERVICE PATROL

CARGO BODY TYPE

1 - NO CARGO BODY TYPE / NOT APPLICABLE 3 - VEHICLE TOWING ANOTHER MOTOR VEHICLE 5 - INTERMODAL CONTAINER CHASSIS 8 - POLE 12 - CONCRETE MIXER
 2 - BUS 4 - LOGGING 6 - CARGO VAN/ENCLOSED BOX 9 - CARGO TANK 13 - AUTO TRANSPORTER
 7 - GRAIN/CHIPS/GRAVEL 10 - FLAT BED 11 - DUMP 14 - GARBAGE/REFUSE 19 - OTHER / UNKNOWN

VEHICLE DEFECTS

1 - TURN SIGNALS 4 - BRAKES 7 - WORN OR SLICK TIRES 9 - MOTOR TROUBLE 99 - OTHER / UNKNOWN
 2 - HEAD LAMPS 5 - STEERING 8 - TRAILER EQUIPMENT DEFECTIVE 10 - DISABLED FROM PRIOR ACCIDENT
 3 - TAIL LAMPS 6 - TIRE BLOWOUT



NON-MOTORIST LOCATION AT IMPACT

1 - INTERSECTION - MARKED CROSSWALK 3 - INTERSECTION - OTHER 6 - BICYCLE LANE 9 - MEDIAN/CROSSING ISLAND 12 - FIRST RESPONDER AT INCIDENT SCENE
 2 - INTERSECTION - UNMARKED CROSSWALK 4 - MIDBLOCK - MARKED CROSSWALK 7 - SHOULDER / ROADSIDE 10 - DRIVEWAY ACCESS
 5 - TRAVEL LANE - OTHER LOCATION 8 - SIDEWALK 11 - SHARED USE PATHS OR TRAILS 99 - OTHER / UNKNOWN

ACTION

3 1 - NON-CONTACT 1 - STRAIGHT AHEAD 7 - MAKING U-TURN 13 - NEGOTIATING A CURVE 18 - APPROACHING OR LEAVING VEHICLE
 2 - NON-COLLISION 2 - BACKING 8 - ENTERING TRAFFIC LANE 14 - ENTERING OR CROSSING SPECIFIED LOCATION 19 - STANDING
 3 - STRIKING 3 - CHANGING LANES 9 - LEAVING TRAFFIC LANE 15 - WALKING, RUNNING, JOGGING, PLAYING 20 - OTHER NON-MOTORIST
 4 - STRUCK PRE-CRASH ACTIONS 4 - OVERTAKING/PASSING 10 - PARKED 11 - SLOWING OR STOPPED IN TRAFFIC 16 - WORKING 21 - STANDING OUTSIDE DISABLED VEHICLE
 5 - BOTH STRIKING & STRUCK 5 - MAKING RIGHT TURN 12 - DRIVERLESS 17 - PUSHING VEHICLE 99 - OTHER / UNKNOWN
 9 - OTHER / UNKNOWN 6 - MAKING LEFT TURN

CONTRIBUTING CIRCUMSTANCES

1, 5 1 - NONE 7 - LEFT OF CENTER 13 - IMPROPER START FROM A PARKED POSITION 17 - VISION OBSTRUCTION 21 - LYING IN ROADWAY
 2 - FAILURE TO YIELD 8 - FOLLOWING TOO CLOSE / ACDA 14 - STOPPED OR PARKED ILLEGALLY 18 - OPERATING DEFECTIVE EQUIPMENT 22 - NOT DISCERNIBLE
 3 - RAN RED LIGHT 9 - IMPROPER LANE CHANGE 15 - SWERVING TO AVOID 19 - LOAD SHIFTING/FALLING/SPILLING 23 - OPENING DOOR INTO ROADWAY
 4 - RAN STOP SIGN 10 - IMPROPER PASSING 16 - WRONG WAY 20 - IMPROPER CROSSING 99 - OTHER IMPROPER ACTION
 5 - UNSAFE SPEED 11 - DROVE OFF ROAD
 6 - IMPROPER TURN 12 - IMPROPER BACKING

TRAFFIC

TRAFFICWAY FLOW: 2 1 - ONE-WAY 2 - TWO-WAY

TRAFFIC CONTROL: 6 1 - ROUNDABOUT 4 - STOP SIGN 2 - SIGNAL 5 - YIELD SIGN 3 - FLASHER 6 - NO CONTROL

OF THROUGH LANES ON ROAD: 2

RAIL GRADE CROSSING: 1 1 - NOT INVOLVED 2 - INVOLVED-ACTIVE CROSSING 3 - INVOLVED-PASSIVE CROSSING

SEQUENCE OF EVENTS

1 8 1 - OVERTURN/ROLLOVER 6 - EQUIPMENT FAILURE 11 - CROSS CENTERLINE - OPPOSITE DIRECTION OF TRAVEL 16 - RAILWAY VEHICLE 22 - WORK ZONE MAINTENANCE EQUIPMENT
2 4, 4 2 - FIRE/EXPLOSION 7 - SEPARATION OF UNITS 12 - DOWNHILL RUNAWAY 17 - ANIMAL - FARM 23 - STRUCK BY FALLING, SHIFTING CARGO OR ANYTHING SET IN MOTION BY A MOTOR VEHICLE
3 4, 7 3 - IMMERSION 8 - RAN OFF ROAD RIGHT 13 - OTHER NON-COLLISION 18 - ANIMAL - DEER 24 - OTHER MOVABLE OBJECT
 4 - JACKKNIFE 9 - RAN OFF ROAD LEFT 14 - PEDESTRIAN 19 - ANIMAL - OTHER 20 - MOTOR VEHICLE IN TRANSPORT
 5 - CARGO / EQUIPMENT LOSS OR SHIFT 10 - CROSS MEDIAN 15 - PEDALCYCLE 21 - PARKED MOTOR VEHICLE

UNIT / NON-MOTORIST DIRECTION

FROM 2 TO 1

1 - NORTH 5 - NORTHEAST 2 - SOUTH 6 - NORTHWEST 3 - EAST 7 - SOUTHEAST 4 - WEST 8 - SOUTHWEST 9 - OTHER / UNKNOWN

COLLISION WITH FIXED OBJECT - STRUCK

4 25 - IMPACT ATTENUATOR / CRASH CUSHION 31 - GUARDRAIL END 37 - TRAFFIC SIGN POST 43 - CURB 50 - WORK ZONE MAINTENANCE EQUIPMENT
5 26 - BRIDGE OVERHEAD STRUCTURE 32 - PORTABLE BARRIER 38 - OVERHEAD SIGN POST 44 - DITCH 51 - WALL
6 27 - BRIDGE PIER OR ABUTMENT 33 - MEDIAN CABLE BARRIER 39 - LIGHT / LUMINARIES SUPPORT 45 - EMBANKMENT 52 - BUILDING
 28 - BRIDGE PARAPET 34 - MEDIAN GUARDRAIL BARRIER 40 - UTILITY POLE 46 - FENCE 53 - TUNNEL
 29 - BRIDGE RAIL 35 - MEDIAN CONCRETE BARRIER 41 - OTHER POST, POLE OR SUPPORT 47 - MAILBOX 54 - OTHER FIXED OBJECT
 30 - GUARDRAIL FACE 36 - MEDIAN OTHER BARRIER 42 - CULVERT 48 - TREE 55 - OTHER / UNKNOWN
 49 - FIRE HYDRANT

1 FIRST HARMFUL EVENT 3 MOST HARMFUL EVENT

UNIT SPEED: 25

POSTED SPEED: 45

DETECTED SPEED: 1 1 - STATED / ESTIMATED SPEED 2 - CALCULATED / EDR 3 - UNDETERMINED

Case Number: 000190004980

Date:

Location: 4694 State Route 132

Description:



Not To Scale

State Route 132

