

TRAFFIC CRASH REPORT

*DENOTES MANDATORY FIELD FOR SUPPLEMENT REPORT

LOCAL REPORT NUMBER*

<input checked="" type="checkbox"/> PHOTOS TAKEN	<input type="checkbox"/> OH-2	<input type="checkbox"/> OH-3	LOCAL INFORMATION <i>2908 Lindale Mt. Holly Rd</i>	000190016995			
<input type="checkbox"/> SECONDARY CRASH	<input type="checkbox"/> OH-1P	<input type="checkbox"/> OTHER	REPORTING AGENCY NAME* <i>Dermont County Sheriff's</i>	NCIC* <i>13.00</i>	HIT/SKIP 1 - SOLVED 2 - UNSOLVED	NUMBER OF UNITS <i>01</i>	UNIT IN ERROR 98 - ANIMAL 99 - UNKNOWN

COUNTY* <i>13</i>	LOCALITY* <i>3</i>	LOCATION: CITY, VILLAGE, TOWNSHIP* <i>Monroe Twp.</i>	CRASH DATE / TIME* <i>20190502</i>	CRASH SEVERITY 1 - FATAL 2 - SERIOUS INJURY SUSPECTED 3 - MINOR INJURY SUSPECTED 4 - INJURY POSSIBLE 5 - PROPERTY DAMAGE ONLY <i>5</i>
----------------------	-----------------------	--	---------------------------------------	--

ROUTE TYPE	ROUTE NUMBER	PREFIX	1 - NORTH 2 - SOUTH 3 - EAST 4 - WEST	LOCATION ROAD NAME <i>Lindale Mt. Holly Rd</i>	ROAD TYPE <i>RD</i>	LATITUDE DECIMAL DEGREES <i>39.993409</i>
ROUTE TYPE	ROUTE NUMBER	PREFIX	1 - NORTH 2 - SOUTH 3 - EAST 4 - WEST	REFERENCE ROAD NAME (ROAD, MILEPOST, HOUSE #) <i>2908 Lindale Mt. Holly Rd</i>	ROAD TYPE <i>RD</i>	LONGITUDE DECIMAL DEGREES <i>-84.176306</i>

REFERENCE POINT 1 - INTERSECTION 2 - MILE POST 3 - HOUSE # <i>3</i>	DIRECTION FROM REFERENCE 1 - NORTH 2 - SOUTH 3 - EAST 4 - WEST <i>3</i>	ROUTE TYPE JR - INTERSTATE ROUTE(TP) US - FEDERAL US ROUTE SR - STATE ROUTE CR - NUMBERED COUNTY ROUTE TR - NUMBERED TOWNSHIP ROUTE	ROAD TYPE AL - ALLEY AV - AVENUE BL - BOULEVARD CR - CIRCLE CT - COURT DR - DRIVE HE - HEIGHTS HW - HIGHWAY LA - LANE MP - MILEPOST OV - OVAL PK - PARKWAY PI - PIKE PL - PLACE RD - ROAD SQ - SQUARE ST - STREET TE - TERRACE TL - TRAIL WA - WAY	INTERSECTION RELATED <input type="checkbox"/> WITHIN INTERSECTION OR ON APPROACH <input type="checkbox"/> WITHIN INTERCHANGE AREA	NUMBER OF APPROACHES	ROADWAY <input checked="" type="checkbox"/> ROADWAY DIVIDED
---	--	--	--	---	----------------------	--

LOCATION OF FIRST HARMFUL EVENT 1 - ON ROADWAY 2 - ON SHOULDER 3 - IN MEDIAN 4 - ON ROADSIDE 5 - ON GORE 6 - OUTSIDE TRAFFIC WAY 7 - ON RAMP 8 - OFF RAMP <i>02</i>	9 - CROSSOVER 10 - DRIVEWAY/ALLEY ACCESS 11 - RAILWAY GRADE CROSSING 12 - SHARED USE PATHS OR TRAILS 13 - BIKE LANE 14 - TOLL BOOTH 99 - OTHER / UNKNOWN	MANNER OF CRASH COLLISION/IMPACT 1 - NOT COLLISION BETWEEN TWO MOTOR VEHICLES IN TRANSPORT 2 - REAR-END 3 - HEAD-ON 4 - REAR-TO-REAR 5 - BACKING 6 - ANGLE 7 - SIDESWIPE, SAME DIRECTION 8 - SIDESWIPE, OPPOSITE DIRECTION 9 - OTHER / UNKNOWN <i>1</i>	DIRECTION OF TRAVEL 1 - NORTH 2 - SOUTH 3 - EAST 4 - WEST <i>3</i>	MEDIAN TYPE 1 - DIVIDED FLUSH MEDIAN (<4 FEET) 2 - DIVIDED FLUSH MEDIAN (≥4 FEET) 3 - DIVIDED, DEPRESSED MEDIAN 4 - DIVIDED, RAISED MEDIAN (ANY TYPE) 9 - OTHER/UNKNOWN <i>1</i>
--	--	---	---	--

<input type="checkbox"/> WORK ZONE RELATED <input type="checkbox"/> WORKERS PRESENT <input type="checkbox"/> LAW ENFORCEMENT PRESENT <input type="checkbox"/> ACTIVE SCHOOL ZONE	WORK ZONE TYPE 1 - LANE CLOSURE 2 - LANE SHIFT/CROSSOVER 3 - WORK ON SHOULDER OR MEDIAN 4 - INTERMITTENT OR MOVING WORK 5 - OTHER	LOCATION OF CRASH IN WORK ZONE 1 - BEFORE THE 1ST WORK ZONE WARNING SIGN 2 - ADVANCE WARNING AREA 3 - TRANSITION AREA 4 - ACTIVITY AREA 5 - TERMINATION AREA	CONTOUR <i>3</i>	CONDITIONS <i>1</i>	SURFACE <i>2</i>
---	--	---	---------------------	------------------------	---------------------

LIGHT CONDITION 1 - DAYLIGHT 2 - DAWN/DUSK 3 - DARK - LIGHTED ROADWAY 4 - DARK - ROADWAY NOT LIGHTED 5 - DARK - UNKNOWN ROADWAY LIGHTING 9 - OTHER / UNKNOWN <i>1</i>	WEATHER 1 - CLEAR 2 - CLOUDY 3 - FOG, SMOG, SMOKE 4 - RAIN 5 - SLEET, HAIL 6 - SNOW 7 - SEVERE CROSSWINDS 8 - BLOWING SAND, SOIL, DIRT, SNOW 9 - FREEZING RAIN OR FREEZING DRIZZLE 99 - OTHER / UNKNOWN <i>02</i>	CONTOUR 1 - STRAIGHT LEVEL 2 - STRAIGHT GRADE 3 - CURVE LEVEL 4 - CURVE GRADE 9 - OTHER/UNKNOWN	CONDITIONS 1 - DRY 2 - WET 3 - SNOW 4 - ICE 5 - SAND, MUD, DIRT, OIL, GRAVEL 6 - WATER (STANDING, MOVING) 7 - SLUSH 9 - OTHER/UNKNOWN	SURFACE 1 - CONCRETE 2 - BLACKTOP, BITUMINOUS, ASPHALT 3 - BRICK/BLOCK 4 - SLAG, GRAVEL, STONE 5 - DIRT 9 - OTHER/UNKNOWN
--	--	--	---	---

NARRATIVE

Unit 1 went off Road way Right side into Ditch

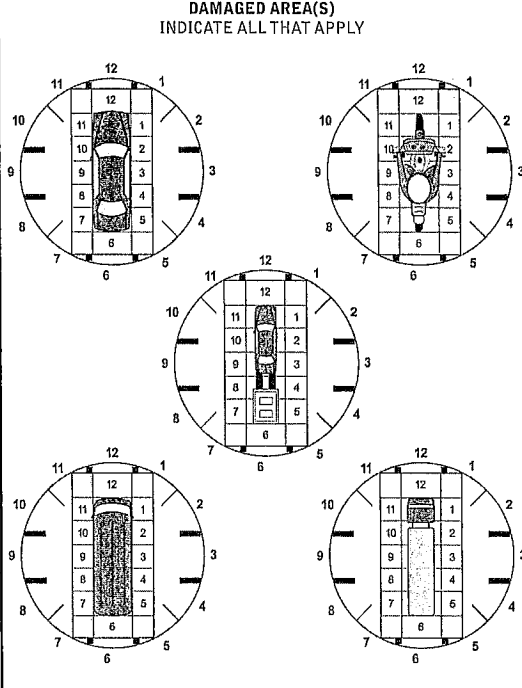
Indicate the north direction with an "N" on the compass diagram.

CRASH REPORTED DATE / TIME <i>20190502</i>	DISPATCH DATE / TIME <i>1551</i>	ARRIVAL DATE / TIME <i>1603</i>	SCENE CLEARED DATE / TIME	REPORT TAKEN BY <i>500</i>
TOTAL TIME ROADWAY CLOSED	OTHER INVESTIGATION TIME	TOTAL MINUTES	OFFICER'S NAME* <i>Det J. Gains</i>	CHECKED BY OFFICER'S NAME*
			OFFICER'S BADGE NUMBER* <i>11151</i>	CHECKED BY OFFICER'S BADGE NUMBER*

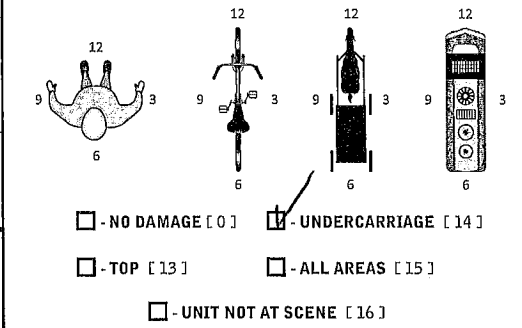
OWNER
 UNIT # 01 OWNER NAME: LAST, FIRST, MIDDLE (☐ SAME AS DRIVER) Dammell, Sawyer Layne
 OWNER ADDRESS: STREET, CITY, STATE, ZIP (☐ SAME AS DRIVER) 8528 SR B4, Lynchburg OH 45142
 COMMERCIAL CARRIER: NAME, ADDRESS, CITY, STATE, ZIP _____ COMMERCIAL CARRIER PHONE: INCLUDE AREA CODE _____

DAMAGE
 DAMAGE SCALE
 1 - NONE 3 - FUNCTIONAL DAMAGE
 2 - MINOR DAMAGE 4 - DISABLING DAMAGE
 9 - UNKNOWN
1

VEHICLE
 LP STATE OH LICENSE PLATE # HBS9547 VEHICLE IDENTIFICATION # JHMBE865ADL0C65H35 VEHICLE YEAR 2013 VEHICLE MAKE Honda
 INSURANCE VERIFIED INSURANCE COMPANY Nationwide INSURANCE POLICY # 92345019620 COLOR Black VEHICLE MODEL Fit
 TYPE OF USE: COMMERCIAL GOVERNMENT IN EMERGENCY RESPONSE _____ US DOT # _____ TOWED BY: COMPANY NAME GRAYS
 INTERLOCK DEVICE EQUIPPED HIT/SKIP UNIT #OCCUPANTS 01 VEHICLE WEIGHT GVWR/GCWR: 1 - ≤10K LBS., 2 - 10,001 - 26K LBS., 3 - >26K LBS. HAZARDOUS MATERIAL: MATERIAL RELEASED, PLACARD CLASS # _____ PLACARD ID # _____



UNIT TYPE: 1 - PASSENGER CAR, 2 - PASSENGER VAN (MINIVAN), 3 - SPORT UTILITY VEHICLE, 4 - PICK UP, 5 - CARGO VAN, 6 - VAN (9-15 SEATS), 7 - MOTORCYCLE 2-WHEELED, 8 - MOTORCYCLE 3-WHEELED, 9 - AUTOCYCLE, 10 - MOPED OR MOTORIZED BICYCLE, 11 - ALL TERRAIN VEHICLE (ATV/UTV), 12 - GOLF CART, 13 - SNOWMOBILE, 14 - SINGLE UNIT TRUCK, 15 - SEMI-TRACTOR, 16 - FARM EQUIPMENT, 17 - MOTORHOME, 18 - LIMO (LIVERY VEHICLE), 19 - BUS (16+ PASSENGERS), 20 - OTHER VEHICLE, 21 - HEAVY EQUIPMENT, 22 - ANIMAL WITH RIDER OR ANIMAL-DRAWN VEHICLE, 23 - PEDESTRIAN / SKATER, 24 - WHEELCHAIR (ANY TYPE), 25 - OTHER NON-MOTORIST, 26 - BICYCLE, 27 - TRAIN, 99 - UNKNOWN OR HIT/SKIP
 # OF TRAILING UNITS _____



WAS VEHICLE OPERATING IN AUTONOMOUS MODE WHEN CRASH OCCURRED? 2
 1 - YES 2 - NO 9 - OTHER / UNKNOWN
 AUTONOMOUS MODE LEVEL: 0
 0 - NO AUTOMATION 1 - DRIVER ASSISTANCE 2 - PARTIAL AUTOMATION 3 - CONDITIONAL AUTOMATION 4 - HIGH AUTOMATION 5 - FULL AUTOMATION 9 - UNKNOWN

SPECIAL FUNCTION: 1 - NONE, 2 - TAXI, 3 - ELECTRONIC RIDE SHARING, 4 - SCHOOL TRANSPORT, 5 - BUS - TRANSIT/COMMUTER, 6 - BUS - CHARTER/TOUR, 7 - BUS - INTERCITY, 8 - BUS - SHUTTLE, 9 - BUS - OTHER, 10 - AMBULANCE, 11 - FIRE, 12 - MILITARY, 13 - POLICE, 14 - PUBLIC UTILITY, 15 - CONSTRUCTION EQUIPMENT, 16 - FARM, 17 - MOWING, 18 - SNOW REMOVAL, 19 - TOWING, 20 - SAFETY SERVICE PATROL, 21 - MAIL CARRIER, 99 - OTHER / UNKNOWN
01

CARGO BODY TYPE: 1 - NO CARGO BODY TYPE / NOT APPLICABLE, 2 - BUS, 3 - VEHICLE TOWING ANOTHER MOTOR VEHICLE, 4 - LOGGING, 5 - INTERMODAL CONTAINER CHASSIS, 6 - CARGO VAN/ENCLOSED BOX, 7 - GRAIN/CHIPS/GRAVEL, 8 - POLE, 9 - CARGO TANK, 10 - FLAT BED, 11 - DUMP, 12 - CONCRETE MIXER, 13 - AUTO TRANSPORTER, 14 - GARBAGE/REFUSE, 99 - OTHER / UNKNOWN
01

VEHICLE DEFECTS: 1 - TURN SIGNALS, 2 - HEAD LAMPS, 3 - TAIL LAMPS, 4 - BRAKES, 5 - STEERING, 6 - TIRE BLOWOUT, 7 - WORN OR SLICK TIRES, 8 - TRAILER EQUIPMENT DEFECTIVE, 9 - MOTOR TROUBLE, 10 - DISABLED FROM PRIOR ACCIDENT, 99 - OTHER / UNKNOWN
99

NON-MOTORIST LOCATION AT IMPACT: 1 - INTERSECTION - MARKED CROSSWALK, 2 - INTERSECTION - UNMARKED CROSSWALK, 3 - INTERSECTION - OTHER, 4 - MIDBLOCK - MARKED CROSSWALK, 5 - TRAVEL LANE - OTHER LOCATION, 6 - BICYCLE LANE, 7 - SHOULDER / ROADSIDE, 8 - SIDEWALK, 9 - MEDIAN/CROSSING ISLAND, 10 - DRIVEWAY ACCESS, 11 - SHARED USE PATHS OR TRAILS, 12 - FIRST RESPONDER AT INCIDENT SCENE, 99 - OTHER / UNKNOWN
07

ACTION: 1 - NON-CONTACT, 2 - NON-COLLISION, 3 - STRIKING, 4 - STRUCK, 5 - BOTH STRIKING & STRUCK, 9 - OTHER / UNKNOWN, 13 - PRE-CRASH ACTIONS: 1 - STRAIGHT AHEAD, 2 - BACKING, 3 - CHANGING LANES, 4 - OVERTAKING/PASSING, 5 - MAKING RIGHT TURN, 6 - MAKING LEFT TURN, 7 - MAKING U-TURN, 8 - ENTERING TRAFFIC LANE, 9 - LEAVING TRAFFIC LANE, 10 - PARKED, 11 - SLOWING OR STOPPED IN TRAFFIC, 12 - DRIVERLESS, 13 - NEGOTIATING A CURVE, 14 - ENTERING OR CROSSING SPECIFIED LOCATION, 15 - WALKING, RUNNING, JOGGING, PLAYING, 16 - WORKING, 17 - PUSHING VEHICLE, 18 - APPROACHING OR LEAVING VEHICLE, 19 - STANDING, 20 - OTHER NON-MOTORIST, 21 - STANDING OUTSIDE DISABLED VEHICLE, 99 - OTHER / UNKNOWN
02

INITIAL POINT OF CONTACT
 0 - NO DAMAGE 14 - UNDERCARRIAGE
 1-12 - REFER TO UNIT DIAGRAM 15 - VEHICLE NOT AT SCENE
 99 - UNKNOWN
14
 13 - TOP

CONTRIBUTING CIRCUMSTANCES: 1 - NONE, 2 - FAILURE TO YIELD, 3 - RAN RED LIGHT, 4 - RAN STOP SIGN, 5 - UNSAFE SPEED, 6 - IMPROPER TURN, 7 - LEFT OF CENTER, 8 - FOLLOWING TOO CLOSE / ACDA, 9 - IMPROPER LANE CHANGE, 10 - IMPROPER PASSING, 11 - DROVE OFF ROAD, 12 - IMPROPER BACKING, 13 - IMPROPER START FROM A PARKED POSITION, 14 - STOPPED OR PARKED ILLEGALLY, 15 - SWERVING TO AVOID, 16 - WRONG WAY, 17 - VISION OBSTRUCTION, 18 - OPERATING DEFECTIVE EQUIPMENT, 19 - LOAD SHIFTING/FALLING/SPILLING, 20 - IMPROPER CROSSING, 21 - LYING IN ROADWAY, 22 - NOT DISCERNIBLE, 23 - OPENING DOOR INTO ROADWAY, 99 - OTHER IMPROPER ACTION
99

TRAFFIC
TRAFFICWAY FLOW
 1 - ONE-WAY 2 - TWO-WAY
2
TRAFFIC CONTROL
 1 - ROUNDABOUT 4 - STOP SIGN
 2 - SIGNAL 5 - YIELD SIGN
 3 - FLASHER 6 - NO CONTROL
6

EVENTS
 SEQUENCE OF EVENTS: 1 08, 2 44, 3 _____, 4 _____, 5 _____, 6 _____
 1 - OVERTURN/ROLLOVER, 2 - FIRE/EXPLOSION, 3 - IMMERSION, 4 - JACKKNIFE, 5 - CARGO / EQUIPMENT LOSS OR SHIFT, 6 - EQUIPMENT FAILURE, 7 - SEPARATION OF UNITS, 8 - RAN OFF ROAD RIGHT, 9 - RAN OFF ROAD LEFT, 10 - CROSS MEDIAN, 11 - CROSS CENTERLINE - OPPOSITE DIRECTION OF TRAVEL, 12 - DOWNHILL RUNAWAY, 13 - OTHER NON-COLLISION, 14 - PEDESTRIAN, 15 - PEDALCYCLE, 16 - RAILWAY VEHICLE, 17 - ANIMAL - FARM, 18 - ANIMAL - DEER, 19 - ANIMAL - OTHER, 20 - MOTOR VEHICLE IN TRANSPORT, 21 - PARKED MOTOR VEHICLE, 22 - WORK ZONE MAINTENANCE EQUIPMENT, 23 - STRUCK BY FALLING, SHIFTING CARGO OR ANYTHING SET IN MOTION BY A MOTOR VEHICLE, 24 - OTHER MOVABLE OBJECT

OF THROUGH LANES ON ROAD
2
RAIL GRADE CROSSING
 1 - NOT INVOLVED
 2 - INVOLVED-ACTIVE CROSSING
 3 - INVOLVED-PASSIVE CROSSING
1

COLLISION WITH FIXED OBJECT - STRUCK
 25 - IMPACT ATTENUATOR / CRASH CUSHION, 26 - BRIDGE OVERHEAD STRUCTURE, 27 - BRIDGE PIER OR ABUTMENT, 28 - BRIDGE PARAPET, 29 - BRIDGE RAIL, 30 - GUARDRAIL FACE, 31 - GUARDRAIL END, 32 - PORTABLE BARRIER, 33 - MEDIAN CABLE BARRIER, 34 - MEDIAN GUARDRAIL BARRIER, 35 - MEDIAN CONCRETE BARRIER, 36 - MEDIAN OTHER BARRIER, 37 - TRAFFIC SIGN POST, 38 - OVERHEAD SIGN POST, 39 - LIGHT / LUMINARIES SUPPORT, 40 - UTILITY POLE, 41 - OTHER POST, POLE OR SUPPORT, 42 - CULVERT, 43 - CURB, 44 - DITCH, 45 - EMBANKMENT, 46 - FENCE, 47 - MAILBOX, 48 - TREE, 49 - FIRE HYDRANT, 50 - WORK ZONE MAINTENANCE EQUIPMENT, 51 - WALL, 52 - BUILDING, 53 - TUNNEL, 54 - OTHER FIXED OBJECT, 99 - OTHER / UNKNOWN
 FIRST HARMFUL EVENT 08 MOST HARMFUL EVENT 08

UNIT / NON-MOTORIST DIRECTION
 1 - NORTH 5 - NORTHEAST
 2 - SOUTH 6 - NORTHWEST
 3 - EAST 7 - SOUTHEAST
 4 - WEST 8 - SOUTHWEST
 9 - OTHER / UNKNOWN
 FROM 4 TO 3

UNIT SPEED
040
POSTED SPEED
40
DETECTED SPEED
 1 - STATED / ESTIMATED SPEED
 2 - CALCULATED / EDR
 3 - UNDETERMINED
1



OCCUPANT / WITNESS ADDENDUM

LOCAL REPORT NUMBER

000190016995

OCCUPANT	UNIT #	NAME: LAST, FIRST, MIDDLE	DATE OF BIRTH	AGE	GENDER
	01	Rammel, Sawyer Layne	19960127	23	Female
ADDRESS: STREET, CITY, STATE, ZIP			CONTACT PHONE - INCLUDE AREA CODE		
0285R134, Lynchburg OH 45142					
INJURIES	INJURED TAKEN BY	EMS AGENCY (NAME)	INJURED TAKEN TO: MEDICAL FACILITY (NAME, CITY)	SAFETY EQUIPMENT USED	<input type="checkbox"/> DOT-COMPLIANT MC HELMET SEATING POSITION AIR BAG USAGE EJECTION TRAPPED
5	1			04	01 01 01 01

OCCUPANT	UNIT #	NAME: LAST, FIRST, MIDDLE	DATE OF BIRTH	AGE	GENDER
ADDRESS: STREET, CITY, STATE, ZIP			CONTACT PHONE - INCLUDE AREA CODE		
INJURIES	INJURED TAKEN BY	EMS AGENCY (NAME)	INJURED TAKEN TO: MEDICAL FACILITY (NAME, CITY)	SAFETY EQUIPMENT USED	<input type="checkbox"/> DOT-COMPLIANT MC HELMET SEATING POSITION AIR BAG USAGE EJECTION TRAPPED

OCCUPANT	UNIT #	NAME: LAST, FIRST, MIDDLE	DATE OF BIRTH	AGE	GENDER
ADDRESS: STREET, CITY, STATE, ZIP			CONTACT PHONE - INCLUDE AREA CODE		
INJURIES	INJURED TAKEN BY	EMS AGENCY (NAME)	INJURED TAKEN TO: MEDICAL FACILITY (NAME, CITY)	SAFETY EQUIPMENT USED	<input type="checkbox"/> DOT-COMPLIANT MC HELMET SEATING POSITION AIR BAG USAGE EJECTION TRAPPED

OCCUPANT	UNIT #	NAME: LAST, FIRST, MIDDLE	DATE OF BIRTH	AGE	GENDER
ADDRESS: STREET, CITY, STATE, ZIP			CONTACT PHONE - INCLUDE AREA CODE		
INJURIES	INJURED TAKEN BY	EMS AGENCY (NAME)	INJURED TAKEN TO: MEDICAL FACILITY (NAME, CITY)	SAFETY EQUIPMENT USED	<input type="checkbox"/> DOT-COMPLIANT MC HELMET SEATING POSITION AIR BAG USAGE EJECTION TRAPPED

INJURIES	SAFETY EQUIPMENT USED	SEATING POSITION	AIR BAG USAGE
1 - FATAL	1 - NONE USED - VEHICLE OCCUPANT	1 - FRONT - LEFT SIDE (MOTORCYCLE DRIVER)	1 - NOT DEPLOYED
2 - SUSPECTED SERIOUS INJURY	2 - SHOULDER BELT ONLY USED	2 - FRONT - MIDDLE	2 - DEPLOYED FRONT
3 - SUSPECTED MINOR INJURY	3 - LAP BELT ONLY USED	3 - FRONT - RIGHT SIDE	3 - DEPLOYED SIDE
4 - POSSIBLE INJURY	4 - SHOULDER & LAP BELT USED	4 - SECOND - LEFT SIDE (MOTORCYCLE PASSENGER)	4 - DEPLOYED BOTH FRONT/SIDE
5 - NO APPARENT INJURY	5 - CHILD RESTRAINT SYSTEM - FORWARD FACING	5 - SECOND - MIDDLE	5 - NOT APPLICABLE
	6 - CHILD RESTRAINT SYSTEM - REAR FACING	6 - SECOND - RIGHT SIDE	9 - DEPLOYMENT UNKNOWN
	7 - BOOSTER SEAT	7 - THIRD - LEFT SIDE (MOTORCYCLE SIDE CAR)	
	8 - HELMET USED	8 - THIRD - MIDDLE	
	9 - PROTECTIVE PADS USED (ELBOW, KNEES, ETC.)	9 - THIRD - RIGHT SIDE	
	10 - REFLECTIVE CLOTHING	10 - SLEEPER SECTION OF TRUCK CAB	
	11 - LIGHTING - PEDESTRIAN / BICYCLE ONLY	11 - PASSENGER IN OTHER ENCLOSED CARGO AREA (NON-TRAILING UNIT, BUS, PICK-UP WITH CAP)	
	99 - OTHER / UNKNOWN	12 - PASSENGER IN UNENCLOSED CARGO AREA	
		13 - TRAILING UNIT	
		14 - RIDING ON VEHICLE EXTERIOR (NON-TRAILING UNIT)	
		15 - NON-MOTORIST	
		99 - OTHER / UNKNOWN	

WITNESS	NAME: LAST, FIRST, MIDDLE	DATE OF BIRTH	AGE	GENDER
ADDRESS: STREET, CITY, STATE, ZIP		CONTACT PHONE - INCLUDE AREA CODE		
WITNESS	NAME: LAST, FIRST, MIDDLE	DATE OF BIRTH	AGE	GENDER
ADDRESS: STREET, CITY, STATE, ZIP		CONTACT PHONE - INCLUDE AREA CODE		
WITNESS	NAME: LAST, FIRST, MIDDLE	DATE OF BIRTH	AGE	GENDER
ADDRESS: STREET, CITY, STATE, ZIP		CONTACT PHONE - INCLUDE AREA CODE		