



# TRAFFIC CRASH REPORT

\*DENOTES MANDATORY FIELD FOR SUPPLEMENT REPORT

LOCAL REPORT NUMBER\*

000190019437

PHOTOS TAKEN  
 SECONDARY CRASH  
 OH-2  
 OH-3  
 OH-1P  
 OTHER  
 PRIVATE PROPERTY

LOCAL INFORMATION  
 REPORTING AGENCY NAME\* **CLERMONT COUNTY SHERIFF**  
 NCIC\* **13000**

HIT/SKIP  
 1 - SOLVED  
 2 - UNSOLVED  
 NUMBER OF UNITS **01**  
 UNIT IN ERROR  
 98 - ANIMAL  
 99 - UNKNOWN

COUNTY\* **13** LOCALITY\* **3** LOCATION: CITY, VILLAGE, TOWNSHIP\* **BATAVIA**

CRASH DATE / TIME\* **05-19-19 0012** CRASH SEVERITY **5**  
 1 - FATAL  
 2 - SERIOUS INJURY SUSPECTED  
 3 - MINOR INJURY SUSPECTED  
 4 - INJURY POSSIBLE  
 5 - PROPERTY DAMAGE ONLY

ROUTE TYPE **SR** ROUTE NUMBER **222** PREFIX **2** LOCATION ROAD NAME **STATE ROUTE 222** ROAD TYPE **SR**

LATITUDE DECIMAL DEGREES **39.033473**

ROUTE TYPE **RD** ROUTE NUMBER **3** PREFIX **3** REFERENCE ROAD NAME (ROAD, MILEPOST, HOUSE #) **CHAPEL** ROAD TYPE **RD**

LONGITUDE DECIMAL DEGREES **-84.179026**

REFERENCE POINT **1** DIRECTION FROM REFERENCE **3** ROUTE TYPE **SR** ROAD TYPE **SR**  
 1 - INTERSECTION  
 2 - MILE POST  
 3 - HOUSE #  
 1 - NORTH  
 2 - SOUTH  
 3 - EAST  
 4 - WEST  
 IR - INTERSTATE ROUTE(TP)  
 US - FEDERAL US ROUTE  
 SR - STATE ROUTE  
 CR - NUMBERED COUNTY ROUTE  
 TR - NUMBERED TOWNSHIP ROUTE  
 AL - ALLEY  
 AV - AVENUE  
 BL - BOULEVARD  
 CR - CIRCLE  
 CT - COURT  
 DR - DRIVE  
 HE - HEIGHTS  
 HW - HIGHWAY  
 LA - LANE  
 MP - MILEPOST  
 OV - OVAL  
 PK - PARKWAY  
 PI - PIKE  
 PL - PLACE  
 RD - ROAD  
 SQ - SQUARE  
 ST - STREET  
 TE - TERRACE  
 TL - TRAIL  
 WA - WAY

INTERSECTION RELATED  
 WITHIN INTERSECTION OR ON APPROACH  
 WITHIN INTERCHANGE AREA NUMBER OF APPROACHES  
 ROADWAY  
 ROADWAY DIVIDED

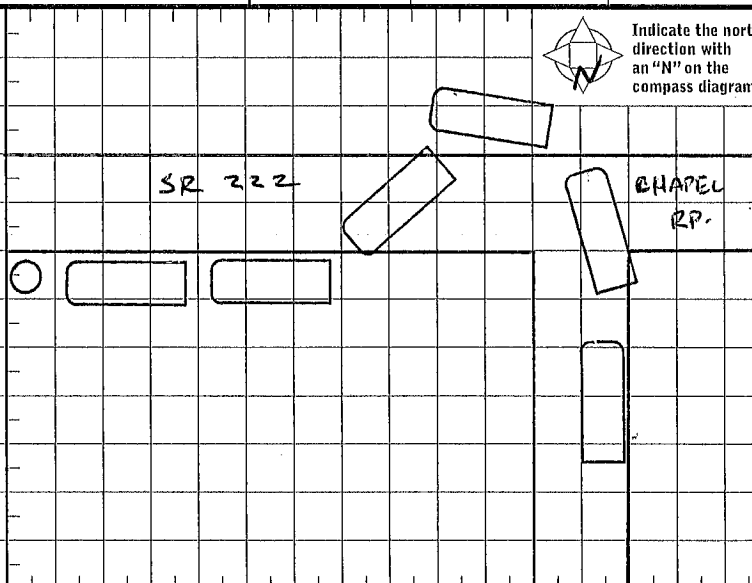
LOCATION OF FIRST HARMFUL EVENT **06** MANNER OF CRASH COLLISION/IMPACT **1** DIRECTION OF TRAVEL **2** MEDIAN TYPE **1**  
 1 - ON ROADWAY  
 2 - ON SHOULDER  
 3 - IN MEDIAN  
 4 - ON ROADSIDE  
 5 - ON GORE  
 6 - OUTSIDE TRAFFIC WAY  
 7 - ON RAMP  
 8 - OFF RAMP  
 9 - CROSSOVER  
 10 - DRIVEWAY/ALLEY ACCESS  
 11 - RAILWAY GRADE CROSSING  
 12 - SHARED USE PATHS OR TRAILS  
 13 - BIKE LANE  
 14 - TOLL BOOTH  
 99 - OTHER / UNKNOWN  
 1 - NOT COLLISION BETWEEN TWO MOTOR VEHICLES IN TRANSPORT  
 2 - REAR-END  
 3 - HEAD-ON  
 4 - REAR-TO-REAR  
 5 - BACKING  
 6 - ANGLE  
 7 - SIDESWIPE, SAME DIRECTION  
 8 - SIDESWIPE, OPPOSITE DIRECTION  
 9 - OTHER / UNKNOWN  
 1 - NORTH  
 2 - SOUTH  
 3 - EAST  
 4 - WEST  
 1 - DIVIDED FLUSH MEDIAN (<4 FEET)  
 2 - DIVIDED FLUSH MEDIAN (>4 FEET)  
 3 - DIVIDED, DEPRESSED MEDIAN  
 4 - DIVIDED, RAISED MEDIAN (ANYTYPE)  
 9 - OTHER/UNKNOWN

WORK ZONE RELATED  
 WORKERS PRESENT  
 LAW ENFORCEMENT PRESENT  
 ACTIVE SCHOOL ZONE  
 WORK ZONE TYPE  
 1 - LANE CLOSURE  
 2 - LANE SHIFT/CROSSOVER  
 3 - WORK ON SHOULDER OR MEDIAN  
 4 - INTERMITTENT OR MOVING WORK  
 5 - OTHER  
 LOCATION OF CRASH IN WORK ZONE  
 1 - BEFORE THE 1ST WORK ZONE WARNING SIGN  
 2 - ADVANCE WARNING AREA  
 3 - TRANSITION AREA  
 4 - ACTIVITY AREA  
 5 - TERMINATION AREA

CONTOUR **3** CONDITIONS **1** SURFACE **2**  
 1 - STRAIGHT LEVEL  
 2 - STRAIGHT GRADE  
 3 - CURVE LEVEL  
 4 - CURVE GRADE  
 9 - OTHER/UNKNOWN  
 1 - DRY  
 2 - WET  
 3 - SNOW  
 4 - ICE  
 5 - SAND, MUD, DIRT, OIL, GRAVEL  
 6 - WATER (STANDING, MOVING)  
 7 - SLUSH  
 9 - OTHER/UNKNOWN  
 1 - CONCRETE  
 2 - BLACKTOP, BITUMINOUS, ASPHALT  
 3 - BRICK/BLOCK  
 4 - SLAG, GRAVEL, STONE  
 5 - DIRT  
 9 - OTHER/UNKNOWN

LIGHT CONDITION **3** WEATHER **01**  
 1 - DAYLIGHT  
 2 - DAWN/DUSK  
 3 - DARK - LIGHTED ROADWAY  
 4 - DARK - ROADWAY NOT LIGHTED  
 5 - DARK - UNKNOWN ROADWAY LIGHTING  
 9 - OTHER / UNKNOWN  
 1 - CLEAR  
 2 - CLOUDY  
 3 - FOG, SMOG, SMOKE  
 4 - RAIN  
 5 - SLEET, HAIL  
 6 - SNOW  
 7 - SEVERE CROSSWINDS  
 8 - BLOWING SAND, SOIL, DIRT, SNOW  
 9 - FREEZING RAIN OR FREEZING DRIZZLE  
 99 - OTHER / UNKNOWN

NARRATIVE  
 UNIT 1 WAS TRAVELING SOUTH ON SR 222 APPROACHING CHAPEL RP. UNIT 1 LEFT THE ROADWAY RIGHT, CROSSED OVER DOUBLE YELLOW, RAN OFF ROAD LEFT. UNIT 1 WENT INTO CULVERT AND CONTINUED FOR 133 FT. BEFORE THE VEHICLE CAME TO A STOP. UNIT 1 SUFFERED HEAVY FRONT END DAMAGE AND UNDERCARRIAGE DAMAGE, DUE TO RUNNING OVER A DRAINAGE CULVERT PIPE. UNIT 1 FLED THE SCENE ON FOOT AND LATER RETURNED AND WAS CHARGED WITH OUI.



CRASH REPORTED DATE / TIME **05192019 0012** DISPATCH DATE / TIME **05192019 0012** ARRIVAL DATE / TIME **05192019 0030** SCENE CLEARED DATE / TIME **05192019 0147** REPORT TAKEN BY  POLICE AGENCY  
 MOTORIST  
 SUPPLEMENT (CORRECTION OR ADDITION TO AN EXISTING REPORT SENT TO OOS)  
 TOTAL TIME ROADWAY CLOSED **090** OTHER INVESTIGATION TIME **090** TOTAL MINUTES **090** OFFICER'S NAME\* **SWALLEN** CHECKED BY OFFICER'S NAME\* **Dep. D. Scott**  
 OFFICER'S BADGE NUMBER\* **11152** CHECKED BY OFFICER'S BADGE NUMBER\* **2367**

**OWNER**

UNIT # 01 OWNER NAME: LAST, FIRST, MIDDLE (☐ SAME AS DRIVER)  
MOORE, GEORGE, A.

OWNER ADDRESS: STREET, CITY, STATE, ZIP (☐ SAME AS DRIVER)  
2611 SALTIRE RD. BETHEL, OH. 45106

COMMERCIAL CARRIER: NAME, ADDRESS, CITY, STATE, ZIP  
 COMMERCIAL CARRIER PHONE: INCLUDE AREA CODE

**DAMAGE**

DAMAGE SCALE

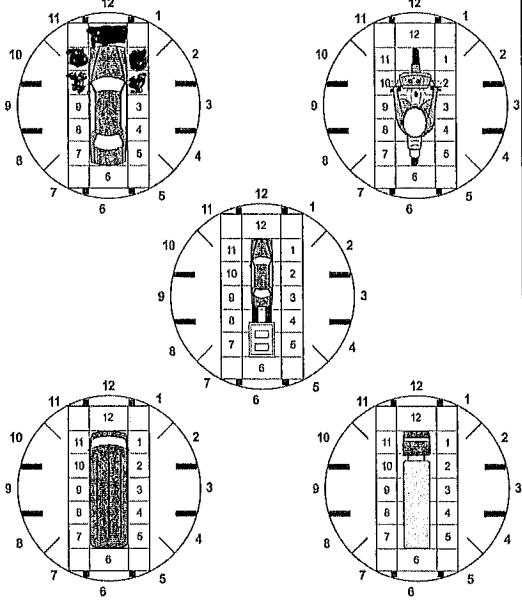
4 1 - NONE 3 - FUNCTIONAL DAMAGE  
 2 - MINOR DAMAGE 4 - DISABLING DAMAGE  
 9 - UNKNOWN

**VEHICLE**

LP STATE OH LICENSE PLATE # ETE6112 VEHICLE IDENTIFICATION # SN1AN08WY7C546867 VEHICLE YEAR 2007 VEHICLE MAKE NISSAN

INSURANCE VERIFIED  INSURANCE COMPANY \_\_\_\_\_ INSURANCE POLICY # \_\_\_\_\_ COLOR GREY VEHICLE MODEL XTERRA

**DAMAGED AREA(S)**  
 INDICATE ALL THAT APPLY



TYPE OF USE:  COMMERCIAL  GOVERNMENT  IN EMERGENCY RESPONSE

US DOT # \_\_\_\_\_

VEHICLE WEIGHT GVWR/GCWR: 1 - ≤10K LBS., 2 - 10,001 - 26K LBS., 3 - >26K LBS.

TOWED BY: COMPANY NAME NICHOLSVILLE TOWING

HAZARDOUS MATERIAL:  MATERIAL RELEASED  PLACARD

CLASS # \_\_\_\_\_ PLACARD ID # \_\_\_\_\_

**UNIT TYPE**

03 1 - PASSENGER CAR 7 - MOTORCYCLE 2-WHEELED 12 - GOLF CART 18 - LIMO (LIVERY VEHICLE) 23 - PEDESTRIAN / SKATER  
 2 - PASSENGER VAN (MINIVAN) 8 - MOTORCYCLE 3-WHEELED 13 - SNOWMOBILE 19 - BUS (16+ PASSENGERS) 24 - WHEELCHAIR (ANY TYPE)  
 3 - SPORT UTILITY VEHICLE 9 - AUTOCYCLE 14 - SINGLE UNIT TRUCK 20 - OTHER VEHICLE 25 - OTHER NON-MOTORIST  
 4 - PICK UP 10 - MOPED OR MOTORIZED BICYCLE 15 - SEMI-TRACTOR 21 - HEAVY EQUIPMENT 26 - BICYCLE  
 5 - CARGO VAN 11 - ALL TERRAIN VEHICLE (ATV / UTV) 16 - FARM EQUIPMENT 22 - ANIMAL WITH RIDER OR ANIMAL-DRAWN VEHICLE 27 - TRAIN  
 6 - VAN (9-15 SEATS) 17 - MOTORHOME

0 # OF TRAILING UNITS

WAS VEHICLE OPERATING IN AUTONOMOUS MODE WHEN CRASH OCCURRED? 0

1 - YES 2 - NO 9 - OTHER / UNKNOWN

AUTONOMOUS MODE LEVEL: 0

0 - NO AUTOMATION 3 - CONDITIONAL AUTOMATION 9 - UNKNOWN  
 1 - DRIVER ASSISTANCE 4 - HIGH AUTOMATION  
 2 - PARTIAL AUTOMATION 5 - FULL AUTOMATION

**SPECIAL FUNCTION**

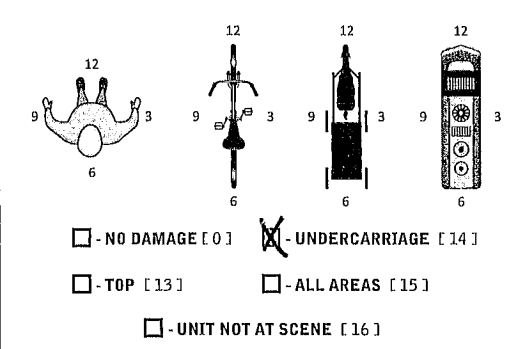
01 1 - NONE 6 - BUS - CHARTER/TOUR 11 - FIRE 16 - FARM 21 - MAIL CARRIER  
 2 - TAXI 7 - BUS - INTERCITY 12 - MILITARY 17 - MOWING 99 - OTHER / UNKNOWN  
 3 - ELECTRONIC RIDE SHARING 8 - BUS - SHUTTLE 13 - POLICE 18 - SNOW REMOVAL  
 4 - SCHOOL TRANSPORT 9 - BUS - OTHER 14 - PUBLIC UTILITY 19 - TOWING  
 5 - BUS - TRANSIT/COMMUTER 10 - AMBULANCE 15 - CONSTRUCTION EQUIPMENT 20 - SAFETY SERVICE PATROL

**CARGO BODY TYPE**

01 1 - NO CARGO BODY TYPE / NOT APPLICABLE 3 - VEHICLE TOWING ANOTHER MOTOR VEHICLE 5 - INTERMODAL CONTAINER CHASSIS 8 - POLE 12 - CONCRETE MIXER  
 2 - BUS 4 - LOGGING 6 - CARGO VAN/ENCLOSED BOX 9 - CARGO TANK 13 - AUTO TRANSPORTER  
 7 - GRAIN/CHIPS/GRAVEL 10 - FLAT BED 14 - GARBAGE/REFUSE 19 - OTHER / UNKNOWN  
 11 - DUMP

**VEHICLE DEFECTS**

01 1 - TURN SIGNALS 4 - BRAKES 7 - WORN OR SLICK TIRES 9 - MOTOR TROUBLE 99 - OTHER / UNKNOWN  
 2 - HEAD LAMPS 5 - STEERING 8 - TRAILER EQUIPMENT DEFECTIVE 10 - DISABLED FROM PRIOR ACCIDENT  
 3 - TAIL LAMPS 6 - TIRE BLOWOUT



**NON-MOTORIST LOCATION AT IMPACT**

01 1 - INTERSECTION - MARKED CROSSWALK 3 - INTERSECTION - OTHER 6 - BICYCLE LANE 9 - MEDIAN/CROSSING ISLAND 12 - FIRST RESPONDER AT INCIDENT SCENE  
 2 - INTERSECTION - UNMARKED CROSSWALK 4 - MIDBLOCK - MARKED CROSSWALK 7 - SHOULDER / ROADSIDE 10 - DRIVEWAY ACCESS  
 5 - TRAVEL LANE - OTHER LOCATION 8 - SIDEWALK 11 - SHARED USE PATHS OR TRAILS 99 - OTHER / UNKNOWN

**ACTION**

2 1 - NON-CONTACT 1 - STRAIGHT AHEAD 7 - MAKING U-TURN 13 - NEGOTIATING A CURVE OR LEAVING VEHICLE 18 - APPROACHING OR LEAVING VEHICLE  
 2 - NON-COLLISION 2 - BACKING 8 - ENTERING TRAFFIC LANE 14 - ENTERING OR CROSSING SPECIFIED LOCATION 19 - STANDING  
 3 - STRIKING 13 3 - CHANGING LANES 9 - LEAVING TRAFFIC LANE 15 - WALKING, RUNNING, JOGGING, PLAYING 20 - OTHER NON-MOTORIST  
 4 - STRUCK PRE-CRASH ACTIONS 4 - OVERTAKING/PASSING 10 - PARKED 16 - WORKING 21 - STANDING OUTSIDE DISABLED VEHICLE  
 5 - BOTH STRIKING & STRUCK 5 - MAKING RIGHT TURN 11 - SLOWING OR STOPPED IN TRAFFIC 17 - PUSHING VEHICLE 99 - OTHER / UNKNOWN  
 9 - OTHER / UNKNOWN 6 - MAKING LEFT TURN 12 - DRIVERLESS

**INITIAL POINT OF CONTACT**

14 0 - NO DAMAGE 14 - UNDERCARRIAGE  
 1-12 - REFER TO UNIT DIAGRAM 15 - VEHICLE NOT AT SCENE  
 13 - TOP 99 - UNKNOWN

**CONTRIBUTING CIRCUMSTANCES**

11 1 - NONE 7 - LEFT OF CENTER 13 - IMPROPER START FROM A PARKED POSITION 17 - VISION OBSTRUCTION 21 - LYING IN ROADWAY  
 2 - FAILURE TO YIELD 8 - FOLLOWING TOO CLOSE / ACDA 14 - STOPPED OR PARKED ILLEGALLY 18 - OPERATING DEFECTIVE EQUIPMENT 22 - NOT DISCERNIBLE  
 3 - RAN RED LIGHT 9 - IMPROPER LANE CHANGE 15 - SWERVING TO AVOID 19 - LOAD SHIFTING/FALLING/SPILLING 23 - OPENING DOOR INTO ROADWAY  
 4 - RAN STOP SIGN 10 - IMPROPER PASSING 16 - WRONG WAY 20 - IMPROPER CROSSING 99 - OTHER IMPROPER ACTION  
 5 - UNSAFE SPEED 11 - DROVE OFF ROAD 17 - VISION OBSTRUCTION 21 - LYING IN ROADWAY  
 6 - IMPROPER TURN 12 - IMPROPER BACKING

**TRAFFIC**

TRAFFICWAY FLOW: 2 1 - ONE-WAY 2 - TWO-WAY

TRAFFIC CONTROL: 6 1 - ROUNDABOUT 4 - STOP SIGN 2 - SIGNAL 5 - YIELD SIGN 3 - FLASHER 6 - NO CONTROL

**SEQUENCE OF EVENTS**

08 1 - OVERTURN/ROLLOVER 6 - EQUIPMENT FAILURE 11 - CROSS CENTERLINE -- OPPOSITE DIRECTION OF TRAVEL 16 - RAILWAY VEHICLE 22 - WORK ZONE MAINTENANCE EQUIPMENT  
09 2 - FIRE/EXPLOSION 7 - SEPARATION OF UNITS 12 - DOWNHILL RUNAWAY 17 - ANIMAL - FARM 23 - STRUCK BY FALLING, SHIFTING CARGO OR ANYTHING SET IN MOTION BY A MOTOR VEHICLE  
09 3 - IMMERSION 8 - RAN OFF ROAD RIGHT 13 - OTHER NON-COLLISION 18 - ANIMAL - DEER 24 - OTHER MOVABLE OBJECT  
09 4 - JACKKNIFE 9 - RAN OFF ROAD LEFT 14 - PEDESTRIAN 19 - ANIMAL - OTHER 20 - MOTOR VEHICLE IN TRANSPORT  
09 5 - CARGO / EQUIPMENT LOSS OR SHIFT 10 - CROSS MEDIAN 15 - PEDALCYCLE 21 - PARKED MOTOR VEHICLE

# OF THROUGH LANES ON ROAD: 2

RAIL GRADE CROSSING: 1 1 - NOT INVOLVED 2 - INVOLVED-ACTIVE CROSSING 3 - INVOLVED-PASSIVE CROSSING

**COLLISION WITH FIXED OBJECT - STRUCK**

4 - \_\_\_\_\_ 25 - IMPACT ATTENUATOR / CRASH CUSHION 31 - GUARDRAIL END 37 - TRAFFIC SIGN POST 43 - CURB 50 - WORK ZONE MAINTENANCE EQUIPMENT  
 5 - \_\_\_\_\_ 26 - BRIDGE OVERHEAD STRUCTURE 32 - PORTABLE BARRIER 38 - OVERHEAD SIGN POST 44 - DITCH 51 - WALL 52 - BUILDING  
 6 - \_\_\_\_\_ 27 - BRIDGE PIER OR ABUTMENT BARRIER 33 - MEDIAN CABLE BARRIER 39 - LIGHT / LUMINARIES SUPPORT 45 - EMBANKMENT 46 - FENCE 53 - TUNNEL  
 28 - BRIDGE PARAPET 34 - MEDIAN GUARDRAIL BARRIER 40 - UTILITY POLE 47 - MAILBOX 54 - OTHER FIXED OBJECT 99 - OTHER / UNKNOWN  
 29 - BRIDGE RAIL 35 - MEDIAN CONCRETE BARRIER 41 - OTHER POST, POLE OR SUPPORT 48 - TREE  
 30 - GUARDRAIL FACE 36 - MEDIAN OTHER BARRIER 42 - CULVERT 49 - FIRE HYDRANT

1 FIRST HARMFUL EVENT 3 MOST HARMFUL EVENT

**UNIT / NON-MOTORIST DIRECTION**

FROM 1 TO 2

1 - NORTH 5 - NORTHEAST 2 - SOUTH 6 - NORTHWEST 3 - EAST 7 - SOUTHEAST 4 - WEST 8 - SOUTHWEST 9 - OTHER / UNKNOWN

**UNIT SPEED**

55

**POSTED SPEED**

55

**DETECTED SPEED**

3 1 - STATED / ESTIMATED SPEED 2 - CALCULATED / EDR 3 - UNDETERMINED



# MOTORIST / Non-MOTORIST

LOCAL REPORT NUMBER  
000190019437

UNIT # 01	NAME: LAST, FIRST, MIDDLE KELLY, DAWN, M.	DATE OF BIRTH 03-25-1979	AGE 40	GENDER F
ADDRESS: STREET, CITY, STATE, ZIP 2611 SALTIRE RD. BETHEL, OH. 45106		CONTACT PHONE - INCLUDE AREA CODE		
INJURIES TAKEN BY 5	EMS AGENCY (NAME)	INJURED TAKEN TO: MEDICAL FACILITY (NAME, CITY)	SAFETY EQUIPMENT USED 04	<input type="checkbox"/> DOT-COMPLIANT MC HELMET SEATING POSITION 01 AIR BAG USAGE 1 EJECTION 1 TRAPPED 1
OL STATE OH	OPERATOR LICENSE NUMBER SS 136746	OFFENSE CHARGED 4511.19 AIA 4511.202 4511.19 AIA	LOCAL CODE <input type="checkbox"/>	OFFENSE DESCRIPTION OVI / FAILURE TO CONTROL
OL CLASS 4	ENDORSEMENT SELECT UP TO 2	RESTRICTION SELECT UP TO 3	DRIVER DISTRACTED BY 1	ALCOHOL / DRUG SUSPECTED <input checked="" type="checkbox"/> ALCOHOL <input type="checkbox"/> MARIJUANA <input type="checkbox"/> OTHER DRUG
CONDITION 6		ALCOHOL TEST STATUS TYPE VALUE 4 4 209		DRUG TEST(S) STATUS TYPE RESULT SELECT UP TO 4

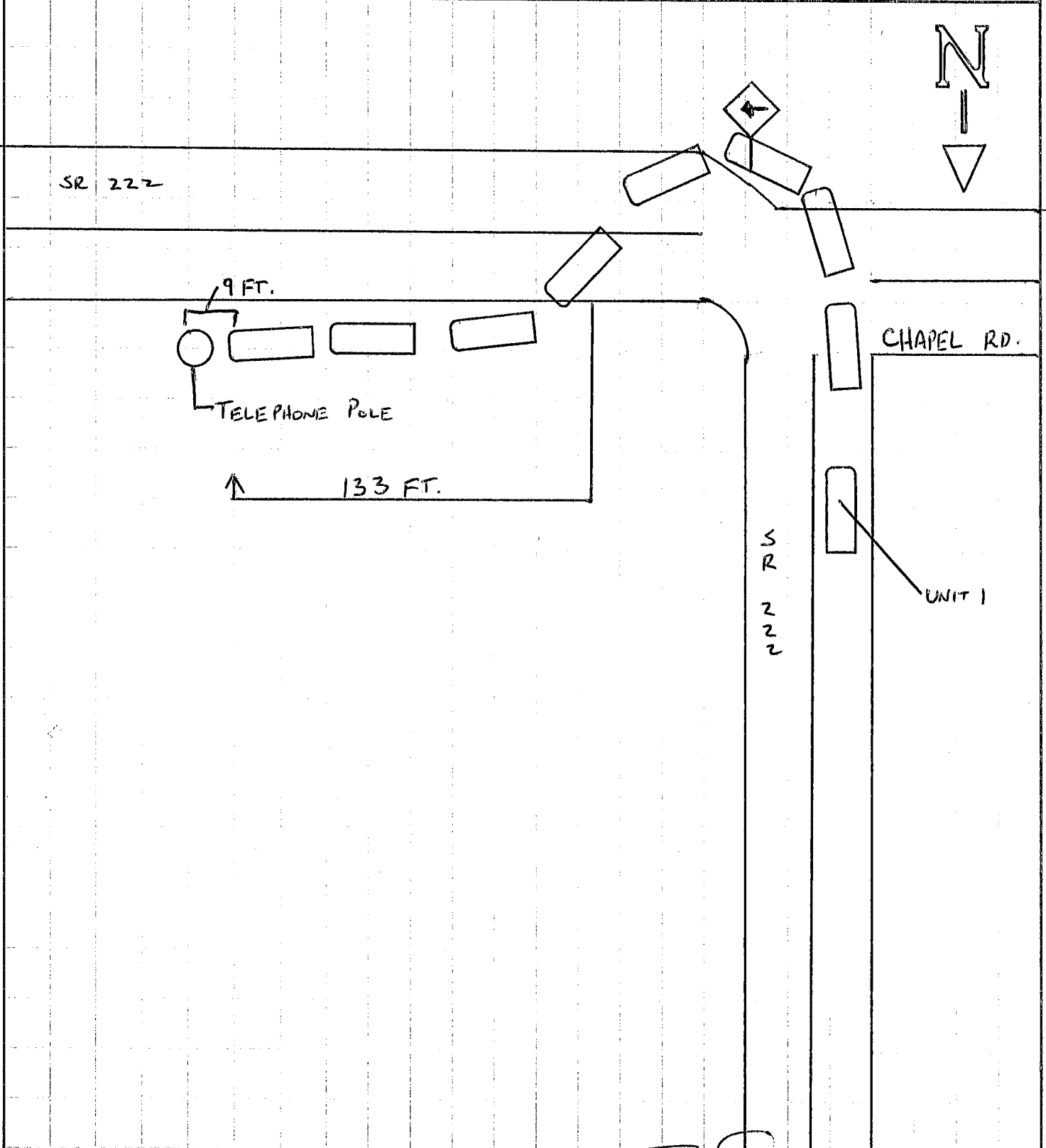
UNIT #	NAME: LAST, FIRST, MIDDLE	DATE OF BIRTH	AGE	GENDER
ADDRESS: STREET, CITY, STATE, ZIP		CONTACT PHONE - INCLUDE AREA CODE		
INJURIES TAKEN BY	EMS AGENCY (NAME)	INJURED TAKEN TO: MEDICAL FACILITY (NAME, CITY)	SAFETY EQUIPMENT USED	<input type="checkbox"/> DOT-COMPLIANT MC HELMET SEATING POSITION AIR BAG USAGE EJECTION TRAPPED
OL STATE	OPERATOR LICENSE NUMBER	OFFENSE CHARGED	LOCAL CODE <input type="checkbox"/>	OFFENSE DESCRIPTION
OL CLASS	ENDORSEMENT SELECT UP TO 2	RESTRICTION SELECT UP TO 3	DRIVER DISTRACTED BY	ALCOHOL / DRUG SUSPECTED <input type="checkbox"/> ALCOHOL <input type="checkbox"/> MARIJUANA <input type="checkbox"/> OTHER DRUG
CONDITION		ALCOHOL TEST STATUS TYPE VALUE		DRUG TEST(S) STATUS TYPE RESULT SELECT UP TO 4

UNIT #	NAME: LAST, FIRST, MIDDLE	DATE OF BIRTH	AGE	GENDER
ADDRESS: STREET, CITY, STATE, ZIP		CONTACT PHONE - INCLUDE AREA CODE		
INJURIES TAKEN BY	EMS AGENCY (NAME)	INJURED TAKEN TO: MEDICAL FACILITY (NAME, CITY)	SAFETY EQUIPMENT USED	<input type="checkbox"/> DOT-COMPLIANT MC HELMET SEATING POSITION AIR BAG USAGE EJECTION TRAPPED
OL STATE	OPERATOR LICENSE NUMBER	OFFENSE CHARGED	LOCAL CODE <input type="checkbox"/>	OFFENSE DESCRIPTION
OL CLASS	ENDORSEMENT SELECT UP TO 2	RESTRICTION SELECT UP TO 3	DRIVER DISTRACTED BY	ALCOHOL / DRUG SUSPECTED <input type="checkbox"/> ALCOHOL <input type="checkbox"/> MARIJUANA <input type="checkbox"/> OTHER DRUG
CONDITION		ALCOHOL TEST STATUS TYPE VALUE		DRUG TEST(S) STATUS TYPE RESULT SELECT UP TO 4

INJURIES	SEATING POSITION	AIR BAG	OL CLASS	OL RESTRICTION(S)	DRIVER DISTRACTION	TEST STATUS
1 - FATAL	1 - FRONT - LEFT SIDE (MOTORCYCLE DRIVER)	1 - NOT DEPLOYED	1 - CLASS A	1 - ALCOHOL INTERLOCK DEVICE	1 - NOT DISTRACTED	1 - NONE GIVEN
2 - SUSPECTED SERIOUS INJURY	2 - FRONT - MIDDLE	2 - DEPLOYED FRONT	2 - CLASS B	2 - CDL INTRASTATE ONLY	2 - MANUALLY OPERATING AN ELECTRONIC COMMUNICATION DEVICE (TEXTING, TYPING, DIALING)	2 - TEST REFUSED
3 - SUSPECTED MINOR INJURY	3 - FRONT - RIGHT SIDE	3 - DEPLOYED SIDE	3 - CLASS C	3 - CORRECTIVE LENSES	3 - TALKING ON HANDS-FREE COMMUNICATION DEVICE	3 - TEST GIVEN, CONTAMINATED SAMPLE / UNUSABLE
4 - POSSIBLE INJURY	4 - SECOND - LEFT SIDE (MOTORCYCLE PASSENGER)	4 - DEPLOYED BOTH FRONT / SIDE	4 - REGULAR CLASS (OHIO = D)	4 - FARM WAIVER	4 - TALKING ON HAND-HELD COMMUNICATION DEVICE	4 - TEST GIVEN, RESULTS KNOWN
5 - NO APPARENT INJURY	5 - SECOND - MIDDLE	5 - NOT APPLICABLE	5 - M/C MOPED ONLY	5 - EXCEPT CLASS A BUS	5 - OTHER ACTIVITY WITH AN ELECTRONIC DEVICE	5 - TEST GIVEN, RESULTS UNKNOWN
INJURED TAKEN BY	6 - SECOND - RIGHT SIDE	9 - DEPLOYMENT UNKNOWN	6 - NO VALID OL	6 - EXCEPT CLASS A & CLASS B BUS	6 - PASSENGER	ALCOHOL TEST TYPE
1 - NOT TRANSPORTED / TREATED AT SCENE	7 - THIRD - LEFT SIDE (MOTORCYCLE SIDE CAR)	EJECTION	OL ENDORSEMENT	7 - EXCEPT TRACTOR-TRAILER	7 - OTHER DISTRACTION INSIDE THE VEHICLE	1 - NONE
2 - EMS	8 - THIRD - MIDDLE	1 - NOT EJECTED	H - HAZMAT	8 - INTERMEDIATE LICENSE RESTRICTIONS	8 - OTHER DISTRACTION OUTSIDE THE VEHICLE	2 - BLOOD
3 - POLICE	9 - THIRD - RIGHT SIDE	2 - PARTIALLY EJECTED	M - MOTORCYCLE	9 - LEARNER'S PERMIT RESTRICTIONS	9 - OTHER / UNKNOWN	3 - URINE
9 - OTHER / UNKNOWN	10 - SLEEPER SECTION OF TRUCK CAB	3 - TOTALLY EJECTED	P - PASSENGER	10 - LIMITED TO DAYLIGHT ONLY	CONDITION	4 - BREATH
SAFETY EQUIPMENT	11 - PASSENGER IN OTHER ENCLOSED CARGO AREA (NON-TRAILING UNIT, BUS, PICK-UP WITH CAP)	4 - NOT APPLICABLE	N - TANKER	11 - LIMITED TO EMPLOYMENT	1 - APPARENTLY NORMAL	5 - OTHER
1 - NONE USED	12 - PASSENGER IN UNENCLOSED CARGO AREA	TRAPPED	Q - MOTOR SCOOTER	12 - LIMITED - OTHER	2 - PHYSICAL IMPAIRMENT	DRUG TEST TYPE
2 - SHOULDER BELT ONLY USED	13 - TRAILING UNIT	1 - NOT TRAPPED	R - THREE-WHEEL MOTORCYCLE	13 - MECHANICAL DEVICES (SPECIAL BRAKES, HAND CONTROLS, OR OTHER ADAPTIVE DEVICES)	3 - EMOTIONAL (E.G., DEPRESSED, ANGRY, DISTURBED)	1 - NONE
3 - LAP BELT ONLY USED	14 - RIDING ON VEHICLE EXTERIOR (NON-TRAILING UNIT)	2 - EXTRICATED BY MECHANICAL MEANS	S - SCHOOL BUS	14 - MILITARY VEHICLES ONLY	4 - ILLNESS	2 - BLOOD
4 - SHOULDER & LAP BELT USED	15 - NON-MOTORIST	3 - FREED BY NON-MECHANICAL MEANS	T - DOUBLE & TRIPLE TRAILERS	15 - MOTOR VEHICLES WITHOUT AIR BRAKES	5 - FELL ASLEEP, FAINTED, FATIGUED, ETC.	3 - URINE
5 - CHILD RESTRAINT SYSTEM - FORWARD FACING	99 - OTHER / UNKNOWN		X - TANKER / HAZMAT	16 - OUTSIDE MIRROR	6 - UNDER THE INFLUENCE OF MEDICATIONS / DRUGS / ALCOHOL	4 - OTHER
6 - CHILD RESTRAINT SYSTEM - REAR FACING				17 - PROSTHETIC AID	9 - OTHER / UNKNOWN	DRUG TEST RESULT(S)
7 - BOOSTER SEAT				18 - OTHER		1 - AMPHETAMINES
8 - HELMET USED						2 - BARBITURATES
9 - PROTECTIVE PADS USED (ELBOW, KNEES, ETC.)						3 - BENZODIAZEPINES
10 - REFLECTIVE CLOTHING						4 - CANNABINOIDS
11 - LIGHTING - PEDESTRIAN / BICYCLE ONLY						5 - COCAINE
99 - OTHER / UNKNOWN						6 - OPIATES / OPIOIDS
						7 - OTHER
						8 - NEGATIVE RESULTS



LOCAL REPORT NUMBER 000190019437	REPORTING AGENCY CLERMONT COUNTY SHERIFF	DATE OF CRASH M 5   D 19   Y 19
IN COUNTY OF CLERMONT	CRASH LOCATION SR 222 @ CHAPEL RD.	



NOT TO SCALE

OFFICER'S SIGNATURE

X

BADGE NUMBER

11152