

# TRAFFIC CRASH REPORT

\*DENOTES MANDATORY FIELD FOR SUPPLEMENT REPORT

LOCAL REPORT NUMBER \*

000210004081

<input checked="" type="checkbox"/> PHOTOS TAKEN	<input type="checkbox"/> OH -2	<input type="checkbox"/> OH -3	LOCAL INFORMATION					
<input type="checkbox"/> SECONDARY CRASH	<input type="checkbox"/> OH-1P	<input type="checkbox"/> OTHER	REPORTING AGENCY NAME *		NCIC *	HIT/SKIP 1 - SOLVED 2 - UNSOLVED	NUMBER OF UNITS	UNIT IN ERROR 98 - ANIMAL 99 - UNKNOWN
	<input checked="" type="checkbox"/> PRIVATE PROPERTY		Clermont County Sheriff		01300	2	99	

COUNTY* 13	LOCALITY* 3	LOCATION: CITY, VILLAGE, TOWNSHIP* Monroe (Township of)	CRASH DATE / TIME* 02/03/2021 18:02	CRASH SEVERITY 5
---------------	----------------	--	--	---------------------

ROUTE TYPE	ROUTE NUMBER	PREFIX 1 - NORTH 2 - SOUTH 3 - EAST 4 - WEST	LOCATION ROAD NAME Laurel Nicholasville	ROAD TYPE RD	LATITUDE DECIMAL DEGREES 38.942804	CRASH SEVERITY 1 - FATAL 2 - SERIOUS INJURY SUSPECTED 3 - MINOR INJURY SUSPECTED 4 - INJURY POSSIBLE 5 - PROPERTY DAMAGE ONLY
REFERENCE ROUTE TYPE	REFERENCE ROUTE NUMBER	REFERENCE PREFIX 1 - NORTH 2 - SOUTH 3 - EAST 4 - WEST	REFERENCE ROAD NAME (ROAD, MILEPOST, HOUSE #) 2305	REFERENCE ROAD TYPE	REFERENCE LONGITUDE DECIMAL DEGREES -84.170411	

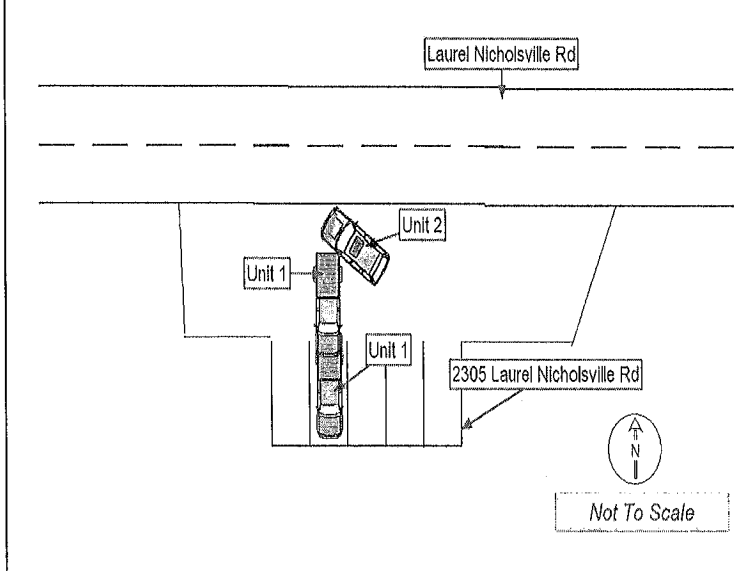
REFERENCE POINT 3	DIRECTION FROM REFERENCE 1 - NORTH 2 - SOUTH 3 - EAST 4 - WEST	ROUTE TYPE IR - INTERSTATE ROUTE (TP) US - FEDERAL US ROUTE SR - STATE ROUTE CR - NUMBERED COUNTY ROUTE TR - NUMBERED TOWNSHIP ROUTE	ROAD TYPE AL - ALLEY AV - AVENUE BL - BOULEVARD CR - CIRCLE CT - COURT DR - DRIVE HE - HEIGHTS	ROAD TYPE HW - HIGHWAY LA - LANE MP - MILEPOST OV - OVAL PK - PARKWAY PI - PIKE PL - PLACE	RD - ROAD SQ - SQUARE ST - STREET TE - TERRACE TL - TRAIL WA - WAY	INTERSECTION RELATED <input type="checkbox"/> WITHIN INTERSECTION OR ON APPROACH <input type="checkbox"/> WITHIN INTERCHANGE AREA	NUMBER OF APPROACHES
DISTANCE FROM REFERENCE	DISTANCE UNIT OF MEASURE 1 - MILES 2 - FEET 3 - YARDS					<b>ROADWAY</b>	
						<input type="checkbox"/> ROADWAY DIVIDED	

LOCATION OF FIRST HARMFUL EVENT 99	MANNER OF CRASH COLLISION/IMPACT 5	DIRECTION OF TRAVEL 1 - NORTH 2 - SOUTH 3 - EAST 4 - WEST	MEDIAN TYPE 1 - DIVIDED FLUSH MEDIAN (<4 FEET) 2 - DIVIDED FLUSH MEDIAN (≥4 FEET) 3 - DIVIDED, DEPRESSED MEDIAN 4 - DIVIDED, RAISED MEDIAN (ANY TYPE) 9 - OTHER / UNKNOWN
---------------------------------------	---------------------------------------	---	--

<input type="checkbox"/> WORK ZONE RELATED <input type="checkbox"/> WORKERS PRESENT <input type="checkbox"/> LAW ENFORCEMENT PRESENT <input type="checkbox"/> ACTIVE SCHOOL ZONE	WORK ZONE TYPE 1 - LANE CLOSURE 2 - LANE SHIFT/ CROSSOVER 3 - WORK ON SHOULDER OR MEDIAN 4 - INTERMITTENT OR MOVING WORK 5 - OTHER	LOCATION OF CRASH IN WORK ZONE 1 - BEFORE THE 1ST WORK ZONE WARNING SIGN 2 - ADVANCE WARNING AREA 3 - TRANSITION AREA 4 - ACTIVITY AREA 5 - TERMINATION AREA	CONTOUR 1	CONDITIONS 1	SURFACE 2
---	---	---	--------------	-----------------	--------------

LIGHT CONDITION 1	WEATHER 1	SURFACE 2
----------------------	--------------	--------------

NARRATIVE  
 Unit 1 was backing and hit Unit 2



CRASH REPORTED DATE / TIME 02/03/2021 18:02	DISPATCH DATE / TIME 02/03/2021 18:02	ARRIVAL DATE / TIME 02/03/2021 18:26	SCENE CLEARED DATE / TIME 02/03/2021 18:49	REPORT TAKEN BY <input checked="" type="checkbox"/> POLICE AGENCY <input type="checkbox"/> MOTORIST
TOTAL TIME ROADWAY CLOSED 0	OTHER INVESTIGATION TIME 0	TOTAL MINUTES 47	OFFICER'S NAME* Deputy T. Goins	CHECKED BY OFFICER'S NAME* Rudd, Jeffrey
			OFFICER'S BADGE NUMBER* 11151	CHECKED BY OFFICER'S BADGE NUMBER* R3052

SUPPLEMENT  
 (CORRECTION OR ADDITION TO AN EXISTING REPORT SENT TO ODPS)

**OWNER**  
**UNIT #** 1 **OWNER NAME:** LAST, FIRST, MIDDLE (  SAME AS DRIVER )  
**FORBES, KIRTUS, DONOVAN**  
**OWNER ADDRESS:** STREET, CITY, STATE, ZIP (  SAME AS DRIVER )  
**210 QUARRY ST, NEW RICHMOND, OH, 45157**  
**COMMERCIAL CARRIER:** NAME, ADDRESS, CITY, STATE, ZIP **COMMERCIAL CARRIER PHONE:** INCLUDE AREA CODE

**LP STATE** OH **LICENSE PLATE #** JBB-7955 **VEHICLE IDENTIFICATION #** 1FTHX25F5TEB27910 **VEHICLE YEAR** 1996 **VEHICLE MAKE** FORD  
 **INSURANCE VERIFIED** **INSURANCE COMPANY** SAFE AUTO **INSURANCE POLICY #** OH1655749 **COLOR** GRY **VEHICLE MODEL** F-250  
 **COMMERCIAL**  **GOVERNMENT**  **IN EMERGENCY RESPONSE** **US DOT #** **TOWED BY:** COMPANY NAME  
 **INTERLOCK DEVICE EQUIPPED**  **HIT/SKIP UNIT** **# OCCUPANTS** 0 **VEHICLE WEIGHT GVWR/GCWR**  
 1 - ≤ 10K LBS.  
 2 - 10,001 - 26K LBS.  
 3 - > 26K LBS.  
**HAZARDOUS MATERIAL**  
 **MATERIAL CLASS #** **PLACARD ID #**  
 **RELEASED**  
 **PLACARD**

**UNIT TYPE**  
 1 - PASSENGER CAR 6 - VAN (9-15 SEATS) 12 - GOLF CART 18 - LIMO (LIVERY VEHICLE) 23 - PEDESTRIAN/SKATER  
 2 - PASSENGER VAN (MINIVAN) 7 - MOTORCYCLE 2-WHEELED 13 - SNOWMOBILE 19 - BUS (16+ PASSENGERS) 24 - WHEELCHAIR (ANY TYPE)  
 3 - SPORT UTILITY VEHICLE 8 - MOTORCYCLE 3-WHEELED 14 - SINGLE UNIT TRUCK 20 - OTHER VEHICLE 25 - OTHER NON-MOTORIST  
 4 - PICK UP 9 - AUTOCYCLE 15 - SEMI-TRACTOR 21 - HEAVY EQUIPMENT 26 - BICYCLE  
 5 - CARGO VAN 10 - MOPED OR MOTORIZED BICYCLE 16 - FARM EQUIPMENT 22 - ANIMAL WITH RIDER OR ANIMAL-DRAWN VEHICLE 27 - TRAIN  
 11 - ALL TERRAIN VEHICLE (ATV/UTV) 17 - MOTORHOME 99 - UNKNOWN OR HIT/SKIP  
**# of TRAILING UNITS**

**WAS VEHICLE OPERATING IN AUTONOMOUS MODE WHEN CRASH OCCURRED?**  
 0 - NO AUTOMATION 3 - CONDITIONAL AUTOMATION 9 - UNKNOWN  
 1 - DRIVER ASSISTANCE 4 - HIGH AUTOMATION  
 1 - YES 2 - NO 9 - OTHER / UNKNOWN **AUTONOMOUS MODE LEVEL**  
 2 - PARTIAL AUTOMATION 5 - FULL AUTOMATION

**SPECIAL FUNCTION**  
 1 - NONE 6 - BUS - CHARTER/TOUR 11 - FIRE 16 - FARM 21 - MAIL CARRIER  
 2 - TAXI 7 - BUS - INTERCITY 12 - MILITARY 17 - MOWING 99 - OTHER / UNKNOWN  
 3 - ELECTRONIC RIDE SHARING 8 - BUS - SHUTTLE 13 - POLICE 18 - SNOW REMOVAL  
 4 - SCHOOL TRANSPORT 9 - BUS - OTHER 14 - PUBLIC UTILITY 19 - TOWING  
 5 - BUS - TRANSIT/COMMUTER 10 - AMBULANCE 15 - CONSTRUCTION EQUIP. 20 - SAFETY SERVICE PATROL

**CARGO BODY TYPE**  
 1 - NO CARGO BODY TYPE / NOT APPLICABLE 4 - LOGGING 7 - GRAIN/CHIPS/GRAVEL 11 - DUMP 99 - OTHER / UNKNOWN  
 2 - BUS 5 - INTERMODAL CONTAINER CHASSIS 8 - POLE 12 - CONCRETE MIXER  
 3 - VEHICLE TOWING ANOTHER MOTOR VEHICLE 6 - CARGO VAN / ENCLOSED BOX 9 - CARGO TANK 13 - AUTO TRANSPORTER  
 10 - FLAT BED 14 - GARBAGE/REFUSE

**VEHICLE DEFECTS**  
 1 - TURN SIGNALS 4 - BRAKES 7 - WORN OR SLICK TIRES 9 - MOTOR TROUBLE 99 - OTHER / UNKNOWN  
 2 - HEAD LAMPS 5 - STEERING 8 - TRAILER EQUIPMENT DEFECTIVE 10 - DISABLED FROM PRIOR ACCIDENT  
 3 - TAIL LAMPS 6 - TIRE BLOWOUT

**NON-MOTORIST LOCATION AT IMPACT**  
 1 - INTERSECTION - MARKED CROSSWALK 4 - MIDBLOCK - MARKED CROSSWALK 7 - SHOULDER/ROADSIDE 10 - DRIVEWAY ACCESS 99 - OTHER / UNKNOWN  
 2 - INTERSECTION - UNMARKED CROSSWALK 5 - TRAVEL LANE - OTHER LOCATION 8 - SIDEWALK 11 - SHARED USE PATHS OR TRAILS  
 3 - INTERSECTION - OTHER 6 - BICYCLE LANE 9 - MEDIAN/CROSSING ISLAND 12 - FIRST RESPONDER AT INCIDENT SCENE

**ACTION**  
 1 - NON-CONTACT 2 - NON-COLLISION 3 - STRIKING 4 - STRUCK 5 - BOTH STRIKING & STRUCK 9 - OTHER / UNKNOWN  
**PRE-CRASH ACTIONS**  
 1 - STRAIGHT AHEAD 2 - BACKING 3 - CHANGING LANES 4 - OVERTAKING/PASSING 5 - MAKING RIGHT TURN 6 - MAKING LEFT TURN 7 - MAKING U-TURN 8 - ENTERING TRAFFIC LANE  
 9 - LEAVING TRAFFIC LANE 10 - PARKED 11 - SLOWING OR STOPPED IN TRAFFIC 12 - DRIVERLESS 13 - NEGOTIATING A CURVE 14 - ENTERING OR CROSSING SPECIFIED LOCATION  
 15 - WALKING, RUNNING, JOGGING, PLAYING 16 - WORKING 17 - PUSHING VEHICLE 18 - APPROACHING OR LEAVING VEHICLE 19 - STANDING 20 - OTHER NON-MOTORIST  
 21 - STANDING OUTSIDE DISABLED VEHICLE 99 - OTHER / UNKNOWN

**CONTRIBUTING CIRCUMSTANCES**  
 1 - NONE 2 - FAILURE TO YIELD 3 - RAN RED LIGHT 4 - RAN STOP SIGN 5 - UNSAFE SPEED 6 - IMPROPER TURN 7 - LEFT OF CENTER  
 8 - FOLLOWING TOO CLOSE /ACDA 9 - IMPROPER LANE CHANGE 10 - IMPROPER PASSING 11 - DROVE OFF ROAD 12 - IMPROPER BACKING  
 13 - IMPROPER START FROM A PARKED POSITION 14 - STOPPED OR PARKED ILLEGALLY 15 - SWERVING TO AVOID 16 - WRONG WAY 17 - VISION OBSTRUCTION  
 18 - OPERATING DEFECTIVE EQUIPMENT 19 - LOAD SHIFTING /FALLING/SPILLING 20 - IMPROPER CROSSING 21 - LYING IN ROADWAY 22 - NOT DISCERNIBLE  
 23 - OPENING DOOR INTO ROADWAY 99 - OTHER IMPROPER ACTION

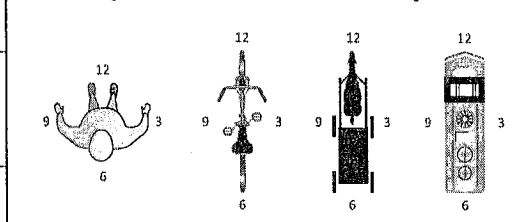
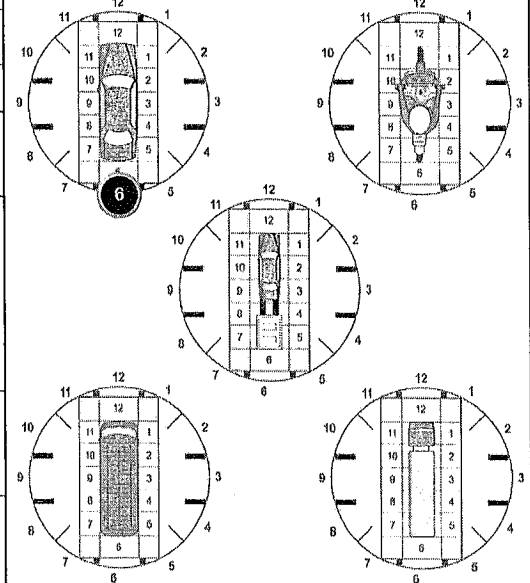
**SEQUENCE OF EVENTS**  
 1 **20** 1 - OVERTURN/ROLLOVER 2 - FIRE/EXPLOSION 3 - IMMERSION 4 - JACKKNIFE 5 - CARGO / EQUIPMENT LOSS OR SHIFT 6 - EQUIPMENT FAILURE  
 7 - SEPARATION OF UNITS 8 - RAN OFF ROAD RIGHT 9 - RAN OFF ROAD LEFT 10 - CROSS MEDIAN 11 - CROSS CENTERLINE - OPPOSITE DIRECTION OF TRAVEL  
**EVENTS**  
 12 - DOWNHILL RUNAWAY 13 - OTHER NON-COLLISION 14 - PEDESTRIAN 15 - PEDALCYCLE 16 - RAILWAY VEHICLE 17 - ANIMAL - FARM 18 - ANIMAL - DEER 19 - ANIMAL - OTHER 20 - MOTOR VEHICLE IN TRANSPORT 21 - PARKED MOTOR VEHICLE 22 - WORK ZONE MAINTENANCE EQUIPMENT 23 - STRUCK BY FALLING, SHIFTING CARGO OR ANYTHING SET IN MOTION BY A MOTOR VEHICLE 24 - OTHER MOVABLE OBJECT

**COLLISION WITH FIXED OBJECT - STRUCK**  
 25 - IMPACT ATTENUATOR / CRASH CUSHION 26 - BRIDGE OVERHEAD STRUCTURE 27 - BRIDGE PIER OR ABUTMENT 28 - BRIDGE PARAPET 29 - BRIDGE RAIL 30 - GUARDRAIL FACE  
 31 - GUARDRAIL END 32 - PORTABLE BARRIER 33 - MEDIAN CABLE BARRIER 34 - MEDIAN GUARDRAIL BARRIER 35 - MEDIAN CONCRETE BARRIER 36 - MEDIAN OTHER BARRIER 37 - TRAFFIC SIGN POST  
 38 - OVERHEAD SIGN POST 39 - LIGHT / LUMINARIES SUPPORT 40 - UTILITY POLE 41 - OTHER POST, POLE OR SUPPORT 42 - CULVERT 43 - CURB 44 - DITCH 45 - EMBANKMENT 46 - FENCE 47 - MAILBOX 48 - TREE 49 - FIRE HYDRANT 50 - WORK ZONE MAINTENANCE EQUIPMENT 51 - WALL 52 - BUILDING 53 - TUNNEL 54 - OTHER FIXED OBJECT 99 - OTHER / UNKNOWN

**LOCAL REPORT NUMBER**  
 000210004081

**DAMAGE**  
**DAMAGE SCALE**  
 1 - NONE 3 - FUNCTIONAL DAMAGE  
 2 - MINOR DAMAGE 4 - DISABLING DAMAGE  
 9 - UNKNOWN

**DAMAGED AREA(S)**  
 INDICATE ALL THAT APPLY



**NO DAMAGE [ 0 ]**  **UNDERCARRIAGE [ 14 ]**  
 **TOP [ 13 ]**  **ALL AREAS [ 15 ]**  
 **UNIT NOT AT SCENE [ 16 ]**

**INITIAL POINT OF CONTACT**  
 0 - NO DAMAGE 14 - UNDERCARRIAGE  
 1-12 - REFER TO UNIT DIAGRAM 15 - VEHICLE NOT AT SCENE  
 99 - UNKNOWN  
 13 - TOP

**TRAFFIC**  
**TRAFFICWAY FLOW**  
 1 - ONE-WAY 2 - TWO-WAY  
**TRAFFIC CONTROL**  
 1 - ROUNDABOUT 4 - STOP SIGN  
 2 - SIGNAL 5 - YIELD SIGN  
 3 - FLASHER 6 - NO CONTROL

**# of THROUGH LANES ON ROAD** 2  
**RAIL GRADE CROSSING**  
 1 - NOT INVOLVED  
 2 - INVOLVED-ACTIVE CROSSING  
 3 - INVOLVED-PASSIVE CROSSING

**UNIT / NON-MOTORIST DIRECTION**  
 FROM 2 TO 1  
 1 - NORTH 5 - NORTHEAST  
 2 - SOUTH 6 - NORTHWEST  
 3 - EAST 7 - SOUTHEAST  
 4 - WEST 8 - SOUTHWEST  
 9 - OTHER / UNKNOWN

**UNIT SPEED**  
**DETECTED SPEED**  
 1 - STATED / ESTIMATED SPEED  
 2 - CALCULATED / EDR  
 3 - UNDETERMINED

**EVENTS**

**OWNER**

UNIT # 2 OWNER NAME: LAST, FIRST, MIDDLE (  SAME AS DRIVER )  
 THOMPSON, RONALD, C

OWNER ADDRESS: STREET, CITY, STATE, ZIP (  SAME AS DRIVER )  
 2303 LAUREL LINDALE RD, NEW RICHMOND, OH, 45157

COMMERCIAL CARRIER: NAME, ADDRESS, CITY, STATE, ZIP  
 COMMERCIAL CARRIER PHONE: INCLUDE AREA CODE

**DAMAGE**

**DAMAGE SCALE**

1 - NONE  
 2 - MINOR DAMAGE  
 3 - FUNCTIONAL DAMAGE  
 4 - DISABLING DAMAGE  
 9 - UNKNOWN

2

**VEHICLE**

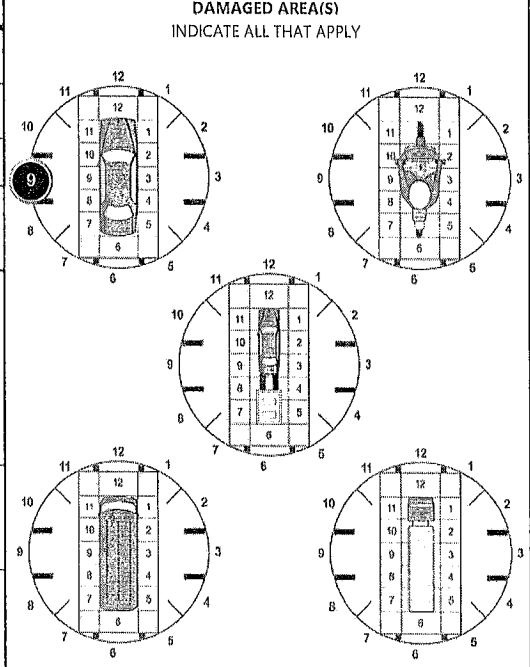
LP STATE OH LICENSE PLATE # A602507 VEHICLE IDENTIFICATION # 5GTDN18E878173967 VEHICLE YEAR 2007 VEHICLE MAKE HUMMER

INSURANCE VERIFIED INSURANCE COMPANY PROGRESSIVE INSURANCE POLICY # 932286380 COLOR RED VEHICLE MODEL H3

COMMERCIAL  GOVERNMENT  IN EMERGENCY RESPONSE TYPE OF USE

INTERLOCK DEVICE EQUIPPED  HIT/SKIP UNIT # OCCUPANTS 1 US DOT #

MATERIAL RELEASED  PLACARD HAZARDOUS MATERIAL CLASS # PLACARD ID #



UNIT TYPE 3

1 - PASSENGER CAR 2 - PASSENGER VAN (MINIVAN) 3 - SPORT UTILITY VEHICLE 4 - PICK UP 5 - CARGO VAN

6 - VAN (9-15 SEATS) 7 - MOTORCYCLE 2-WHEELED 8 - MOTORCYCLE 3-WHEELED 9 - AUTOCYCLE 10 - MOPED OR MOTORIZED BICYCLE 11 - ALL TERRAIN VEHICLE (ATV/UTV)

12 - GOLF CART 13 - SNOWMOBILE 14 - SINGLE UNIT TRUCK 15 - SEMI-TRACTOR 16 - FARM EQUIPMENT 17 - MOTORHOME

18 - LIMO (LIVERY VEHICLE) 19 - BUS (16+ PASSENGERS) 20 - OTHER VEHICLE 21 - HEAVY EQUIPMENT 22 - ANIMAL WITH RIDER OR ANIMAL-DRAWN VEHICLE

23 - PEDESTRIAN/SKATER 24 - WHEELCHAIR (ANY TYPE) 25 - OTHER NON-MOTORIST 26 - BICYCLE 27 - TRAIN 99 - UNKNOWN OR HIT/SKIP

# OF TRAILING UNITS

WAS VEHICLE OPERATING IN AUTONOMOUS MODE WHEN CRASH OCCURRED? 2

1 - YES 2 - NO 9 - OTHER / UNKNOWN

AUTONOMOUS MODE LEVEL 0

0 - NO AUTOMATION 1 - DRIVER ASSISTANCE 2 - PARTIAL AUTOMATION 3 - CONDITIONAL AUTOMATION 4 - HIGH AUTOMATION 5 - FULL AUTOMATION 9 - UNKNOWN

SPECIAL FUNCTION 1

1 - NONE 2 - TAXI 3 - ELECTRONIC RIDE SHARING 4 - SCHOOL TRANSPORT 5 - BUS - TRANSIT/COMMUTER

6 - BUS - CHARTER/TOUR 7 - BUS - INTERCITY 8 - BUS - SHUTTLE 9 - BUS - OTHER 10 - AMBULANCE

11 - FIRE 12 - MILITARY 13 - POLICE 14 - PUBLIC UTILITY 15 - CONSTRUCTION EQUIP.

16 - FARM 17 - MOWING 18 - SNOW REMOVAL 19 - TOWING 20 - SAFETY SERVICE PATROL

21 - MAIL CARRIER 99 - OTHER / UNKNOWN

CARGO BODY TYPE 1

1 - NO CARGO BODY TYPE / NOT APPLICABLE 2 - BUS 3 - VEHICLE TOWING ANOTHER MOTOR VEHICLE

4 - LOGGING 5 - INTERMODAL CONTAINER CHASSIS 6 - CARGOVAN / ENCLOSED BOX

7 - GRAIN/CHIPS/GRAVEL 8 - POLE 9 - CARGO TANK 10 - FLAT BED

11 - DUMP 12 - CONCRETE MIXER 13 - AUTO TRANSPORTER 14 - GARBAGE/REFUSE

99 - OTHER / UNKNOWN

VEHICLE DEFECTS

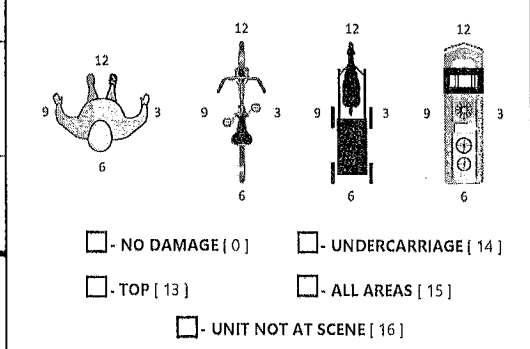
1 - TURN SIGNALS 2 - HEAD LAMPS 3 - TAIL LAMPS

4 - BRAKES 5 - STEERING 6 - TIRE BLOWOUT

7 - WORN OR SLICK TIRES 8 - TRAILER EQUIPMENT DEFECTIVE

9 - MOTOR TROUBLE 10 - DISABLED FROM PRIOR ACCIDENT

99 - OTHER / UNKNOWN



NON-MOTORIST LOCATION AT IMPACT

1 - INTERSECTION - MARKED CROSSWALK 2 - INTERSECTION - UNMARKED CROSSWALK 3 - INTERSECTION - OTHER

4 - MIDBLOCK - MARKED CROSSWALK 5 - TRAVEL LANE - OTHER LOCATION 6 - BICYCLE LANE

7 - SHOULDER/ROADSIDE 8 - SIDEWALK 9 - MEDIAN/CROSSING ISLAND

10 - DRIVEWAY ACCESS 11 - SHARED USE PATHS OR TRAILS 12 - FIRST RESPONDER AT INCIDENT SCENE

99 - OTHER / UNKNOWN

ACTION 1 PRE-CRASH ACTIONS 1

1 - NON-CONTACT 2 - NON-COLLISION 3 - STRIKING 4 - STRUCK 5 - BOTH STRIKING & STRUCK 9 - OTHER / UNKNOWN

1 - STRAIGHT AHEAD 2 - BACKING 3 - CHANGING LANES 4 - OVERTAKING/PASSING 5 - MAKING RIGHT TURN 6 - MAKING LEFT TURN 7 - MAKING U-TURN 8 - ENTERING TRAFFIC LANE

9 - LEAVING TRAFFIC LANE 10 - PARKED 11 - SLOWING OR STOPPED IN TRAFFIC 12 - DRIVERLESS 13 - NEGOTIATING A CURVE 14 - ENTERING OR CROSSING SPECIFIED LOCATION

15 - WALKING, RUNNING, JOGGING, PLAYING 16 - WORKING 17 - PUSHING VEHICLE 18 - APPROACHING OR LEAVING VEHICLE 19 - STANDING 20 - OTHER NON-MOTORIST

21 - STANDING OUTSIDE DISABLED VEHICLE 99 - OTHER / UNKNOWN

INITIAL POINT OF CONTACT 10

0 - NO DAMAGE 1-12 - REFER TO UNIT DIAGRAM 13 - TOP 14 - UNDERCARRIAGE 15 - VEHICLE NOT AT SCENE 99 - UNKNOWN

CONTRIBUTING CIRCUMSTANCES 1

1 - NONE 2 - FAILURE TO YIELD 3 - RAN RED LIGHT 4 - RAN STOP SIGN 5 - UNSAFE SPEED 6 - IMPROPER TURN 7 - LEFT OF CENTER

8 - FOLLOWING TOO CLOSE /ACDA 9 - IMPROPER LANE CHANGE 10 - IMPROPER PASSING 11 - DROVE OFF ROAD 12 - IMPROPER BACKING

13 - IMPROPER START FROM A PARKED POSITION 14 - STOPPED OR PARKED ILLEGALLY 15 - SWERVING TO AVOID 16 - WRONG WAY 17 - VISION OBSTRUCTION

18 - OPERATING DEFECTIVE EQUIPMENT 19 - LOAD SHIFTING /FALLING/SPILLING 20 - IMPROPER CROSSING 21 - LYING IN ROADWAY 22 - NOT DISCERNIBLE

23 - OPENING DOOR INTO ROADWAY 99 - OTHER IMPROPER ACTION

**TRAFFIC**

TRAFFICWAY FLOW 2

1 - ONE-WAY 2 - TWO-WAY

TRAFFIC CONTROL 6

1 - ROUNDABOUT 2 - SIGNAL 3 - FLASHER 4 - STOP SIGN 5 - YIELD SIGN 6 - NO CONTROL

SEQUENCE OF EVENTS

1 20

1 - OVERTURN/ROLLOVER 2 - FIRE/EXPLOSION 3 - IMMERSION 4 - JACKKNIFE 5 - CARGO / EQUIPMENT LOSS OR SHIFT 6 - EQUIPMENT FAILURE

7 - SEPARATION OF UNITS 8 - RAN OFF ROAD RIGHT 9 - RAN OFF ROAD LEFT 10 - CROSS MEDIUM 11 - CROSS CENTERLINE - OPPOSITE DIRECTION OF TRAVEL

12 - DOWNHILL RUNAWAY 13 - OTHER NON-COLLISION 14 - PEDESTRIAN 15 - PEDALCYCLE 16 - RAILWAY VEHICLE 17 - ANIMAL - FARM 18 - ANIMAL - DEER

19 - ANIMAL - OTHER 20 - MOTOR VEHICLE IN TRANSPORT 21 - PARKED MOTOR VEHICLE 22 - WORK ZONE MAINTENANCE EQUIPMENT 23 - STRUCK BY FALLING, SHIFTING CARGO OR ANYTHING SET IN MOTION BY A MOTOR VEHICLE 24 - OTHER MOVABLE OBJECT

# OF THROUGH LANES ON ROAD 2

RAIL GRADE CROSSING 3

1 - NOT INVOLVED 2 - INVOLVED-ACTIVE CROSSING 3 - INVOLVED-PASSIVE CROSSING

**EVENTS**

COLLISION WITH FIXED OBJECT - STRUCK

25 - IMPACT ATTENUATOR / CRASH CUSHION 26 - BRIDGE OVERHEAD STRUCTURE 27 - BRIDGE PIER OR ABUTMENT 28 - BRIDGE PARAPET 29 - BRIDGE RAIL 30 - GUARDRAIL FACE

31 - GUARDRAIL END 32 - PORTABLE BARRIER 33 - MEDIAN CABLE BARRIER 34 - MEDIAN GUARDRAIL BARRIER 35 - MEDIAN CONCRETE BARRIER 36 - MEDIAN OTHER BARRIER 37 - TRAFFIC SIGN POST

38 - OVERHEAD SIGN POST 39 - LIGHT / LUMINARIES SUPPORT 40 - UTILITY POLE 41 - OTHER POST, POLE OR SUPPORT 42 - CULVERT 43 - CURB 44 - DITCH

45 - EMBANKMENT 46 - FENCE 47 - MAILBOX 48 - TREE 49 - FIRE HYDRANT 50 - WORK ZONE MAINTENANCE EQUIPMENT 51 - WALL

52 - BUILDING 53 - TUNNEL 54 - OTHER FIXED OBJECT 99 - OTHER / UNKNOWN

FIRST HARMFUL EVENT 1 MOST HARMFUL EVENT 1

UNIT / NON-MOTORIST DIRECTION

FROM 2 TO 1

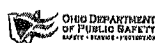
1 - NORTH 2 - SOUTH 3 - EAST 4 - WEST 5 - NORTHEAST 6 - NORTHWEST 7 - SOUTHEAST 8 - SOUTHWEST 9 - OTHER / UNKNOWN

UNIT SPEED          DETECTED SPEED         

1 - STATED / ESTIMATED SPEED

POSTED SPEED          2 - CALCULATED / EDR

3 - UNDETERMINED



# MOTORIST / Non-MOTORIST

LOCAL REPORT NUMBER

000210004081

UNIT # 1	NAME: LAST, FIRST, MIDDLE FORBES, KIRTUS, DONOVAN				DATE OF BIRTH 02/14/1992		AGE 28	GENDER M	
ADDRESS: STREET, CITY, STATE, ZIP 210 QUARRY ST, NEW RICHMOND, OH, 45157					CONTACT PHONE - INCLUDE AREA CODE [REDACTED]				
INJURIES 5	INJURED TAKEN BY 1	EMS AGENCY (NAME)	INJURED TAKEN TO: MEDICAL FACILITY (NAME, CITY)	SAFETY EQUIPMENT USED 2	<input type="checkbox"/> DOT-COMPLIANT <input checked="" type="checkbox"/> MC HELMET	SEATING POSITION 1	AIR BAG USAGE 1	EJECTION 1	TRAPPED 1
OL STATE OH	OPERATOR LICENSE NUMBER [REDACTED]		OFFENSE CHARGED	LOCAL CODE <input type="checkbox"/>	OFFENSE DESCRIPTION			CITATION NUMBER	
OL CLASS 4	ENDORSEMENT	RESTRICTION SELECT UP TO 3	DRIVER DISTRACTED BY 1	ALCOHOL / DRUG SUSPECTED <input type="checkbox"/> ALCOHOL <input type="checkbox"/> MARIJUANA <input type="checkbox"/> OTHER DRUG	CONDITION 1	ALCOHOL TEST STATUS TYPE VALUE		DRUG TEST(S) STATUS TYPE RESULTS SELECT UP TO 4	

UNIT # 2	NAME: LAST, FIRST, MIDDLE THOMPSON, RONALD, C				DATE OF BIRTH 07/14/1966		AGE 54	GENDER M	
ADDRESS: STREET, CITY, STATE, ZIP 2303 LAUREL LINDALE RD, NEW RICHMOND, OH, 45157					CONTACT PHONE - INCLUDE AREA CODE [REDACTED]				
INJURIES 5	INJURED TAKEN BY 1	EMS AGENCY (NAME)	INJURED TAKEN TO: MEDICAL FACILITY (NAME, CITY)	SAFETY EQUIPMENT USED 2	<input type="checkbox"/> DOT-COMPLIANT <input checked="" type="checkbox"/> MC HELMET	SEATING POSITION 1	AIR BAG USAGE 1	EJECTION 1	TRAPPED 1
OL STATE OH	OPERATOR LICENSE NUMBER [REDACTED]		OFFENSE CHARGED	LOCAL CODE <input type="checkbox"/>	OFFENSE DESCRIPTION			CITATION NUMBER	
OL CLASS 4	ENDORSEMENT	RESTRICTION SELECT UP TO 3 3	DRIVER DISTRACTED BY 1	ALCOHOL / DRUG SUSPECTED <input type="checkbox"/> ALCOHOL <input type="checkbox"/> MARIJUANA <input type="checkbox"/> OTHER DRUG	CONDITION 1	ALCOHOL TEST STATUS TYPE VALUE		DRUG TEST(S) STATUS TYPE RESULTS SELECT UP TO 4	

UNIT #	NAME: LAST, FIRST, MIDDLE				DATE OF BIRTH		AGE	GENDER	
ADDRESS: STREET, CITY, STATE, ZIP					CONTACT PHONE - INCLUDE AREA CODE				
INJURIES	INJURED TAKEN BY	EMS AGENCY (NAME)	INJURED TAKEN TO: MEDICAL FACILITY (NAME, CITY)	SAFETY EQUIPMENT USED	<input type="checkbox"/> DOT-COMPLIANT <input type="checkbox"/> MC HELMET	SEATING POSITION	AIR BAG USAGE	EJECTION	TRAPPED
OL STATE	OPERATOR LICENSE NUMBER		OFFENSE CHARGED	LOCAL CODE <input type="checkbox"/>	OFFENSE DESCRIPTION			CITATION NUMBER	
OL CLASS	ENDORSEMENT	RESTRICTION SELECT UP TO 3	DRIVER DISTRACTED BY	ALCOHOL / DRUG SUSPECTED <input type="checkbox"/> ALCOHOL <input type="checkbox"/> MARIJUANA <input type="checkbox"/> OTHER DRUG	CONDITION	ALCOHOL TEST STATUS TYPE VALUE		DRUG TEST(S) STATUS TYPE RESULTS SELECT UP TO 4	

INJURIES	SEATING POSITION	AIR BAG	OL CLASS	OL RESTRICTION(S)	DRIVER DISTRACTION	TEST STATUS
1 - FATAL	1 - FRONT - LEFT SIDE (MOTORCYCLE DRIVER)	1 - NOT DEPLOYED	1 - CLASS A	1 - ALCOHOL INTERLOCK DEVICE	1 - NOT DISTRACTED	1 - NONE GIVEN
2 - SUSPECTED SERIOUS INJURY	2 - FRONT - MIDDLE	2 - DEPLOYED FRONT	2 - CLASS B	2 - CDL INTRASTATE ONLY	2 - MANUALLY OPERATING AN ELECTRONIC COMMUNICATION DEVICE (TEXTING, TYPING, DJAI ING)	2 - TEST REFUSED
3 - SUSPECTED MINOR INJURY	3 - FRONT - RIGHT SIDE	3 - DEPLOYED SIDE	3 - CLASS C	3 - CORRECTIVE LENSES	3 - TALKING ON HANDS-FREE COMMUNICATION DEVICE	3 - TEST GIVEN, CONTAMINATED SAMPLE / UNUSABLE
4 - POSSIBLE INJURY	4 - SECOND - LEFT SIDE (MOTORCYCLE PASSENGER)	4 - DEPLOYED BOTH FRONT/SIDE	4 - REGULAR CLASS (OHIO = D)	4 - FARM WAIVER	4 - TALKING ON HAND-HELD COMMUNICATION DEVICE	4 - TEST GIVEN, RESULTS KNOWN
5 - NO APPARENT INJURY	5 - SECOND - MIDDLE	5 - NOT APPLICABLE	5 - M/C MOPED ONLY	5 - EXCEPT CLASS A BUS & CLASS B BUS	5 - OTHER ACTIVITY WITH AN ELECTRONIC DEVICE	5 - TEST GIVEN, RESULTS UNKNOWN
	6 - SECOND - RIGHT SIDE	9 - DEPLOYMENT UNKNOWN	6 - NO VALID OL	6 - EXCEPT CLASS A	6 - PASSENGER	
	7 - THIRD - LEFT SIDE (MOTORCYCLE SIDE CAR)			7 - EXCEPT TRACTOR-TRAILER	7 - OTHER DISTRACTION INSIDE THE VEHICLE	
	8 - THIRD - MIDDLE	<b>EJECTION</b>		8 - INTERMEDIATE LICENSE RESTRICTIONS	8 - OTHER DISTRACTION OUTSIDE THE VEHICLE	
	9 - THIRD - RIGHT SIDE	1 - NOT EJECTED	<b>OL ENDORSEMENT</b>	9 - LEARNER'S PERMIT RESTRICTIONS	9 - OTHER / UNKNOWN	<b>ALCOHOL TEST TYPE</b>
	10 - SLEEPER SECTION OF TRUCK CAB	2 - PARTIALLY EJECTED	H - HAZMAT	10 - LIMITED TO DAYLIGHT ONLY		1 - NONE
	11 - PASSENGER IN OTHER ENCLOSED CARGO AREA (NON-TRAILING UNIT, BUS, PICK-UP WITH CAP)	3 - TOTALLY EJECTED	M - MOTORCYCLE	11 - LIMITED TO EMPLOYMENT		2 - BLOOD
	12 - PASSENGER IN UNENCLOSED CARGO AREA	4 - NOT APPLICABLE	P - PASSENGER	12 - LIMITED - OTHER		3 - URINE
	13 - TRAILING UNIT	<b>TRAPPED</b>	N - TANKER	13 - MECHANICAL DEVICES (SPECIAL BRAKES, HAND CONTROLS, OR OTHER ADAPTIVE DEVICES)		4 - BREATH
	14 - RIDING ON VEHICLE EXTERIOR (NON-TRAILING UNIT)	1 - NOT TRAPPED	Q - MOTOR SCOOTER	14 - MILITARY VEHICLES ONLY		5 - OTHER
	15 - NON-MOTORIST	2 - EXTRICATED BY MECHANICAL MEANS	R - THREE-WHEEL MOTORCYCLE	15 - MOTOR VEHICLES WITHOUT AIR BRAKES		
	99 - OTHER / UNKNOWN	3 - FREED BY NON-MECHANICAL MEANS	S - SCHOOL BUS	16 - OUTSIDE MIRROR	<b>CONDITION</b>	<b>DRUG TEST TYPE</b>
			T - DOUBLE & TRIPLE TRAILERS	17 - PROSTHETIC AID	1 - APPARENTLY NORMAL	1 - NONE
			X - TANKER / HAZMAT	18 - OTHER	2 - PHYSICAL IMPAIRMENT	2 - BLOOD
					3 - EMOTIONAL (E.G., DEPRESSED, ANGRY, DISTURBED)	3 - URINE
			<b>GENDER</b>		4 - ILLNESS	4 - OTHER
			F - FEMALE		5 - FELL ASLEEP, FAINTED, FATIGUED, ETC.	1 - AMPHETAMINES
			M - MALE		6 - UNDER THE INFLUENCE OF MEDICATIONS / DRUGS / ALCOHOL	2 - BARBITURATES
			U - OTHER / UNKNOWN		9 - OTHER / UNKNOWN	3 - BENZODIAZEPINES
						4 - CANNABINOIDS
						5 - COCAINE
						6 - OPIATES / OPIOIDS
						7 - OTHER
						8 - NEGATIVE RESULTS



# OCCUPANT / WITNESS ADDENDUM

LOCAL REPORT NUMBER  
000210004081

<b>UNIT #</b> 2	<b>NAME: LAST, FIRST, MIDDLE</b> CRAMER, KELLI, LYNN	<b>DATE OF BIRTH</b> 12/04/1987	<b>AGE</b> 33	<b>GENDER</b> F
<b>ADDRESS: STREET, CITY, STATE, ZIP</b> 2873 MT. OLIVE PT ISABEL RD, BETHEL, OH, 45106		<b>CONTACT PHONE - INCLUDE AREA CODE</b> [REDACTED]		

<b>INJURIES</b> 5	<b>INJURED TAKEN BY</b> 1	<b>EMS AGENCY (NAME)</b>	<b>INJURED TAKEN TO: MEDICAL FACILITY (NAME, CITY)</b>	<b>SAFETY EQUIPMENT</b> 4	<input type="checkbox"/> DOT-COMPLIANT MC HELMET	<b>SEATING POSITION</b> 6	<b>AIR BAG USAGE</b> 1	<b>EJECTION</b> 1	<b>TRAPPED</b> 1
----------------------	------------------------------	--------------------------	--	------------------------------	--	------------------------------	---------------------------	----------------------	---------------------

<b>UNIT #</b>	<b>NAME: LAST, FIRST, MIDDLE</b>	<b>DATE OF BIRTH</b>	<b>AGE</b>	<b>GENDER</b>
<b>ADDRESS: STREET, CITY, STATE, ZIP</b>		<b>CONTACT PHONE - INCLUDE AREA CODE</b>		

<b>INJURIES</b>	<b>INJURED TAKEN BY</b>	<b>EMS AGENCY (NAME)</b>	<b>INJURED TAKEN TO: MEDICAL FACILITY (NAME, CITY)</b>	<b>SAFETY EQUIPMENT</b>	<input type="checkbox"/> DOT-COMPLIANT MC HELMET	<b>SEATING POSITION</b>	<b>AIR BAG USAGE</b>	<b>EJECTION</b>	<b>TRAPPED</b>
-----------------	-------------------------	--------------------------	--	-------------------------	--	-------------------------	----------------------	-----------------	----------------

<b>UNIT #</b>	<b>NAME: LAST, FIRST, MIDDLE</b>	<b>DATE OF BIRTH</b>	<b>AGE</b>	<b>GENDER</b>
<b>ADDRESS: STREET, CITY, STATE, ZIP</b>		<b>CONTACT PHONE - INCLUDE AREA CODE</b>		

<b>INJURIES</b>	<b>INJURED TAKEN BY</b>	<b>EMS AGENCY (NAME)</b>	<b>INJURED TAKEN TO: MEDICAL FACILITY (NAME, CITY)</b>	<b>SAFETY EQUIPMENT</b>	<input type="checkbox"/> DOT-COMPLIANT MC HELMET	<b>SEATING POSITION</b>	<b>AIR BAG USAGE</b>	<b>EJECTION</b>	<b>TRAPPED</b>
-----------------	-------------------------	--------------------------	--	-------------------------	--	-------------------------	----------------------	-----------------	----------------

<b>UNIT #</b>	<b>NAME: LAST, FIRST, MIDDLE</b>	<b>DATE OF BIRTH</b>	<b>AGE</b>	<b>GENDER</b>
<b>ADDRESS: STREET, CITY, STATE, ZIP</b>		<b>CONTACT PHONE - INCLUDE AREA CODE</b>		

<b>INJURIES</b>	<b>INJURED TAKEN BY</b>	<b>EMS AGENCY (NAME)</b>	<b>INJURED TAKEN TO: MEDICAL FACILITY (NAME, CITY)</b>	<b>SAFETY EQUIPMENT</b>	<input type="checkbox"/> DOT-COMPLIANT MC HELMET	<b>SEATING POSITION</b>	<b>AIR BAG USAGE</b>	<b>EJECTION</b>	<b>TRAPPED</b>
-----------------	-------------------------	--------------------------	--	-------------------------	--	-------------------------	----------------------	-----------------	----------------

INJURIES	SAFETY EQUIPMENT USED	SEATING POSITION	AIR BAG USAGE
1 - FATAL	1 - NONE USED - VEHICLE OCCUPANT	1 - FRONT - LEFT SIDE (MOTORCYCLE DRIVER)	1 - NOT DEPLOYED
2 - SUSPECTED SERIOUS INJURY	2 - SHOULDER BELT ONLY USED	2 - FRONT - MIDDLE	2 - DEPLOYED FRONT
3 - SUSPECTED MINOR INJURY	3 - LAP BELT ONLY USED	3 - FRONT - RIGHT SIDE	3 - DEPLOYED SIDE
4 - POSSIBLE INJURY	4 - SHOULDER & LAP BELT USED	4 - SECOND - LEFT SIDE (MOTORCYCLE PASSENGER)	4 - DEPLOYED BOTH FRONT/SIDE
5 - NO APPARENT INJURY	5 - CHILD RESTRAINT SYSTEM - FORWARD FACING	5 - SECOND - MIDDLE	5 - NOT APPLICABLE
<b>INJURED TAKEN BY</b>	6 - CHILD RESTRAINT SYSTEM - REAR FACING	6 - SECOND - RIGHT SIDE	9 - DEPLOYMENT UNKNOWN
1 - NOT TRANSPORTED / TREATED AT SCENE	7 - BOOSTER SEAT	7 - THIRD - LEFT SIDE (MOTORCYCLE SIDE CAR)	<b>EJECTION</b>
2 - EMS	8 - HELMET USED	8 - THIRD - MIDDLE	1 - NOT EJECTED
3 - POLICE	9 - PROTECTIVE PADS USED (ELBOWS, KNEES, ETC)	9 - THIRD - RIGHT SIDE	2 - PARTIALLY EJECTED
9 - OTHER / UNKNOWN	10 - REFLECTIVE CLOTHING	10 - SLEEPER SECTION OF TRUCK CAB	3 - TOTALLY EJECTED
<b>GENDER</b>	11 - LIGHTING - PEDESTRIAN / BICYCLE ONLY	11 - PASSENGER IN OTHER ENCLOSED CARGO AREA (NON-TRAILING UNIT SUCH AS A BUS, PICK-UP WITH CAP)	4 - NOT APPLICABLE
F - FEMALE	99 - OTHER / UNKNOWN	12 - PASSENGER IN UNENCLOSED CARGO AREA	<b>TRAPPED</b>
M - MALE		13 - TRAILING UNIT	1 - NOT TRAPPED
U - OTHER / UNKNOWN		14 - RIDING ON VEHICLE EXTERIOR (NON-TRAILING UNIT)	2 - EXTRICATED BY MECHANICAL MEANS
		15 - NON-MOTORIST	3 - FREED BY NON-MECHANICAL MEANS
		99 - OTHER / UNKNOWN	

<b>NAME: LAST, FIRST, MIDDLE</b>	<b>DATE OF BIRTH</b>	<b>AGE</b>	<b>GENDER</b>
<b>ADDRESS: STREET, CITY, STATE, ZIP</b>	<b>CONTACT PHONE - INCLUDE AREA CODE</b>		

<b>NAME: LAST, FIRST, MIDDLE</b>	<b>DATE OF BIRTH</b>	<b>AGE</b>	<b>GENDER</b>
<b>ADDRESS: STREET, CITY, STATE, ZIP</b>	<b>CONTACT PHONE - INCLUDE AREA CODE</b>		

<b>NAME: LAST, FIRST, MIDDLE</b>	<b>DATE OF BIRTH</b>	<b>AGE</b>	<b>GENDER</b>
<b>ADDRESS: STREET, CITY, STATE, ZIP</b>	<b>CONTACT PHONE - INCLUDE AREA CODE</b>		