

TRAFFIC CRASH REPORT

* DENOTES MANDATORY FIELD FOR SUPPLEMENT REPORT

LOCAL REPORT NUMBER *

000210003326

<input checked="" type="checkbox"/> PHOTOS TAKEN	<input type="checkbox"/> OH-2	<input type="checkbox"/> OH-3	LOCAL INFORMATION
<input type="checkbox"/> SECONDARY CRASH	<input type="checkbox"/> OH-1P	<input type="checkbox"/> OTHER	REPORTING AGENCY NAME * Clermont County Sheriff
<input type="checkbox"/> PRIVATE PROPERTY			NCIC * 01300

HIT/SKIP 1 - SOLVED 2 - UNSOLVED	NUMBER OF UNITS 1	UNIT IN ERROR 98 - ANIMAL 99 - UNKNOWN
--	----------------------	--

COUNTY* 13	LOCALITY* 3 1 - CITY 2 - VILLAGE 3 - TOWNSHIP	LOCATION: CITY, VILLAGE, TOWNSHIP* Jackson (Township of)	CRASH DATE / TIME* 01/27/2021 21:18	CRASH SEVERITY 5 1 - FATAL 2 - SERIOUS INJURY SUSPECTED 3 - MINOR INJURY SUSPECTED 4 - INJURY POSSIBLE 5 - PROPERTY DAMAGE ONLY
---------------	---	---	--	---

ROUTE TYPE SR	ROUTE NUMBER 133	PREFIX 1 - NORTH 2 - SOUTH 3 - EAST 4 - WEST	LOCATION ROAD NAME	ROAD TYPE	LATITUDE DECIMAL DEGREES 39.103228
ROUTE TYPE	ROUTE NUMBER	PREFIX 1 - NORTH 2 - SOUTH 3 - EAST 4 - WEST	REFERENCE ROAD NAME (ROAD, MILEPOST, HOUSE #) Hutchinson	ROAD TYPE RD	LONGITUDE DECIMAL DEGREES -84.042052

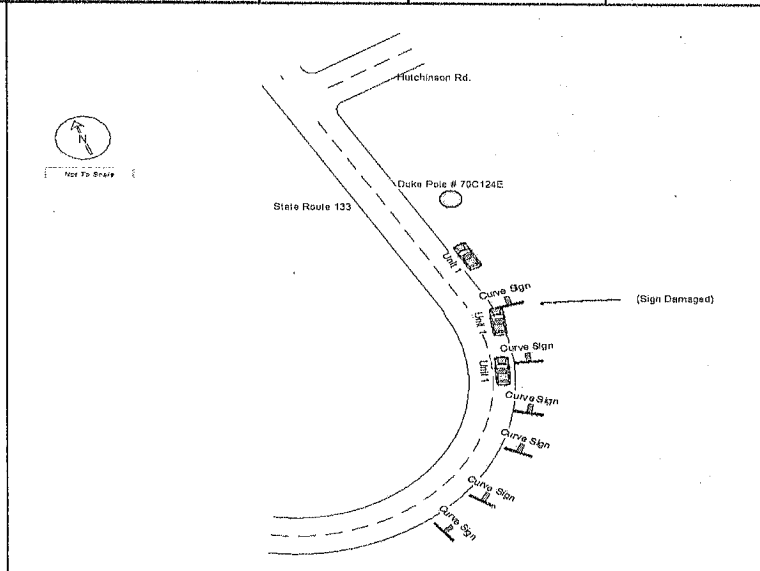
REFERENCE POINT 1 - INTERSECTION 2 - MILE POST 3 - HOUSE # 1	DIRECTION FROM REFERENCE 1 - NORTH 2 - SOUTH 3 - EAST 4 - WEST 2	ROUTE TYPE IR - INTERSTATE ROUTE (TP) US - FEDERAL US ROUTE SR - STATE ROUTE CR - NUMBERED COUNTY ROUTE TR - NUMBERED TOWNSHIP ROUTE	ROAD TYPE AL - ALLEY AV - AVENUE BL - BOULEVARD CR - CIRCLE CT - COURT DR - DRIVE HE - HEIGHTS	ROAD TYPE HW - HIGHWAY LA - LANE MP - MILEPOST OV - OVAL PK - PARKWAY PI - PIKE PL - PLACE	RD - ROAD SQ - SQUARE ST - STREET TE - TERRACE TL - TRAIL WA - WAY	INTERSECTION RELATED <input checked="" type="checkbox"/> WITHIN INTERSECTION OR ON APPROACH <input type="checkbox"/> WITHIN INTERCHANGE AREA NUMBER OF APPROACHES 4
DISTANCE FROM REFERENCE 200.00	DISTANCE UNIT OF MEASURE 1 - MILES 2 - FEET 3 - YARDS 2					ROADWAY <input type="checkbox"/> ROADWAY DIVIDED

LOCATION OF FIRST HARMFUL EVENT 1 - ON ROADWAY 2 - ON SHOULDER 3 - IN MEDIAN 4 - ON ROADSIDE 5 - ON GORE 6 - OUTSIDE TRAFFIC WAY 7 - ON RAMP 8 - OFF RAMP 1	9 - CROSSOVER 10 - DRIVEWAY/ALLEY ACCESS 11 - RAILWAY GRADE CROSSING 12 - SHARED USE PATHS OR TRAILS 13 - BIKE LANE 14 - TOLL BOOTH 99 - OTHER / UNKNOWN	MANNER OF CRASH COLLISION/IMPACT 1 - NOT COLLISION 2 - REAR-END 3 - HEAD-ON 4 - REAR-TO-REAR 5 - BACKING 6 - ANGLE 7 - SIDESWIPE, SAME DIRECTION 8 - SIDESWIPE, OPPOSITE DIRECTION 9 - OTHER / UNKNOWN 1	DIRECTION OF TRAVEL 1 - NORTH 2 - SOUTH 3 - EAST 4 - WEST	MEDIAN TYPE 1 - DIVIDED FLUSH MEDIAN (<4 FEET) 2 - DIVIDED FLUSH MEDIAN (≥4 FEET) 3 - DIVIDED, DEPRESSED MEDIAN 4 - DIVIDED, RAISED MEDIAN (ANY TYPE) 9 - OTHER / UNKNOWN
--	--	--	---	--

<input type="checkbox"/> WORK ZONE RELATED <input type="checkbox"/> WORKERS PRESENT <input type="checkbox"/> LAW ENFORCEMENT PRESENT <input type="checkbox"/> ACTIVE SCHOOL ZONE	WORK ZONE TYPE 1 - LANE CLOSURE 2 - LANE SHIFT/ CROSSOVER 3 - WORK ON SHOULDER OR MEDIAN 4 - INTERMITTENT OR MOVING WORK 5 - OTHER	LOCATION OF CRASH IN WORK ZONE 1 - BEFORE THE 1ST WORK ZONE WARNING SIGN 2 - ADVANCE WARNING AREA 3 - TRANSITION AREA 4 - ACTIVITY AREA 5 - TERMINATION AREA	CONTOUR 3 1 - STRAIGHT LEVEL 2 - STRAIGHT GRADE 3 - CURVE LEVEL 4 - CURVE GRADE 9 - OTHER / UNKNOWN	CONDITIONS 3 1 - DRY 2 - WET 3 - SNOW 4 - ICE 5 - SAND, MUD, DIRT, OIL, GRAVEL 6 - WATER (STANDING, MOVING) 7 - SLUSH 9 - OTHER / UNKNOWN	SURFACE 2 1 - CONCRETE 2 - BLACKTOP, BITUMINOUS, ASPHALT 3 - BRICK/BLOCK 4 - SLAG, GRAVEL, STONE 5 - DIRT 9 - OTHER / UNKNOWN
---	---	---	---	--	--

LIGHT CONDITION 4 1 - DAYLIGHT 2 - DAWN/DUSK 3 - DARK - LIGHTED ROADWAY 4 - DARK - ROADWAY NOT LIGHTED 5 - DARK - UNKNOWN ROADWAY LIGHTING 9 - OTHER / UNKNOWN	WEATHER 6 1 - CLEAR 2 - CLOUDY 3 - FOG, SMOG, SMOKE 4 - RAIN 5 - SLEET, HAIL 6 - SNOW 7 - SEVERE CROSSWINDS 8 - BLOWING SAND, SOIL, DIRT, SNOW 9 - FREEZING RAIN OR FREEZING DRIZZLE 99 - OTHER / UNKNOWN
---	--

NARRATIVE
Unit No. 1 was traveling north on State Route 133, and had almost finished navigating around a curve to the left when she slid off the right side of the roadway damaging a roadway sign and ended up stuck in the ditch. There were snowy conditions with the roads being completely covered. The vehicle sustained damage to the entire windshield and will be unable to be driven at this time. The registered owner requested the rotation tow service to respond.



CRASH REPORTED DATE / TIME 01/27/2021 21:18	DISPATCH DATE / TIME 01/27/2021 21:18	ARRIVAL DATE / TIME 01/27/2021 21:18	SCENE CLEARED DATE / TIME 01/27/2021 22:19	REPORT TAKEN BY <input checked="" type="checkbox"/> POLICE AGENCY <input type="checkbox"/> MOTORIST
TOTAL TIME ROADWAY CLOSED 0	OTHER INVESTIGATION TIME 0	TOTAL MINUTES 61	OFFICER'S NAME* Dep. Brian Dutlinger	CHECKED BY OFFICER'S NAME* Rudd, Jeffrey
			OFFICER'S BADGE NUMBER* R12135	CHECKED BY OFFICER'S BADGE NUMBER* R3052
<input checked="" type="checkbox"/> SUPPLEMENT (CORRECTION OR ADDITION TO AN EXISTING REPORT SENT TO ODPS)				

OWNER

UNIT # 1 OWNER NAME: LAST, FIRST, MIDDLE (☐ SAME AS DRIVER) MECHLIN, BRADLEY, W
 OWNER ADDRESS: STREET, CITY, STATE, ZIP (☐ SAME AS DRIVER) 21558 STATE ROUTE 251, LYNCHBURG, OH, 45142
 COMMERCIAL CARRIER: NAME, ADDRESS, CITY, STATE, ZIP
 OWNER PHONE: INCLUDE AREA CODE (☐ SAME AS DRIVER)
 COMMERCIAL CARRIER PHONE: INCLUDE AREA CODE

DAMAGE

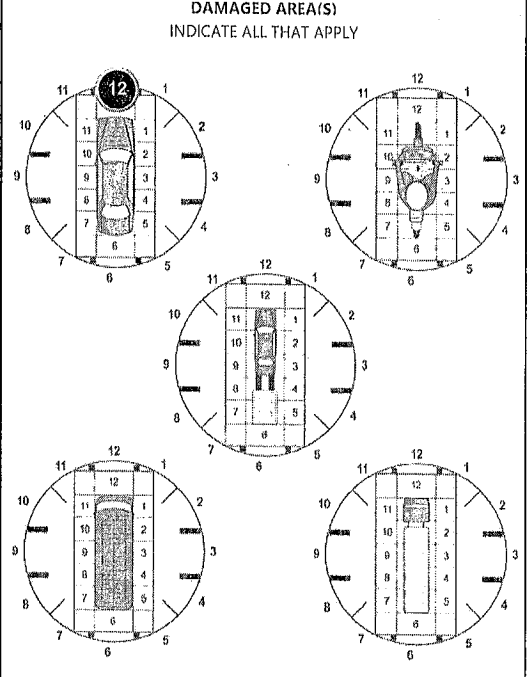
DAMAGE SCALE

1 - NONE 3 - FUNCTIONAL DAMAGE
 2 - MINOR DAMAGE 4 - DISABLING DAMAGE
 9 - UNKNOWN

4

VEHICLE

LP STATE OH LICENSE PLATE # GPL5436 VEHICLE IDENTIFICATION # 2FMDK4KCOABB73362 VEHICLE YEAR 2010 VEHICLE MAKE FORD
 INSURANCE VERIFIED INSURANCE COMPANY ALLSTATE INSURANCE POLICY # 980441989 COLOR BLK VEHICLE MODEL EDGE
 TYPE OF USE COMMERCIAL GOVERNMENT IN EMERGENCY RESPONSE US DOT #
 INTERLOCK DEVICE EQUIPPED HIT/SKIP UNIT # OCCUPANTS VEHICLE WEIGHT GVWR/GCWR 1 - ≤ 10K LBS. 2 - 10,001 - 26K LBS. 3 - > 26K LBS.
 TOWED BY: COMPANY NAME BOB MYERS TOWING HAZARDOUS MATERIAL CLASS # PLACARD ID #



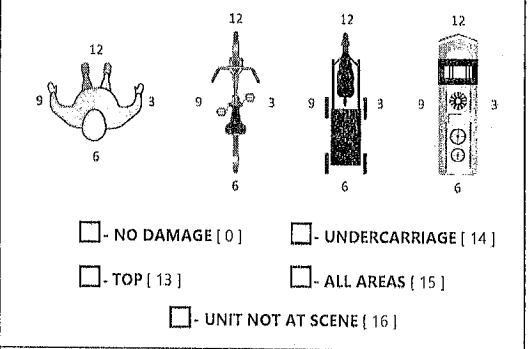
UNIT TYPE 3
 1 - PASSENGER CAR 6 - VAN (9-15 SEATS) 12 - GOLF CART 18 - LIMO (LIVERY VEHICLE) 23 - PEDESTRIAN/SKATER
 2 - PASSENGER VAN (MINIVAN) 7 - MOTORCYCLE 2-WHEELED 13 - SNOWMOBILE 19 - BUS (16+ PASSENGERS) 24 - WHEELCHAIR (ANY TYPE)
 3 - SPORT UTILITY VEHICLE 8 - MOTORCYCLE 3-WHEELED 14 - SINGLE UNIT TRUCK 20 - OTHER VEHICLE 25 - OTHER NON-MOTORIST
 4 - PICK UP 9 - AUTOCYCLE 15 - SEMI-TRACTOR 21 - HEAVY EQUIPMENT 26 - BICYCLE
 5 - CARGO VAN 10 - MOPED OR MOTORIZED BICYCLE 16 - FARM EQUIPMENT 22 - ANIMAL WITH RIDER OR ANIMAL-DRAWN VEHICLE 27 - TRAIN
 # OF TRAILING UNITS 0 11 - ALL TERRAIN VEHICLE (ATV/UTV) 17 - MOTORHOME 99 - UNKNOWN OR HIT/SKIP

WAS VEHICLE OPERATING IN AUTONOMOUS MODE WHEN CRASH OCCURRED? 2
 0 - NO AUTOMATION 3 - CONDITIONAL AUTOMATION 9 - UNKNOWN
 1 - DRIVER ASSISTANCE 4 - HIGH AUTOMATION
 1 - YES 2 - NO 9 - OTHER / UNKNOWN AUTONOMOUS MODE LEVEL 2 - PARTIAL AUTOMATION 5 - FULL AUTOMATION

SPECIAL FUNCTION 1
 1 - NONE 6 - BUS - CHARTER/TOUR 11 - FIRE 16 - FARM 21 - MAIL CARRIER
 2 - TAXI 7 - BUS - INTERCITY 12 - MILITARY 17 - MOWING 99 - OTHER / UNKNOWN
 3 - ELECTRONIC RIDE SHARING 8 - BUS - SHUTTLE 13 - POLICE 18 - SNOW REMOVAL
 4 - SCHOOL TRANSPORT 9 - BUS - OTHER 14 - PUBLIC UTILITY 19 - TOWING
 5 - BUS - TRANSIT/COMMUTER 10 - AMBULANCE 15 - CONSTRUCTION EQUIP. 20 - SAFETY SERVICE PATROL

CARGO BODY TYPE 1
 1 - NO CARGO BODY TYPE / NOT APPLICABLE 4 - LOGGING 7 - GRAIN/CHIPS/GRAVEL 11 - DUMP 99 - OTHER / UNKNOWN
 2 - BUS 5 - INTERMODAL CONTAINER CHASSIS 8 - POLE 12 - CONCRETE MIXER
 3 - VEHICLE TOWING ANOTHER MOTOR VEHICLE 6 - CARGOVAN /ENCLOSED BOX 9 - CARGO TANK 13 - AUTO TRANSPORTER
 10 - FLAT BED 14 - GARBAGE/REFUSE

VEHICLE DEFECTS
 1 - TURN SIGNALS 4 - BRAKES 7 - WORN OR SLICK TIRES 9 - MOTOR TROUBLE 99 - OTHER / UNKNOWN
 2 - HEAD LAMPS 5 - STEERING 8 - TRAILER EQUIPMENT DEFECTIVE 10 - DISABLED FROM PRIOR ACCIDENT
 3 - TAIL LAMPS 6 - TIRE BLOWOUT



NON-MOTORIST LOCATION
 1 - INTERSECTION - MARKED CROSSWALK 4 - MIDBLOCK - MARKED CROSSWALK 7 - SHOULDER/ROADSIDE 10 - DRIVEWAY ACCESS 99 - OTHER / UNKNOWN
 2 - INTERSECTION - UNMARKED CROSSWALK 5 - TRAVEL LANE - OTHER LOCATION 8 - SIDEWALK 11 - SHARED USE PATHS OR TRAILS
 3 - INTERSECTION - OTHER 6 - BICYCLE LANE 9 - MEDIAN/CROSSING ISLAND 12 - FIRST RESPONDER AT INCIDENT SCENE

ACTION 2
 1 - NON-CONTACT 1 - STRAIGHT AHEAD 9 - LEAVING TRAFFIC LANE 15 - WALKING, RUNNING, JOGGING, PLAYING 21 - STANDING OUTSIDE DISABLED VEHICLE
 2 - NON-COLLISION 2 - BACKING 10 - PARKED 16 - WORKING 99 - OTHER / UNKNOWN
 3 - STRIKING 3 - CHANGING LANES 11 - SLOWING OR STOPPED IN TRAFFIC 17 - PUSHING VEHICLE 18 - APPROACHING OR LEAVING VEHICLE
 4 - STRUCK PRE-CRASH ACTIONS 4 - OVERTAKING/PASSING 5 - MAKING RIGHT TURN 6 - MAKING LEFT TURN 7 - MAKING U-TURN 8 - ENTERING TRAFFIC LANE
 5 - BOTH STRIKING & STRUCK 6 - MAKING LEFT TURN 7 - MAKING U-TURN 8 - ENTERING TRAFFIC LANE
 9 - OTHER / UNKNOWN

INITIAL POINT OF CONTACT
 0 - NO DAMAGE 14 - UNDERCARRIAGE
 1-12 - REFER TO UNIT DIAGRAM 15 - VEHICLE NOT AT SCENE
 99 - UNKNOWN
 12 - TOP

CONTRIBUTING CIRCUMSTANCES 11
 1 - NONE 8 - FOLLOWING TOO CLOSE /ACDA 13 - IMPROPER START FROM A PARKED POSITION 18 - OPERATING DEFECTIVE EQUIPMENT 23 - OPENING DOOR INTO ROADWAY
 2 - FAILURE TO YIELD 9 - IMPROPER LANE CHANGE 14 - STOPPED OR PARKED ILLEGALLY 19 - LOAD SHIFTING /FALLING/SPILLING 99 - OTHER IMPROPER ACTION
 3 - RAN RED LIGHT 10 - IMPROPER PASSING 15 - SWERVING TO AVOID 20 - IMPROPER CROSSING 21 - LYING IN ROADWAY
 4 - RAN STOP SIGN 11 - DROVE OFF ROAD 16 - WRONG WAY 22 - NOT DISCERNIBLE
 5 - UNSAFE SPEED 12 - IMPROPER BACKING 17 - VISION OBSTRUCTION

TRAFFIC

TRAFFICWAY FLOW 2
 1 - ONE-WAY
 2 - TWO-WAY

TRAFFIC CONTROL 6
 1 - ROUNDABOUT 4 - STOP SIGN
 2 - SIGNAL 5 - YIELD SIGN
 3 - FLASHER 6 - NO CONTROL

SEQUENCE OF EVENTS
 1 8
 1 - OVERTURN/ROLLOVER 7 - SEPARATION OF UNITS 12 - DOWNHILL RUNAWAY 19 - ANIMAL - OTHER 23 - STRUCK BY FALLING, SHIFTING CARGO OR ANYTHING SET IN MOTION BY A MOTOR VEHICLE
 2 - FIRE/EXPLOSION 8 - RAN OFF ROAD RIGHT 13 - OTHER NON-COLLISION 20 - MOTOR VEHICLE IN PARKED 24 - OTHER MOVABLE OBJECT
 3 - IMMERSION 9 - RAN OFF ROAD LEFT 14 - PEDESTRIAN 21 - PARKED MOTOR VEHICLE
 4 - JACKKNIFE 10 - CROSS MEDIAN 15 - PEDALCYCLE
 5 - CARGO /EQUIPMENT LOSS OR SHIFT 11 - CROSS CENTERLINE - OPPOSITE DIRECTION OF TRAVEL 16 - RAILWAY VEHICLE 17 - ANIMAL - FARM 22 - WORK ZONE MAINTENANCE EQUIPMENT
 6 - EQUIPMENT FAILURE 12 - IMPROPER BACKING 18 - ANIMAL - DEER

OF THROUGH LANES ON ROAD 2
 RAIL GRADE CROSSING 1
 1 - NOT INVOLVED
 2 - INVOLVED-ACTIVE CROSSING
 3 - INVOLVED-PASSIVE CROSSING

EVENTS

COLLISION WITH FIXED OBJECT - STRUCK
 25 - IMPACT ATTENUATOR / CRASH CUSHION 31 - GUARDRAIL END 38 - OVERHEAD SIGN POST 45 - EMBANKMENT 52 - BUILDING
 26 - BRIDGE OVERHEAD STRUCTURE 32 - PORTABLE BARRIER 39 - LIGHT / LUMINARIES SUPPORT 46 - FENCE 53 - TUNNEL
 27 - BRIDGE PIER OR ABUTMENT 33 - MEDIUM CABLE BARRIER 40 - UTILITY POLE 47 - MAILBOX 54 - OTHER FIXED OBJECT
 28 - BRIDGE PARAPET 34 - MEDIUM GUARDRAIL BARRIER 41 - OTHER POST, POLE OR SUPPORT 48 - TREE 99 - OTHER / UNKNOWN
 29 - BRIDGE RAIL 35 - MEDIUM CONCRETE BARRIER 42 - CULVERT 49 - FIRE HYDRANT 50 - WORK ZONE MAINTENANCE EQUIPMENT
 30 - GUARDRAIL FACE 36 - MEDIUM OTHER BARRIER 43 - CURB 51 - WALL
 37 - TRAFFIC SIGN POST 44 - DITCH

FIRST HARMFUL EVENT 1 MOST HARMFUL EVENT 1

UNIT / NON-MOTORIST DIRECTION
 FROM 2 TO 1
 1 - NORTH 5 - NORTHEAST
 2 - SOUTH 6 - NORTHWEST
 3 - EAST 7 - SOUTHEAST
 4 - WEST 8 - SOUTHWEST
 9 - OTHER / UNKNOWN

UNIT SPEED 10
 POSTED SPEED 35
 DETECTED SPEED
 1 - STATED / ESTIMATED SPEED
 2 - CALCULATED / EDR
 3 - UNDETERMINED

MOTORIST / NON-MOTORIST

LOCAL REPORT NUMBER

000210003326

UNIT # 1	NAME: LAST, FIRST, MIDDLE MECHLIN, TAYLOR, NICHOLE				DATE OF BIRTH 03/10/2003		AGE 17	GENDER F		
ADDRESS: STREET, CITY, STATE, ZIP 21558 STATE ROUTE 251, LYNCHBURG, OH, 45142				CONTACT PHONE - INCLUDE AREA CODE [REDACTED]						
INJURIES 5	INJURED TAKEN BY 1	EMS AGENCY (NAME)	INJURED TAKEN TO: MEDICAL FACILITY (NAME, CITY)		SAFETY EQUIPMENT USED 4	<input type="checkbox"/> DOT-COMPLIANT MC HELMET	SEATING POSITION 1	AIR BAG USAGE 1	EJECTION 1	TRAPPED 1
OL STATE OH	OPERATOR LICENSE NUMBER		OFFENSE CHARGED		LOCAL CODE	OFFENSE DESCRIPTION			CITATION NUMBER	
OL CLASS 4	ENDORSEMENT	RESTRICTION SELECT UP TO 3	DRIVER DISTRACTED BY 1	ALCOHOL / DRUG SUSPECTED <input type="checkbox"/> ALCOHOL <input type="checkbox"/> MARIJUANA <input type="checkbox"/> OTHER DRUG		CONDITION 1	ALCOHOL TEST STATUS TYPE VALUE		DRUG TEST(S) STATUS TYPE RESULTS SELECT UP TO 4	

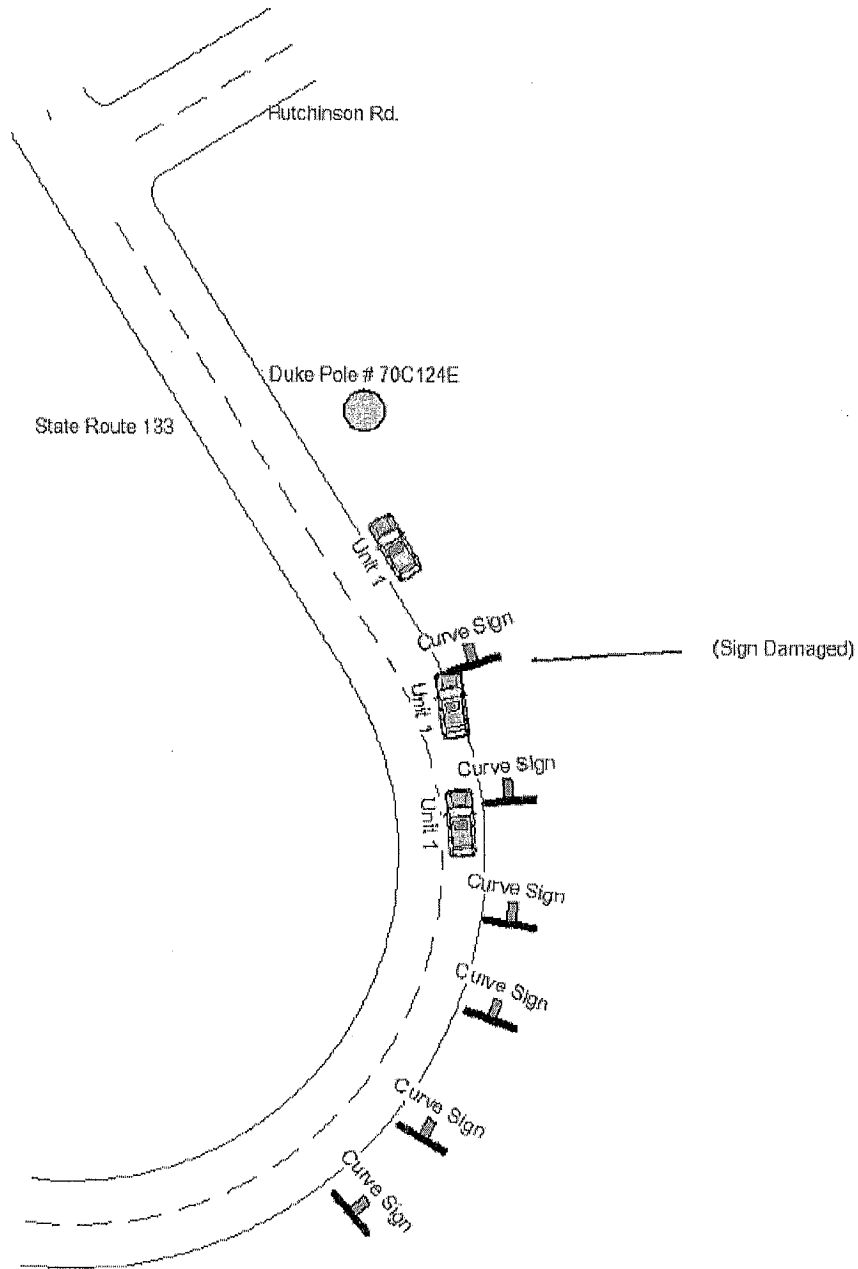
UNIT #	NAME: LAST, FIRST, MIDDLE				DATE OF BIRTH		AGE	GENDER		
ADDRESS: STREET, CITY, STATE, ZIP				CONTACT PHONE - INCLUDE AREA CODE						
INJURIES	INJURED TAKEN BY	EMS AGENCY (NAME)	INJURED TAKEN TO: MEDICAL FACILITY (NAME, CITY)		SAFETY EQUIPMENT USED	<input type="checkbox"/> DOT-COMPLIANT MC HELMET	SEATING POSITION	AIR BAG USAGE	EJECTION	TRAPPED
OL STATE	OPERATOR LICENSE NUMBER		OFFENSE CHARGED		LOCAL CODE	OFFENSE DESCRIPTION			CITATION NUMBER	
OL CLASS	ENDORSEMENT	RESTRICTION SELECT UP TO 3	DRIVER DISTRACTED BY	ALCOHOL / DRUG SUSPECTED <input type="checkbox"/> ALCOHOL <input type="checkbox"/> MARIJUANA <input type="checkbox"/> OTHER DRUG		CONDITION	ALCOHOL TEST STATUS TYPE VALUE		DRUG TEST(S) STATUS TYPE RESULTS SELECT UP TO 4	

UNIT #	NAME: LAST, FIRST, MIDDLE				DATE OF BIRTH		AGE	GENDER		
ADDRESS: STREET, CITY, STATE, ZIP				CONTACT PHONE - INCLUDE AREA CODE						
INJURIES	INJURED TAKEN BY	EMS AGENCY (NAME)	INJURED TAKEN TO: MEDICAL FACILITY (NAME, CITY)		SAFETY EQUIPMENT USED	<input type="checkbox"/> DOT-COMPLIANT MC HELMET	SEATING POSITION	AIR BAG USAGE	EJECTION	TRAPPED
OL STATE	OPERATOR LICENSE NUMBER		OFFENSE CHARGED		LOCAL CODE	OFFENSE DESCRIPTION			CITATION NUMBER	
OL CLASS	ENDORSEMENT	RESTRICTION SELECT UP TO 3	DRIVER DISTRACTED BY	ALCOHOL / DRUG SUSPECTED <input type="checkbox"/> ALCOHOL <input type="checkbox"/> MARIJUANA <input type="checkbox"/> OTHER DRUG		CONDITION	ALCOHOL TEST STATUS TYPE VALUE		DRUG TEST(S) STATUS TYPE RESULTS SELECT UP TO 4	

INJURIES	SEATING POSITION	AIR BAG	OL CLASS	OL RESTRICTION(S)	DRIVER DISTRACTION	TEST STATUS
1 - FATAL 2 - SUSPECTED SERIOUS INJURY 3 - SUSPECTED MINOR INJURY 4 - POSSIBLE INJURY 5 - NO APPARENT INJURY	1 - FRONT - LEFT SIDE (MOTORCYCLE DRIVER) 2 - FRONT - MIDDLE 3 - FRONT - RIGHT SIDE 4 - SECOND - LEFT SIDE (MOTORCYCLE PASSENGER) 5 - SECOND - MIDDLE 6 - SECOND - RIGHT SIDE 7 - THIRD - LEFT SIDE (MOTORCYCLE SIDE CAR) 8 - THIRD - MIDDLE 9 - THIRD - RIGHT SIDE 10 - SLEEPER SECTION OF TRUCK CAB 11 - PASSENGER IN OTHER ENCLOSED CARGO AREA (NON-TRAILING UNIT, BUS, PICK-UP WITH CAP) 12 - PASSENGER IN UNENCLOSED CARGO AREA 13 - TRAILING UNIT 14 - RIDING ON VEHICLE EXTERIOR (NON-TRAILING UNIT) 15 - NON-MOTORIST 99 - OTHER / UNKNOWN	1 - NOT DEPLOYED 2 - DEPLOYED FRONT 3 - DEPLOYED SIDE 4 - DEPLOYED BOTH FRONT/SIDE 5 - NOT APPLICABLE 9 - DEPLOYMENT UNKNOWN	1 - CLASS A 2 - CLASS B 3 - CLASS C 4 - REGULAR CLASS (OHIO = D) 5 - M/C MOPED ONLY 6 - NO VALID OL	1 - ALCOHOL INTERLOCK DEVICE 2 - CDL INTRASTATE ONLY 3 - CORRECTIVE LENSES 4 - FARM WAIVER 5 - EXCEPT CLASS A BUS & CLASS B BUS 6 - EXCEPT CLASS A 7 - EXCEPT TRACTOR-TRAILER 8 - INTERMEDIATE LICENSE RESTRICTIONS 9 - LEARNER'S PERMIT RESTRICTIONS 10 - LIMITED TO DAYLIGHT ONLY 11 - LIMITED TO EMPLOYMENT 12 - LIMITED - OTHER 13 - MECHANICAL DEVICES (SPECIAL BRAKES, HAND CONTROLS, OR OTHER ADAPTIVE DEVICES) 14 - MILITARY VEHICLES ONLY 15 - MOTOR VEHICLES WITHOUT AIR BRAKES 16 - OUTSIDE MIRROR 17 - PROSTHETIC AID 18 - OTHER	1 - NOT DISTRACTED 2 - MANUALLY OPERATING AN ELECTRONIC COMMUNICATION DEVICE (TEXTING, TYPING, DIALING) 3 - TALKING ON HANDS-FREE COMMUNICATION DEVICE 4 - TALKING ON HAND-HELD COMMUNICATION DEVICE 5 - OTHER ACTIVITY WITH AN ELECTRONIC DEVICE 6 - PASSENGER 7 - OTHER DISTRACTION INSIDE THE VEHICLE 8 - OTHER DISTRACTION OUTSIDE THE VEHICLE 9 - OTHER / UNKNOWN	1 - NONE GIVEN 2 - TEST REFUSED 3 - TEST GIVEN, CONTAMINATED SAMPLE / UNUSABLE 4 - TEST GIVEN, RESULTS KNOWN 5 - TEST GIVEN, RESULTS UNKNOWN
INJURIES TAKEN BY 1 - NOT TRANSPORTED /TREATED AT SCENE 2 - EMS 3 - POLICE 9 - OTHER / UNKNOWN	EJECTION 1 - NOT EJECTED 2 - PARTIALLY EJECTED 3 - TOTALLY EJECTED 4 - NOT APPLICABLE	TRAPPED 1 - NOT TRAPPED 2 - EXTRICATED BY MECHANICAL MEANS 3 - FREED BY NON-MECHANICAL MEANS	OL ENDORSEMENT H - HAZMAT M - MOTORCYCLE P - PASSENGER N - TANKER Q - MOTOR SCOOTER R - THREE-WHEEL MOTORCYCLE S - SCHOOL BUS T - DOUBLE & TRIPLE TRAILERS X - TANKER / HAZMAT	CONDITION 1 - APPARENTLY NORMAL 2 - PHYSICAL IMPAIRMENT 3 - EMOTIONAL (E.G., DEPRESSED, ANGRY, DISTURBED) 4 - ILLNESS 5 - FELL ASLEEP, FAINTED, FATIGUED, ETC. 6 - UNDER THE INFLUENCE OF MEDICATIONS / DRUGS / ALCOHOL 9 - OTHER / UNKNOWN	ALCOHOL TEST TYPE 1 - NONE 2 - BLOOD 3 - URINE 4 - BREATH 5 - OTHER	DRUG TEST TYPE 1 - NONE 2 - BLOOD 3 - URINE 4 - OTHER
SAFETY EQUIPMENT 1 - NONE USED 2 - SHOULDER BELT ONLY USED 3 - LAP BELT ONLY USED 4 - SHOULDER & LAP BELT USED 5 - CHILD RESTRAINT SYSTEM - FORWARD FACING 6 - CHILD RESTRAINT SYSTEM - REAR FACING 7 - BOOSTER SEAT 8 - HELMET USED 9 - PROTECTIVE PADS USED (ELBOWS, KNEES, ETC) 10 - REFLECTIVE CLOTHING 11 - LIGHTING - PEDESTRIAN / BICYCLE ONLY 99 - OTHER / UNKNOWN			GENDER F - FEMALE M - MALE U - OTHER / UNKNOWN			DRUG TEST RESULT(S) 1 - AMPHETAMINES 2 - BARBITURATES 3 - BENZODIAZEPINES 4 - CANNABINOIDS 5 - COCAINE 6 - OPIATES / OPIOIDS 7 - OTHER 8 - NEGATIVE RESULTS

OHIO TRAFFIC ACCIDENT - OH2 DIAGRAM

LOCAL REPORT NUMBER 000210003326	REPORTING AGENCY Clermont County Sheriff	Date Of Crash 01/27/2021
IN COUNTY OF Clermont County	ACCIDENT LOCATION 133	



Not To Scale

OFFICERS SIGNATURE	BADGE NO. R12135
--------------------	----------------------------