

# TRAFFIC CRASH REPORT

\*DENOTES MANDATORY FIELD FOR SUPPLEMENT REPORT

LOCAL REPORT NUMBER \*

000210007911

<input checked="" type="checkbox"/> PHOTOS TAKEN <input type="checkbox"/> SECONDARY CRASH		<input checked="" type="checkbox"/> OH-2 <input type="checkbox"/> OH-3 <input checked="" type="checkbox"/> OH-1P <input type="checkbox"/> OTHER <input type="checkbox"/> PRIVATE PROPERTY		LOCAL INFORMATION REPORTING AGENCY NAME * Clermont County Sheriff		NCIC * 01300		HIT/SKIP 1 - SOLVED 2 - UNSOLVED		NUMBER OF UNITS 2		UNIT IN ERROR 1 - ANIMAL 99 - UNKNOWN	
COUNTY* 13		LOCALITY* 1 - CITY 2 - VILLAGE 3 - TOWNSHIP 3		LOCATION: CITY, VILLAGE, TOWNSHIP* Stonelick (Township of)		CRASH DATE / TIME* 03/06/2021 20:38		CRASH SEVERITY 1 - FATAL 2 - SERIOUS INJURY SUSPECTED 3 - MINOR INJURY SUSPECTED 4 - INJURY POSSIBLE 5 - PROPERTY DAMAGE ONLY 5					
ROUTE TYPE SR		ROUTE NUMBER 131		PREFIX 1 - NORTH 2 - SOUTH 3 - EAST 4 - WEST		LOCATION ROAD NAME		ROAD TYPE		LATITUDE DECIMAL DEGREES 39.172864		LONGITUDE DECIMAL DEGREES -84.161282	
ROUTE TYPE SR		ROUTE NUMBER 131		PREFIX 1 - NORTH 2 - SOUTH 3 - EAST 4 - WEST		REFERENCE ROAD NAME (ROAD, MILEPOST, HOUSE #) 2011		ROAD TYPE		LONGITUDE DECIMAL DEGREES -84.161282		LONGITUDE DECIMAL DEGREES -84.161282	

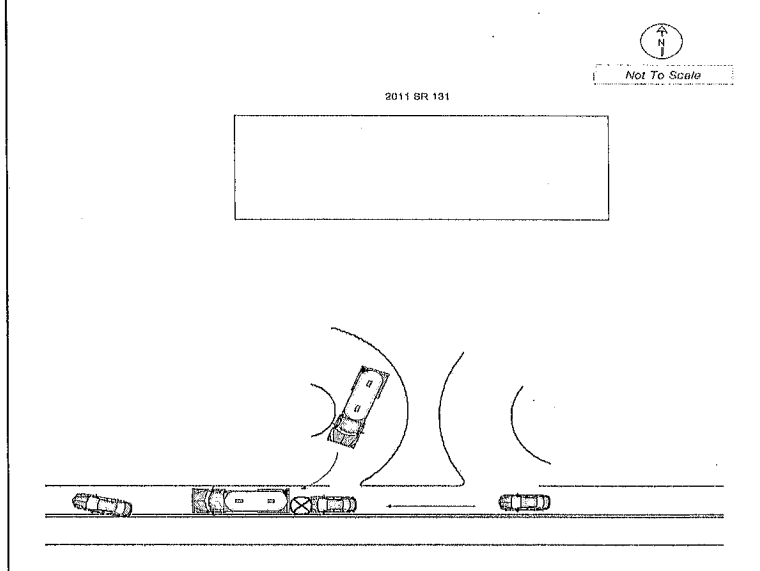
REFERENCE POINT 1 - INTERSECTION 2 - MILE POST 3 - HOUSE # 3		DIRECTION FROM REFERENCE 1 - NORTH 2 - SOUTH 3 - EAST 4 - WEST 4		ROUTE TYPE IR - INTERSTATE ROUTE (TP) US - FEDERAL US ROUTE SR - STATE ROUTE CR - NUMBERED COUNTY ROUTE TR - NUMBERED TOWNSHIP ROUTE		ROAD TYPE AL - ALLEY AV - AVENUE BL - BOULEVARD CR - CIRCLE CT - COURT DR - DRIVE HE - HEIGHTS HW - HIGHWAY LA - LANE MP - MILEPOST OV - OVAL PK - PARKWAY PI - PIKE PL - PLACE RD - ROAD SQ - SQUARE ST - STREET TE - TERRACE TL - TRAIL WA - WAY		INTERSECTION RELATED <input type="checkbox"/> WITHIN INTERSECTION OR ON APPROACH <input type="checkbox"/> WITHIN INTERCHANGE AREA NUMBER OF APPROACHES	
DISTANCE FROM REFERENCE 0.00		DISTANCE UNIT OF MEASURE 1 - MILES 2 - FEET 3 - YARDS 2		ROADWAY <input type="checkbox"/> ROADWAY DIVIDED		ROADWAY <input type="checkbox"/> ROADWAY DIVIDED		ROADWAY <input type="checkbox"/> ROADWAY DIVIDED	

LOCATION OF FIRST HARMFUL EVENT 1 - ON ROADWAY 2 - ON SHOULDER 3 - IN MEDIAN 4 - ON ROADSIDE 5 - ON GORE 6 - OUTSIDE TRAFFIC WAY 7 - ON RAMP 8 - OFF RAMP 1		MANNER OF CRASH COLLISION/IMPACT 1 - NOT COLLISION BETWEEN TWO MOTOR VEHICLES IN TRANSPORT 2 - REAR-END 3 - HEAD-ON 4 - REAR-TO-REAR 5 - BACKING 6 - ANGLE 7 - SIDESWIPE, SAME DIRECTION 8 - SIDESWIPE, OPPOSITE DIRECTION 9 - OTHER / UNKNOWN 2		DIRECTION OF TRAVEL 1 - NORTH 2 - SOUTH 3 - EAST 4 - WEST		MEDIAN TYPE 1 - DIVIDED FLUSH MEDIAN (<4 FEET) 2 - DIVIDED FLUSH MEDIAN (≥4 FEET) 3 - DIVIDED, DEPRESSED MEDIAN 4 - DIVIDED, RAISED MEDIAN (ANY TYPE) 9 - OTHER / UNKNOWN	
--	--	---	--	---	--	--	--

<input type="checkbox"/> WORK ZONE RELATED <input type="checkbox"/> WORKERS PRESENT <input type="checkbox"/> LAW ENFORCEMENT PRESENT <input type="checkbox"/> ACTIVE SCHOOL ZONE		WORK ZONE TYPE 1 - LANE CLOSURE 2 - LANE SHIFT/ CROSSOVER 3 - WORK ON SHOULDER OR MEDIAN 4 - INTERMITTENT OR MOVING WORK 5 - OTHER		LOCATION OF CRASH IN WORK ZONE 1 - BEFORE THE 1ST WORK ZONE WARNING SIGN 2 - ADVANCE WARNING AREA 3 - TRANSITION AREA 4 - ACTIVITY AREA 5 - TERMINATION AREA		CONTOUR 1 - STRAIGHT LEVEL 2 - STRAIGHT GRADE 3 - CURVE LEVEL 4 - CURVE GRADE 9 - OTHER /UNKNOWN 2		CONDITIONS 1 - DRY 2 - WET 3 - SNOW 4 - ICE 5 - SAND, MUD, DIRT, OIL, GRAVEL 6 - WATER (STANDING, MOVING) 7 - SLUSH 9 - OTHER / UNKNOWN 1		SURFACE 1 - CONCRETE 2 - BLACKTOP, BITUMINOUS, ASPHALT 3 - BRICK/BLOCK 4 - SLAG, GRAVEL, STONE 5 - DIRT 9 - OTHER / UNKNOWN 2	
---	--	---	--	---	--	--	--	--	--	--	--

LIGHT CONDITION 1 - DAYLIGHT 2 - DAWN/DUSK 3 - DARK - LIGHTED ROADWAY 4 - DARK - ROADWAY NOT LIGHTED 5 - DARK - UNKNOWN ROADWAY LIGHTING 9 - OTHER / UNKNOWN 4		WEATHER 1 - CLEAR 2 - CLOUDY 3 - FOG, SMOG, SMOKE 4 - RAIN 5 - SLEET, HAIL 6 - SNOW 7 - SEVERE CROSSWINDS 8 - BLOWING SAND, SOIL, DIRT, SNOW 9 - FREEZING RAIN OR FREEZING DRIZZLE 99 - OTHER / UNKNOWN 1	
---	--	--	--

NARRATIVE  
 Unit 1 pulled out in front of Unit 2, causing Unit 2 to strike Unit 1. Unit 1 left the scene prior to the Sheriff's Office arrival without exchanging information.



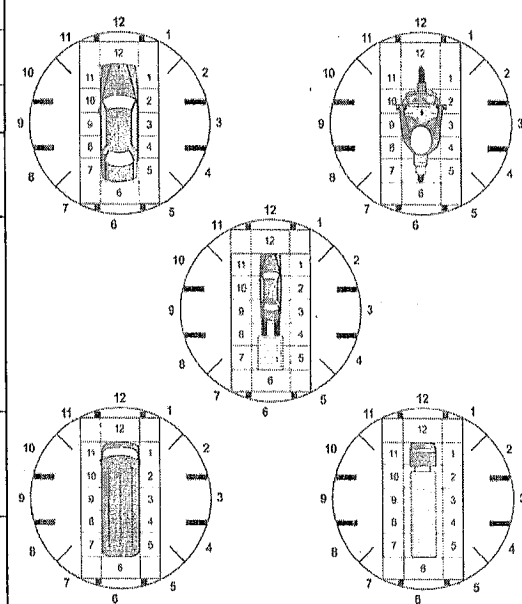
CRASH REPORTED DATE / TIME 03/06/2021 20:38		DISPATCH DATE / TIME 03/06/2021 20:38		ARRIVAL DATE / TIME 03/06/2021 20:38		SCENE CLEARED DATE / TIME 03/06/2021 21:22		REPORT TAKEN BY <input checked="" type="checkbox"/> POLICE AGENCY <input type="checkbox"/> MOTORIST	
TOTAL TIME ROADWAY CLOSED OTHER INVESTIGATION TIME		TOTAL MINUTES 44		OFFICER'S NAME* Deputy Wallace		CHECKED BY OFFICER'S NAME* Rudd, Jeffrey		<input checked="" type="checkbox"/> SUPPLEMENT (CORRECTION OR ADDITION TO AN EXISTING REPORT SENT TO ODPSS)	
				OFFICER'S BADGE NUMBER* 12423		CHECKED BY OFFICER'S BADGE NUMBER* R3052			

OWNER UNIT # 1, OWNER NAME, OWNER PHONE, OWNER ADDRESS, COMMERCIAL CARRIER, COMMERCIAL CARRIER PHONE

DAMAGE DAMAGE SCALE 9, 1 - NONE, 2 - MINOR DAMAGE, 3 - FUNCTIONAL DAMAGE, 4 - DISABLING DAMAGE, 9 - UNKNOWN

LP STATE, LICENSE PLATE #, VEHICLE IDENTIFICATION #, VEHICLE YEAR, VEHICLE MAKE, INSURANCE VERIFIED, INSURANCE COMPANY, INSURANCE POLICY #, COLOR, VEHICLE MODEL

DAMAGED AREA(S) INDICATE ALL THAT APPLY

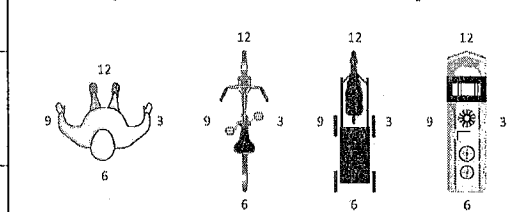


TYPE OF USE, US DOT #, TOWED BY: COMPANY NAME, VEHICLE WEIGHT GVWR/GCWR, HAZARDOUS MATERIAL

UNIT TYPE 99, 1 - PASSENGER CAR, 2 - PASSENGER VAN (MINIVAN), 3 - SPORT UTILITY VEHICLE, 4 - PICK UP, 5 - CARGO VAN, 6 - VAN (9-15 SEATS), 7 - MOTORCYCLE 2-WHEELED, 8 - MOTORCYCLE 3-WHEELED, 9 - AUTOCYCLE, 10 - MOPED OR MOTORIZED BICYCLE, 11 - ALL TERRAIN VEHICLE (ATV/UTV), 12 - GOLF CART, 13 - SNOWMOBILE, 14 - SINGLE UNIT TRUCK, 15 - SEMI-TRACTOR, 16 - FARM EQUIPMENT, 17 - MOTORHOME, 18 - LIMO (LIVERY VEHICLE), 19 - BUS (16+ PASSENGERS), 20 - OTHER VEHICLE, 21 - HEAVY EQUIPMENT, 22 - ANIMAL WITH RIDER OR ANIMAL-DRAWN VEHICLE, 23 - PEDESTRIAN/SKATER, 24 - WHEELCHAIR (ANY TYPE), 25 - OTHER NON-MOTORIST BICYCLE, 26 - BICYCLE, 27 - TRAIN, 99 - UNKNOWN OR HIT/SKIP

WAS VEHICLE OPERATING IN AUTONOMOUS MODE WHEN CRASH OCCURRED?, AUTONOMOUS MODE LEVEL, SPECIAL FUNCTION

CARGO BODY TYPE, 1 - NO CARGO BODY TYPE / NOT APPLICABLE, 2 - BUS, 3 - VEHICLE TOWING ANOTHER MOTOR VEHICLE, 4 - LOGGING, 5 - INTERMODAL CONTAINER CHASSIS, 6 - CARGOVAN /ENCLOSED BOX, 7 - GRAIN/CHIPS/GRAVEL, 8 - POLE, 9 - CARGO TANK, 10 - FLAT BED, 11 - DUMP, 12 - CONCRETE MIXER, 13 - AUTO TRANSPORTER, 14 - GARBAGE/REFUSE, 15 - MAIL CARRIER, 99 - OTHER / UNKNOWN



VEHICLE DEFECTS, 1 - TURN SIGNALS, 2 - HEAD LAMPS, 3 - TAIL LAMPS, 4 - BRAKES, 5 - STEERING, 6 - TIRE BLOWOUT, 7 - WORN OR SLICK TIRES, 8 - TRAILER EQUIPMENT DEFECTIVE, 9 - MOTOR TROUBLE, 10 - DISABLED FROM PRIOR ACCIDENT, 99 - OTHER / UNKNOWN

NO DAMAGE [0], UNDERCARRIAGE [14], TOP [13], ALL AREAS [15], UNIT NOT AT SCENE [16]

NON-MOTORIST LOCATION, 1 - INTERSECTION - MARKED CROSSWALK, 2 - INTERSECTION - UNMARKED CROSSWALK, 3 - INTERSECTION - OTHER, 4 - MIDDLEBLOCK - MARKED CROSSWALK, 5 - TRAVEL LANE - OTHER LOCATION, 6 - BICYCLE LANE, 7 - SHOULDER/ROADSIDE, 8 - SIDEWALK, 9 - MEDIAN/CROSSING ISLAND, 10 - DRIVEWAY ACCESS, 11 - SHARED USE PATHS OR TRAILS, 12 - FIRST RESPONDER AT INCIDENT SCENE, 99 - OTHER / UNKNOWN

ACTION 4, PRE-CRASH ACTIONS 8, 1 - NON-CONTACT, 2 - NON-COLLISION, 3 - STRIKING, 4 - STRUCK, 5 - BOTH STRIKING & STRUCK, 9 - OTHER / UNKNOWN, 1 - STRAIGHT AHEAD, 2 - BACKING, 3 - CHANGING LANES, 4 - OVERTAKING/PASSING, 5 - MAKING RIGHT TURN, 6 - MAKING LEFT TURN, 7 - MAKING U-TURN, 8 - ENTERING TRAFFIC LANE, 9 - LEAVING TRAFFIC LANE, 10 - PARKED, 11 - SLOWING OR STOPPED IN TRAFFIC, 12 - DRIVERLESS, 13 - NEGOTIATING A CURVE, 14 - ENTERING OR CROSSING SPECIFIED LOCATION, 15 - WALKING, RUNNING, JOGGING, PLAYING, 16 - WORKING, 17 - PUSHING VEHICLE, 18 - APPROACHING OR LEAVING VEHICLE, 19 - STANDING, 20 - OTHER NON-MOTORIST, 21 - STANDING OUTSIDE DISABLED VEHICLE, 99 - OTHER / UNKNOWN

INITIAL POINT OF CONTACT 15, 0 - NO DAMAGE, 1 - 12 - REFER TO UNIT DIAGRAM, 13 - TOP, 14 - UNDERCARRIAGE, 15 - VEHICLE NOT AT SCENE, 99 - UNKNOWN

CONTRIBUTING CIRCUMSTANCES 99, 1 - NONE, 2 - FAILURE TO YIELD, 3 - RAN RED LIGHT, 4 - RAN STOP SIGN, 5 - UNSAFE SPEED, 6 - IMPROPER TURN, 7 - LEFT OF CENTER, 8 - FOLLOWING TOO CLOSE /ACDA, 9 - IMPROPER LANE CHANGE, 10 - IMPROPER PASSING, 11 - DROVE OFF ROAD, 12 - IMPROPER BACKING, 13 - IMPROPER START FROM A PARKED POSITION, 14 - STOPPED OR PARKED ILLEGALLY, 15 - SWERVING TO AVOID, 16 - WRONG WAY, 17 - VISION OBSTRUCTION, 18 - OPERATING DEFECTIVE EQUIPMENT, 19 - LOAD SHIFTING /FALLING/SPILLING, 20 - IMPROPER CROSSING, 21 - LYING IN ROADWAY, 22 - NOT DISCERNIBLE, 23 - OPENING DOOR INTO ROADWAY, 99 - OTHER IMPROPER ACTION

TRAFFICWAY FLOW 2, TRAFFIC CONTROL 6, # OF THROUGH LANES ON ROAD 2, RAIL GRADE CROSSING 1

SEQUENCE OF EVENTS 1, 99, 1 - OVERTURN/ROLLOVER, 2 - FIRE/EXPLOSION, 3 - IMMERSION, 4 - JACKKNIFE, 5 - CARGO /EQUIPMENT LOSS OR SHIFT, 6 - EQUIPMENT FAILURE, 7 - SEPARATION OF UNITS, 8 - RAN OFF ROAD RIGHT, 9 - RAN OFF ROAD LEFT, 10 - CROSS MEDIAN, 11 - CROSS CENTERLINE - OPPOSITE DIRECTION OF TRAVEL, 12 - DOWNHILL RUNAWAY, 13 - OTHER NON-COLLISION, 14 - PEDESTRIAN, 15 - PEDALCYCLE, 16 - RAILWAY VEHICLE, 17 - ANIMAL - FARM, 18 - ANIMAL - DEER, 19 - ANIMAL - OTHER, 20 - MOTOR VEHICLE IN TRANSPORT, 21 - PARKED MOTOR VEHICLE, 22 - WORK ZONE MAINTENANCE EQUIPMENT, 23 - STRUCK BY FALLING, SHIFTING CARGO OR ANYTHING SET IN MOTION BY A MOTOR VEHICLE, 24 - OTHER MOVABLE OBJECT

UNIT / NON-MOTORIST DIRECTION FROM 1 TO 8, 1 - NORTH, 2 - SOUTH, 3 - EAST, 4 - WEST, 5 - NORTHEAST, 6 - NORTHWEST, 7 - SOUTHEAST, 8 - SOUTHWEST, 9 - OTHER / UNKNOWN

COLLISION WITH FIXED OBJECT - STRUCK, 25 - IMPACT ATTENUATOR / CRASH CUSHION, 26 - BRIDGE OVERHEAD STRUCTURE, 27 - BRIDGE PIER OR ABUTMENT, 28 - BRIDGE PARAPET, 29 - BRIDGE RAIL, 30 - GUARDRAIL FACE, 31 - GUARDRAIL END, 32 - PORTABLE BARRIER, 33 - MEDIAN CABLE BARRIER, 34 - MEDIAN GUARDRAIL BARRIER, 35 - MEDIAN CONCRETE BARRIER, 36 - MEDIAN OTHER BARRIER, 37 - TRAFFIC SIGN POST, 38 - OVERHEAD SIGN POST, 39 - LIGHT / LUMINARIES SUPPORT, 40 - UTILITY POLE, 41 - OTHER POST, POLE OR SUPPORT, 42 - CULVERT, 43 - CURB, 44 - DITCH, 45 - EMBANKMENT, 46 - FENCE, 47 - MAILBOX, 48 - TREE, 49 - FIRE HYDRANT, 50 - WORK ZONE MAINTENANCE EQUIPMENT, 51 - WALL, 52 - BUILDING, 53 - TUNNEL, 54 - OTHER FIXED OBJECT, 99 - OTHER / UNKNOWN

UNIT SPEED, POSTED SPEED, DETECTED SPEED, 1 - STATED / ESTIMATED SPEED, 2 - CALCULATED / EDR, 3 - UNDETERMINED

EVENTS (6)

OWNER

VEHICLE







# OCCUPANT / WITNESS ADDENDUM

LOCAL REPORT NUMBER

000210007911

UNIT #		NAME: LAST, FIRST, MIDDLE			DATE OF BIRTH		AGE	GENDER	
ADDRESS: STREET, CITY, STATE, ZIP					CONTACT PHONE - INCLUDE AREA CODE				
INJURIES	INJURED TAKEN BY	EMS AGENCY (NAME)	INJURED TAKEN TO: MEDICAL FACILITY (NAME, CITY)	SAFETY EQUIPMENT	<input type="checkbox"/> DOT-COMPLIANT MC HELMET	SEATING POSITION	AIR BAG USAGE	EJECTION	TRAPPED
UNIT #		NAME: LAST, FIRST, MIDDLE			DATE OF BIRTH		AGE	GENDER	
ADDRESS: STREET, CITY, STATE, ZIP					CONTACT PHONE - INCLUDE AREA CODE				
INJURIES	INJURED TAKEN BY	EMS AGENCY (NAME)	INJURED TAKEN TO: MEDICAL FACILITY (NAME, CITY)	SAFETY EQUIPMENT	<input type="checkbox"/> DOT-COMPLIANT MC HELMET	SEATING POSITION	AIR BAG USAGE	EJECTION	TRAPPED
UNIT #		NAME: LAST, FIRST, MIDDLE			DATE OF BIRTH		AGE	GENDER	
ADDRESS: STREET, CITY, STATE, ZIP					CONTACT PHONE - INCLUDE AREA CODE				
INJURIES	INJURED TAKEN BY	EMS AGENCY (NAME)	INJURED TAKEN TO: MEDICAL FACILITY (NAME, CITY)	SAFETY EQUIPMENT	<input type="checkbox"/> DOT-COMPLIANT MC HELMET	SEATING POSITION	AIR BAG USAGE	EJECTION	TRAPPED
UNIT #		NAME: LAST, FIRST, MIDDLE			DATE OF BIRTH		AGE	GENDER	
ADDRESS: STREET, CITY, STATE, ZIP					CONTACT PHONE - INCLUDE AREA CODE				
INJURIES	INJURED TAKEN BY	EMS AGENCY (NAME)	INJURED TAKEN TO: MEDICAL FACILITY (NAME, CITY)	SAFETY EQUIPMENT	<input type="checkbox"/> DOT-COMPLIANT MC HELMET	SEATING POSITION	AIR BAG USAGE	EJECTION	TRAPPED

INJURIES	SAFETY EQUIPMENT USED	SEATING POSITION	AIR BAG USAGE
1 - FATAL	1 - NONE USED - VEHICLE OCCUPANT	1 - FRONT - LEFT SIDE (MOTORCYCLE DRIVER)	1 - NOT DEPLOYED
2 - SUSPECTED SERIOUS INJURY	2 - SHOULDER BELT ONLY USED	2 - FRONT - MIDDLE	2 - DEPLOYED FRONT
3 - SUSPECTED MINOR INJURY	3 - LAP BELT ONLY USED	3 - FRONT - RIGHT SIDE	3 - DEPLOYED SIDE
4 - POSSIBLE INJURY	4 - SHOULDER & LAP BELT USED	4 - SECOND - LEFT SIDE (MOTORCYCLE PASSENGER)	4 - DEPLOYED BOTH FRONT/SIDE
5 - NO APPARENT INJURY	5 - CHILD RESTRAINT SYSTEM - FORWARD FACING	5 - SECOND - MIDDLE	5 - NOT APPLICABLE
	6 - CHILD RESTRAINT SYSTEM - REAR FACING	6 - SECOND - RIGHT SIDE	9 - DEPLOYMENT UNKNOWN
	7 - BOOSTER SEAT	7 - THIRD - LEFT SIDE (MOTORCYCLE SIDE CAR)	
	8 - HELMET USED	8 - THIRD - MIDDLE	
	9 - PROTECTIVE PADS USED (ELBOWS, KNEES, ETC)	9 - THIRD - RIGHT SIDE	
	10 - REFLECTIVE CLOTHING	10 - SLEEPER SECTION OF TRUCK CAB	
	11 - LIGHTING - PEDESTRIAN / BICYCLE ONLY	11 - PASSENGER IN OTHER ENCLOSED CARGO AREA (NON-TRAILING UNIT SUCH AS A BUS, PICK-UP WITH CAP)	
	99 - OTHER / UNKNOWN	12 - PASSENGER IN UNENCLOSED CARGO AREA	
		13 - TRAILING UNIT	
		14 - RIDING ON VEHICLE EXTERIOR (NON-TRAILING UNIT)	
		15 - NON-MOTORIST	
		99 - OTHER / UNKNOWN	

NAME: LAST, FIRST, MIDDLE		DATE OF BIRTH		AGE	GENDER	
ADDRESS: STREET, CITY, STATE, ZIP					CONTACT PHONE - INCLUDE AREA CODE	
NAME: LAST, FIRST, MIDDLE		DATE OF BIRTH		AGE	GENDER	
ADDRESS: STREET, CITY, STATE, ZIP					CONTACT PHONE - INCLUDE AREA CODE	
NAME: LAST, FIRST, MIDDLE		DATE OF BIRTH		AGE	GENDER	
ADDRESS: STREET, CITY, STATE, ZIP					CONTACT PHONE - INCLUDE AREA CODE	

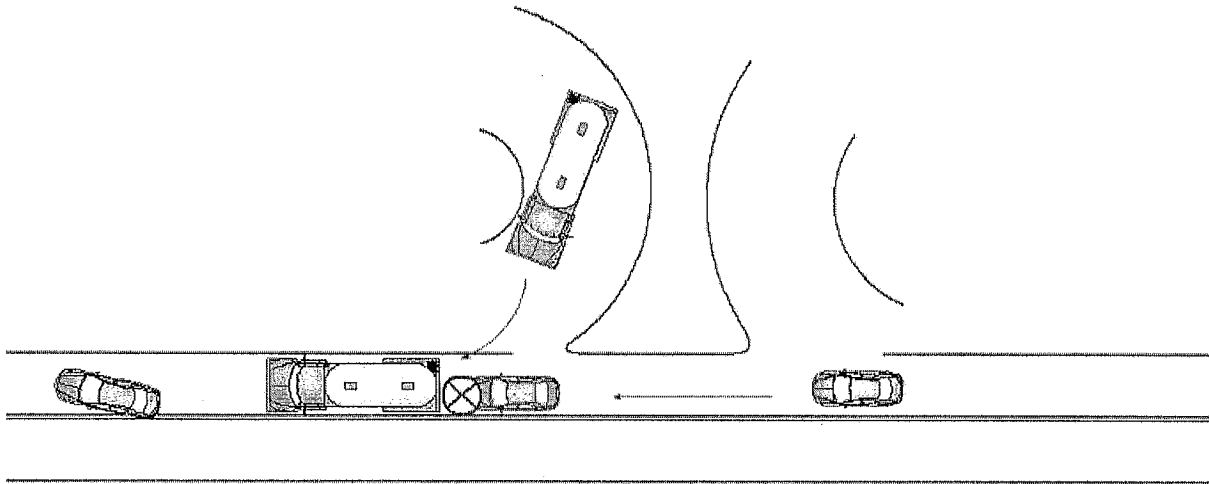
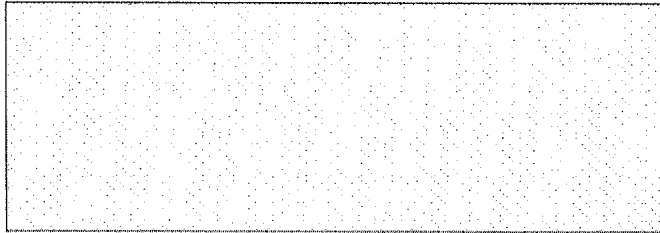
OHIO TRAFFIC ACCIDENT - OH2 DIAGRAM

LOCAL REPORT NUMBER <b>000210007911</b>	REPORTING AGENCY <b>Clermont County Sheriff</b>	Date Of Crash <b>03/06/2021</b>
IN COUNTY OF <b>Clermont County</b>	ACCIDENT LOCATION <b>131</b>	



Not To Scale

2011 SR 131



OFFICERS SIGNATURE

BADGE NO.

**12423**