

# TRAFFIC CRASH REPORT

\*DENOTES MANDATORY FIELD FOR SUPPLEMENT REPORT

LOCAL REPORT NUMBER \*

002100024229

<input checked="" type="checkbox"/> PHOTOS TAKEN <input type="checkbox"/> SECONDARY CRASH <input type="checkbox"/> PRIVATE PROPERTY		<input checked="" type="checkbox"/> OH-2 <input type="checkbox"/> OH-1P <input type="checkbox"/> OTHER		LOCAL INFORMATION REPORTING AGENCY NAME * Clermont County Sheriff		NCIC * 01300		HIT/SKIP 1 - SOLVED 2 - UNSOLVED		NUMBER OF UNITS 1		UNIT IN ERROR 98 - ANIMAL 99 - UNKNOWN	
---	--	--	--	---	--	-----------------	--	--	--	----------------------	--	--	--

COUNTY* 13	LOCALITY* 3 - TOWNSHIP	LOCATION: CITY, VILLAGE, TOWNSHIP* Batavia	CRASH DATE / TIME* 07/13/2021 10:45	CRASH SEVERITY 5 - FATAL
---------------	---------------------------	---	--	-----------------------------

ROUTE TYPE SR	ROUTE NUMBER 132	PREFIX 3 - EAST	LOCATION ROAD NAME	ROAD TYPE	LATITUDE DECIMAL DEGREES 39.100322
------------------	---------------------	--------------------	--------------------	-----------	---------------------------------------

ROUTE TYPE	ROUTE NUMBER	PREFIX 3 - EAST	REFERENCE ROAD NAME (ROAD, MILEPOST, HOUSE #) Benton	ROAD TYPE RD	LONGITUDE DECIMAL DEGREES -84.154424
------------	--------------	--------------------	---	-----------------	---

REFERENCE POINT 1 - INTERSECTION 2 - MILE POST 3 - HOUSE #	DIRECTION FROM REFERENCE 1 - NORTH 2 - SOUTH 3 - EAST 4 - WEST	ROUTE TYPE IR - INTERSTATE ROUTE (TP) US - FEDERAL US ROUTE SR - STATE ROUTE CR - NUMBERED COUNTY ROUTE TR - NUMBERED TOWNSHIP ROUTE	ROAD TYPE AL - ALLEY AV - AVENUE BL - BOULEVARD CR - CIRCLE CT - COURT DR - DRIVE HE - HEIGHTS	ROAD TYPE HW - HIGHWAY LA - LANE MP - MILEPOST OV - OVAL PK - PARKWAY PI - PIKE PL - PLACE	RD - ROAD SQ - SQUARE ST - STREET TE - TERRACE TL - TRAIL WA - WAY	INTERSECTION RELATED <input checked="" type="checkbox"/> WITHIN INTERSECTION OR ON APPROACH <input type="checkbox"/> WITHIN INTERCHANGE AREA	NUMBER OF APPROACHES 2
---	--	---	---	---	---	--	---------------------------

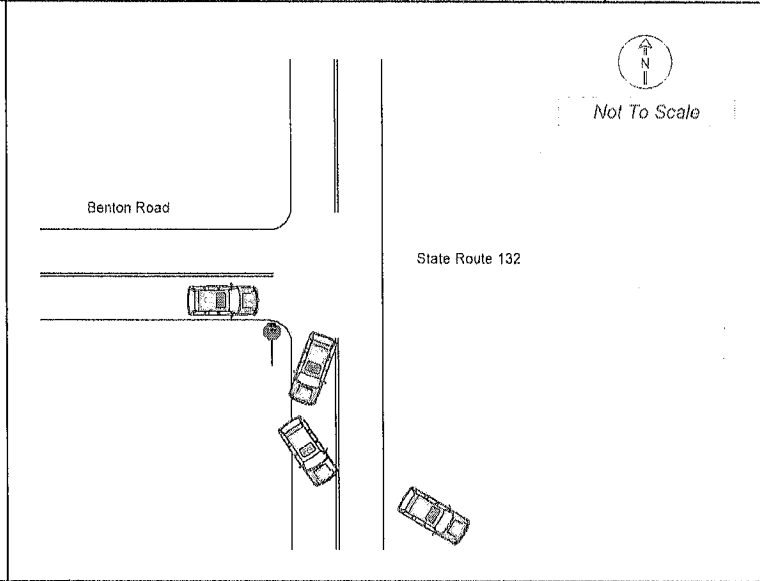
DISTANCE FROM REFERENCE	DISTANCE UNIT OF MEASURE 1 - MILES 2 - FEET 3 - YARDS	ROADWAY <input type="checkbox"/> ROADWAY DIVIDED
-------------------------	--	---

LOCATION OF FIRST HARMFUL EVENT 1 - ON ROADWAY 2 - ON SHOULDER 3 - IN MEDIAN 4 - ON ROADSIDE 5 - ON GORE 6 - OUTSIDE TRAFFIC WAY 7 - ON RAMP 8 - OFF RAMP	MANNER OF CRASH COLLISION/IMPACT 1 - NOT COLLISION BETWEEN TWO MOTOR VEHICLES IN TRANSPORT 2 - REAR-END 3 - HEAD-ON 4 - REAR-TO-REAR 5 - BACKING 6 - ANGLE 7 - SIDESWIPE, SAME DIRECTION 8 - SIDESWIPE, OPPOSITE DIRECTION 9 - OTHER / UNKNOWN	DIRECTION OF TRAVEL 1 - NORTH 2 - SOUTH 3 - EAST 4 - WEST	MEDIAN TYPE 1 - DIVIDED FLUSH MEDIAN (<4 FEET) 2 - DIVIDED FLUSH MEDIAN (≥4 FEET) 3 - DIVIDED, DEPRESSED MEDIAN 4 - DIVIDED, RAISED MEDIAN (ANY TYPE) 9 - OTHER / UNKNOWN
---	---	---	--

WORK ZONE RELATED WORKERS PRESENT LAW ENFORCEMENT PRESENT ACTIVE SCHOOL ZONE	WORK ZONE TYPE 1 - LANE CLOSURE 2 - LANE SHIFT/ CROSSOVER 3 - WORK ON SHOULDER OR MEDIAN 4 - INTERMITTENT OR MOVING WORK 5 - OTHER	LOCATION OF CRASH IN WORK ZONE 1 - BEFORE THE 1ST WORK ZONE WARNING SIGN 2 - ADVANCE WARNING AREA 3 - TRANSITION AREA 4 - ACTIVITY AREA 5 - TERMINATION AREA	CONTOUR 1 - STRAIGHT LEVEL 2 - STRAIGHT GRADE 3 - CURVE LEVEL 4 - CURVE GRADE 9 - OTHER /UNKNOWN	CONDITIONS 1 - DRY 2 - WET 3 - SNOW 4 - ICE 5 - SAND, MUD, DIRT, OIL, GRAVEL 6 - WATER (STANDING, MOVING) 7 - SLUSH 9 - OTHER / UNKNOWN	SURFACE 1 - CONCRETE 2 - BLACKTOP, BITUMINOUS, ASPHALT 3 - BRICK/BLOCK 4 - SLAG, GRAVEL, STONE 5 - DIRT 9 - OTHER / UNKNOWN
---	---	---	---	---	---

LIGHT CONDITION 1 - DAYLIGHT 2 - DAWN/DUSK 3 - DARK - LIGHTED ROADWAY 4 - DARK - ROADWAY NOT LIGHTED 5 - DARK - UNKNOWN ROADWAY LIGHTING 9 - OTHER / UNKNOWN	WEATHER 1 - CLEAR 2 - CLOUDY 3 - FOG, SMOG, SMOKE 4 - RAIN 5 - SLEET, HAIL 6 - SNOW 7 - SEVERE CROSSWINDS 8 - BLOWING SAND, SOIL, DIRT, SNOW 9 - FREEZING RAIN OR FREEZING DRIZZLE 99 - OTHER / UNKNOWN
--	---

NARRATIVE  
Unit #1 was making a right hand turn onto SR 132 when unit #1 lost control and went into the ditch. Causing minor damage to unit #1. Driver of unit #1 was issued a citation for failure to maintain reasonable control and the vehicle was towed by L. Wood and Sons.



CRASH REPORTED DATE / TIME 07/13/2021 10:45	DISPATCH DATE / TIME 07/13/2021 10:49	ARRIVAL DATE / TIME 07/13/2021 11:05	SCENE CLEARED DATE / TIME 07/13/2021 11:54	REPORT TAKEN BY <input checked="" type="checkbox"/> POLICE AGENCY <input type="checkbox"/> MOTORIST
--	--	---	---	---

TOTAL TIME ROADWAY CLOSED	OTHER INVESTIGATION TIME	TOTAL MINUTES 65	OFFICER'S NAME* Rudd, Jeffrey	CHECKED BY OFFICER'S NAME* Scott, D
			OFFICER'S BADGE NUMBER* R3052	CHECKED BY OFFICER'S BADGE NUMBER* R2367

SUPPLEMENT  
(CORRECTION OR ADDITION TO AN EXISTING REPORT SENT TO ODP)

**OWNER**

UNIT # 1 OWNER NAME: LAST, FIRST, MIDDLE (  SAME AS DRIVER )  
**PENNY, VERNA, L.**

OWNER ADDRESS: STREET, CITY, STATE, ZIP (  SAME AS DRIVER )  
**1108 COUNTRY LAKE CIRCLE, GOSHEN, OH, 45122**

COMMERCIAL CARRIER: NAME, ADDRESS, CITY, STATE, ZIP  
 COMMERCIAL CARRIER PHONE: INCLUDE AREA CODE

**VEHICLE**

LP STATE OH LICENSE PLATE # GWL8628 VEHICLE IDENTIFICATION # 1FMZU74E32UC17379 VEHICLE YEAR 2002 VEHICLE MAKE FORD

INSURANCE VERIFIED  INSURANCE COMPANY \_\_\_\_\_ INSURANCE POLICY # \_\_\_\_\_ COLOR BLU VEHICLE MODEL EXPLORER

TYPE OF USE:  COMMERCIAL  GOVERNMENT  IN EMERGENCY RESPONSE

US DOT # \_\_\_\_\_ TOWED BY: COMPANY NAME L. WOOD AND SONS

HAZARDOUS MATERIAL:  MATERIAL  RELEASED  PLACARD CLASS # \_\_\_\_\_ PLACARD ID # \_\_\_\_\_

VEHICLE WEIGHT GVWR/GCWR:  1 - ≤ 10K LBS.  2 - 10,001 - 26K LBS.  3 - > 26K LBS.

UNITS: 3 1 - PASSENGER CAR 6 - VAN (9-15 SEATS) 12 - GOLF CART 18 - LIMO (LIVERY VEHICLE) 23 - PEDESTRIAN/SKATER  
 2 - PASSENGER VAN (MINIVAN) 7 - MOTORCYCLE 2-WHEELED 13 - SNOWMOBILE 19 - BUS (16+ PASSENGERS) 24 - WHEELCHAIR (ANY TYPE)  
 3 - SPORT UTILITY VEHICLE 8 - MOTORCYCLE 3-WHEELED 14 - SINGLE UNIT TRUCK 20 - OTHER VEHICLE 25 - OTHER NON-MOTORIST  
 4 - PICK UP 9 - AUTOCYCLE 15 - SEMI-TRACTOR 21 - HEAVY EQUIPMENT 26 - BICYCLE  
 5 - CARGO VAN 10 - MOPED OR MOTORIZED BICYCLE 16 - FARM EQUIPMENT 22 - ANIMAL WITH RIDER OR ANIMAL-DRAWN VEHICLE 27 - TRAIN  
 11 - ALL TERRAIN VEHICLE (ATV/UTV) 17 - MOTORHOME 99 - UNKNOWN OR HIT/SKIP

WAS VEHICLE OPERATING IN AUTONOMOUS MODE WHEN CRASH OCCURRED? 2 0 - NO AUTOMATION 3 - CONDITIONAL AUTOMATION 9 - UNKNOWN  
 1 - DRIVER ASSISTANCE 4 - HIGH AUTOMATION

AUTONOMOUS MODE LEVEL: 0 1 - YES 2 - NO 9 - OTHER / UNKNOWN 2 - PARTIAL AUTOMATION 5 - FULL AUTOMATION

SPECIAL FUNCTION: 1 1 - NONE 6 - BUS - CHARTER/TOUR 11 - FIRE 16 - FARM 21 - MAIL CARRIER  
 2 - TAXI 7 - BUS - INTERCITY 12 - MILITARY 17 - MOWING 99 - OTHER / UNKNOWN  
 3 - ELECTRONIC RIDE SHARING 8 - BUS - SHUTTLE 13 - POLICE 18 - SNOW REMOVAL  
 4 - SCHOOL TRANSPORT 9 - BUS - OTHER 14 - PUBLIC UTILITY 19 - TOWING  
 5 - BUS - TRANSIT/COMMUTER 10 - AMBULANCE 15 - CONSTRUCTION EQUIP. 20 - SAFETY SERVICE PATROL

CARGO BODY TYPE: 1 1 - NO CARGO BODY TYPE / NOT APPLICABLE 4 - LOGGING 7 - GRAIN/CHIPS/GRAVEL 11 - DUMP 99 - OTHER / UNKNOWN  
 2 - BUS 5 - INTERMODAL CONTAINER CHASSIS 8 - POLE 12 - CONCRETE MIXER  
 3 - VEHICLE TOWING ANOTHER MOTOR VEHICLE 6 - CARGOVAN / ENCLOSED BOX 9 - CARGO TANK 13 - AUTO TRANSPORTER  
 10 - FLAT BED 14 - GARBAGE/REFUSE

VEHICLE DEFECTS: 1 - TURN SIGNALS 4 - BRAKES 7 - WORN OR SLICK TIRES 9 - MOTOR TROUBLE 99 - OTHER / UNKNOWN  
 2 - HEAD LAMPS 5 - STEERING 8 - TRAILER EQUIPMENT DEFECTIVE 10 - DISABLED FROM PRIOR ACCIDENT  
 3 - TAIL LAMPS 6 - TIRE BLOWOUT

NON-MOTORIST LOCATION AT IMPACT: 1 1 - INTERSECTION - MARKED CROSSWALK 4 - MIDBLOCK - MARKED CROSSWALK 7 - SHOULDER/ROADSIDE 10 - DRIVEWAY ACCESS 99 - OTHER / UNKNOWN  
 2 - INTERSECTION - UNMARKED CROSSWALK 5 - TRAVEL LANE - OTHER LOCATION 8 - SIDEWALK 11 - SHARED USE PATHS OR TRAILS  
 3 - INTERSECTION - OTHER 6 - BICYCLE LANE 9 - MEDIAN/CROSSING ISLAND 12 - FIRST RESPONDER AT INCIDENT SCENE

ACTION: 2 1 - NON-CONTACT 1 - STRAIGHT AHEAD 9 - LEAVING TRAFFIC LANE 15 - WALKING, RUNNING, JOGGING, PLAYING 21 - STANDING OUTSIDE DISABLED VEHICLE  
 2 - NON-COLLISION 2 - BACKING 10 - PARKED 16 - WORKING 99 - OTHER / UNKNOWN  
 3 - STRIKING 1 4 - OVERTAKING/PASSING 11 - SLOWING OR STOPPED IN TRAFFIC 17 - PUSHING VEHICLE 18 - APPROACHING OR LEAVING VEHICLE  
 4 - STRUCK PRE-CRASH ACTIONS 5 - MAKING RIGHT TURN 12 - DRIVERLESS 19 - STANDING 20 - OTHER NON-MOTORIST  
 5 - BOTH STRIKING & STRUCK 6 - MAKING LEFT TURN 13 - NEGOTIATING A CURVE 14 - ENTERING OR CROSSING SPECIFIED LOCATION  
 9 - OTHER / UNKNOWN 7 - MAKING U-TURN 8 - ENTERING TRAFFIC LANE 10 - ENTERING OR CROSSING SPECIFIED LOCATION

CONTRIBUTING CIRCUMSTANCES: 11 1 - NONE 8 - FOLLOWING TOO CLOSE /ACDA 13 - IMPROPER START FROM A PARKED POSITION 18 - OPERATING DEFECTIVE EQUIPMENT 23 - OPENING DOOR INTO ROADWAY  
 2 - FAILURE TO YIELD 9 - IMPROPER LANE CHANGE 14 - STOPPED OR PARKED ILLEGALLY 19 - LOAD SHIFTING /FALLING/SPILLING 99 - OTHER IMPROPER ACTION  
 3 - RAN RED LIGHT 10 - IMPROPER PASSING 15 - SWERVING TO AVOID 16 - LYING IN ROADWAY 20 - IMPROPER CROSSING  
 4 - RAN STOP SIGN 11 - DROVE OFF ROAD 17 - VISION OBSTRUCTION 22 - NOT DISCERNIBLE  
 5 - UNSAFE SPEED 12 - IMPROPER BACKING  
 6 - IMPROPER TURN 7 - LEFT OF CENTER

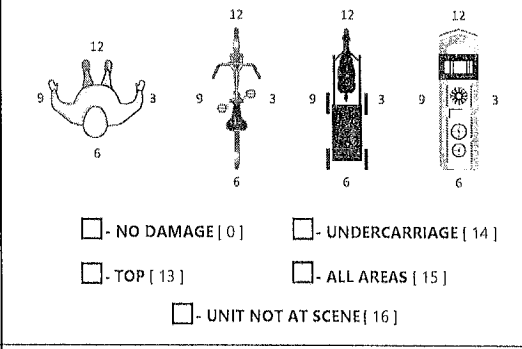
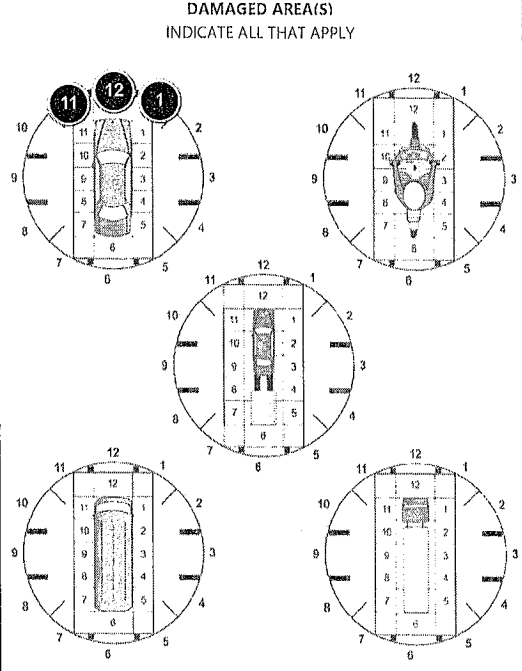
SEQUENCE OF EVENTS: 11 1 - OVERTURN/ROLLOVER 7 - SEPARATION OF UNITS 12 - DOWNHILL RUNAWAY 19 - ANIMAL - OTHER 23 - STRUCK BY FALLING, SHIFTING CARGO OR ANYTHING SET IN MOTION BY A MOTOR VEHICLE  
9 2 - FIRE/EXPLOSION 8 - RAN OFF ROAD RIGHT 13 - OTHER NON-COLLISION 20 - MOTOR VEHICLE IN TRANSPORT 24 - OTHER MOVABLE OBJECT  
44 3 - IMMERSION 9 - RAN OFF ROAD LEFT 14 - PEDESTRIAN 21 - PARKED MOTOR VEHICLE  
 4 - JACKKNIFE 10 - CROSS MEDIAN 15 - PEDALCYCLE 22 - WORK ZONE MAINTENANCE EQUIPMENT  
 5 - CARGO / EQUIPMENT LOSS OR SHIFT 11 - CROSS CENTERLINE - OPPOSITE DIRECTION OF TRAVEL 16 - RAILWAY VEHICLE  
 6 - EQUIPMENT FAILURE 17 - ANIMAL - FARM 18 - ANIMAL - DEER

COLLISION WITH FIXED OBJECT - STRUCK: 1 25 - IMPACT ATTENUATOR / CRASH CUSHION 31 - GUARDRAIL END 38 - OVERHEAD SIGN POST 45 - EMBANKMENT 52 - BUILDING  
3 26 - BRIDGE OVERHEAD STRUCTURE 32 - PORTABLE BARRIER 39 - LIGHT / LUMINARIES SUPPORT 46 - FENCE 53 - TUNNEL  
 27 - BRIDGE PIER OR ABUTMENT 33 - MEDIAN CABLE BARRIER 40 - UTILITY POLE 47 - MAILBOX 54 - OTHER FIXED OBJECT  
 28 - BRIDGE PARAPET 34 - MEDIAN GUARDRAIL BARRIER 41 - OTHER POST, POLE OR SUPPORT 48 - TREE 55 - OTHER FIXED OBJECT  
 29 - BRIDGE RAIL 35 - MEDIAN CONCRETE BARRIER 42 - CULVERT 49 - FIRE HYDRANT 50 - WORK ZONE MAINTENANCE EQUIPMENT  
 30 - GUARDRAIL FACE 36 - MEDIAN OTHER BARRIER 43 - CURB 51 - WALL  
 37 - TRAFFIC SIGN POST 44 - DITCH

FIRST HARMFUL EVENT: 1 MOST HARMFUL EVENT: 3

**DAMAGE**

DAMAGE SCALE: 2 1 - NONE 3 - FUNCTIONAL DAMAGE  
 2 - MINOR DAMAGE 4 - DISABLING DAMAGE  
 9 - UNKNOWN



INITIAL POINT OF CONTACT: 12 0 - NO DAMAGE 14 - UNDERCARRIAGE  
 1 - 12 - REFER TO UNIT DIAGRAM 15 - VEHICLE NOT AT SCENE  
 13 - TOP 99 - UNKNOWN

**TRAFFIC**

TRAFFICWAY FLOW: 2 1 - ONE-WAY 2 - TWO-WAY

TRAFFIC CONTROL: 6 1 - ROUNDABOUT 4 - STOP SIGN  
 2 - SIGNAL 5 - YIELD SIGN  
 3 - FLASHER 6 - NO CONTROL

# OF THROUGH LANES ON ROAD: 2

RAIL GRADE CROSSING: 1 1 - NOT INVOLVED  
 2 - INVOLVED - ACTIVE CROSSING  
 3 - INVOLVED - PASSIVE CROSSING

UNIT / NON-MOTORIST DIRECTION: FROM 1 TO 2

1 - NORTH 5 - NORTHEAST  
 2 - SOUTH 6 - NORTHWEST  
 3 - EAST 7 - SOUTHEAST  
 4 - WEST 8 - SOUTHWEST  
 9 - OTHER / UNKNOWN

UNIT SPEED: 10

POSTED SPEED: 55

DETECTED SPEED: 1 1 - STATED / ESTIMATED SPEED  
 2 - CALCULATED / EDR  
 3 - UNDETERMINED

EVENTS



# MOTORIST / Non-MOTORIST

LOCAL REPORT NUMBER

002100024229

UNIT # 1	NAME: LAST, FIRST, MIDDLE PENNY, MATHEW, J.		DATE OF BIRTH 12/08/1998		AGE 22	GENDER M					
ADDRESS: STREET, CITY, STATE, ZIP 1108 COUNTRY LAKE CIRCLE, GOSHEN, OH, 45122					CONTACT PHONE - INCLUDE AREA CODE						
INJURIES 5	INJURED TAKEN BY 1	EMS AGENCY (NAME)	INJURED TAKEN TO: MEDICAL FACILITY (NAME, CITY)	SAFETY EQUIPMENT USED 1	<input type="checkbox"/> DOT-COMPLIANT <input checked="" type="checkbox"/> MC HELMET	SEATING POSITION 1	AIR BAG USAGE 1	EJECTION 1	TRAPPED 1		
OL STATE OH	OPERATOR LICENSE NUMBER		OFFENSE CHARGED 4511.202	LOCAL CODE <input type="checkbox"/>	OFFENSE DESCRIPTION OPERATING VEHICLE WITHOUT REAS		CITATION NUMBER 01300R30520713202111				
OL CLASS 6	ENDORSEMENT	RESTRICTION SELECT UP TO 3	DRIVER DISTRACTED BY 1	ALCOHOL / DRUG SUSPECTED <input type="checkbox"/> ALCOHOL <input type="checkbox"/> MARIJUANA <input type="checkbox"/> OTHER DRUG	CONDITION 1	ALCOHOL TEST		DRUG TEST(S)			
						STATUS 1	TYPE 1	VALUE	STATUS 1	TYPE 1	RESULTS SELECT UP TO 4

UNIT #	NAME: LAST, FIRST, MIDDLE		DATE OF BIRTH		AGE	GENDER					
ADDRESS: STREET, CITY, STATE, ZIP					CONTACT PHONE - INCLUDE AREA CODE						
INJURIES	INJURED TAKEN BY	EMS AGENCY (NAME)	INJURED TAKEN TO: MEDICAL FACILITY (NAME, CITY)	SAFETY EQUIPMENT USED	<input type="checkbox"/> DOT-COMPLIANT <input type="checkbox"/> MC HELMET	SEATING POSITION	AIR BAG USAGE	EJECTION	TRAPPED		
OL STATE	OPERATOR LICENSE NUMBER		OFFENSE CHARGED	LOCAL CODE <input type="checkbox"/>	OFFENSE DESCRIPTION		CITATION NUMBER				
OL CLASS	ENDORSEMENT	RESTRICTION SELECT UP TO 3	DRIVER DISTRACTED BY	ALCOHOL / DRUG SUSPECTED <input type="checkbox"/> ALCOHOL <input type="checkbox"/> MARIJUANA <input type="checkbox"/> OTHER DRUG	CONDITION	ALCOHOL TEST		DRUG TEST(S)			
						STATUS	TYPE	VALUE	STATUS	TYPE	RESULTS SELECT UP TO 4

UNIT #	NAME: LAST, FIRST, MIDDLE		DATE OF BIRTH		AGE	GENDER					
ADDRESS: STREET, CITY, STATE, ZIP					CONTACT PHONE - INCLUDE AREA CODE						
INJURIES	INJURED TAKEN BY	EMS AGENCY (NAME)	INJURED TAKEN TO: MEDICAL FACILITY (NAME, CITY)	SAFETY EQUIPMENT USED	<input type="checkbox"/> DOT-COMPLIANT <input type="checkbox"/> MC HELMET	SEATING POSITION	AIR BAG USAGE	EJECTION	TRAPPED		
OL STATE	OPERATOR LICENSE NUMBER		OFFENSE CHARGED	LOCAL CODE <input type="checkbox"/>	OFFENSE DESCRIPTION		CITATION NUMBER				
OL CLASS	ENDORSEMENT	RESTRICTION SELECT UP TO 3	DRIVER DISTRACTED BY	ALCOHOL / DRUG SUSPECTED <input type="checkbox"/> ALCOHOL <input type="checkbox"/> MARIJUANA <input type="checkbox"/> OTHER DRUG	CONDITION	ALCOHOL TEST		DRUG TEST(S)			
						STATUS	TYPE	VALUE	STATUS	TYPE	RESULTS SELECT UP TO 4

INJURIES	SEATING POSITION	AIR BAG	OL CLASS	OL RESTRICTION(S)	DRIVER DISTRACTION	TEST STATUS
1 - FATAL 2 - SUSPECTED SERIOUS INJURY 3 - SUSPECTED MINOR INJURY 4 - POSSIBLE INJURY 5 - NO APPARENT INJURY	1 - FRONT - LEFT SIDE (MOTORCYCLE DRIVER) 2 - FRONT - MIDDLE 3 - FRONT - RIGHT SIDE 4 - SECOND - LEFT SIDE (MOTORCYCLE PASSENGER) 5 - SECOND - MIDDLE 6 - SECOND - RIGHT SIDE 7 - THIRD - LEFT SIDE (MOTORCYCLE SIDE CAR) 8 - THIRD - MIDDLE 9 - THIRD - RIGHT SIDE 10 - SLEEPER SECTION OF TRUCK CAB 11 - PASSENGER IN OTHER ENCLOSED CARGO AREA (NON-TRAILING UNIT, BUS, PICK-UP WITH CAP) 12 - PASSENGER IN UNENCLOSED CARGO AREA 13 - TRAILING UNIT 14 - RIDING ON VEHICLE EXTERIOR (NON-TRAILING UNIT) 15 - NON-MOTORIST 99 - OTHER / UNKNOWN	1 - NOT DEPLOYED 2 - DEPLOYED FRONT 3 - DEPLOYED SIDE 4 - DEPLOYED BOTH FRONT/SIDE 5 - NOT APPLICABLE 9 - DEPLOYMENT UNKNOWN	1 - CLASS A 2 - CLASS B 3 - CLASS C 4 - REGULAR CLASS (OHIO = D) 5 - M/C MOPED ONLY 6 - NO VALID OL	1 - ALCOHOL INTERLOCK DEVICE 2 - CDL INTRASTATE ONLY 3 - CORRECTIVE LENSES 4 - FARM WAIVER 5 - EXCEPT CLASS A BUS & CLASS B BUS 6 - EXCEPT CLASS A & CLASS B BUS 7 - EXCEPT TRACTOR-TRAILER 8 - INTERMEDIATE LICENSE RESTRICTIONS 9 - LEARNER'S PERMIT RESTRICTIONS 10 - LIMITED TO DAYLIGHT ONLY 11 - LIMITED TO EMPLOYMENT 12 - LIMITED - OTHER 13 - MECHANICAL DEVICES (SPECIAL BRAKES, HAND CONTROLS, OR OTHER ADAPTIVE DEVICES) 14 - MILITARY VEHICLES ONLY 15 - MOTOR VEHICLES WITHOUT AIR BRAKES 16 - OUTSIDE MIRROR 17 - PROSTHETIC AID 18 - OTHER	1 - NOT DISTRACTED 2 - MANUALLY OPERATING AN ELECTRONIC COMMUNICATION DEVICE (TEXTING, TYPING, DIALING) 3 - TALKING ON HANDS-FREE COMMUNICATION DEVICE 4 - TALKING ON HAND-HELD COMMUNICATION DEVICE 5 - OTHER ACTIVITY WITH AN ELECTRONIC DEVICE 6 - PASSENGER 7 - OTHER DISTRACTION INSIDE THE VEHICLE 8 - OTHER DISTRACTION OUTSIDE THE VEHICLE 9 - OTHER / UNKNOWN	1 - NONE GIVEN 2 - TEST REFUSED 3 - TEST GIVEN, CONTAMINATED SAMPLE / UNUSABLE 4 - TEST GIVEN, RESULTS KNOWN 5 - TEST GIVEN, RESULTS UNKNOWN
<b>INJURIES TAKEN BY</b> 1 - NOT TRANSPORTED /TREATED AT SCENE 2 - EMS 3 - POLICE 9 - OTHER / UNKNOWN		<b>EJECTION</b> 1 - NOT EJECTED 2 - PARTIALLY EJECTED 3 - TOTALLY EJECTED 4 - NOT APPLICABLE	<b>OL ENDORSEMENT</b> H - HAZMAT M - MOTORCYCLE P - PASSENGER N - TANKER Q - MOTOR SCOOTER R - THREE-WHEEL MOTORCYCLE S - SCHOOL BUS T - DOUBLE & TRIPLE TRAILERS X - TANKER / HAZMAT			<b>ALCOHOL TEST TYPE</b> 1 - NONE 2 - BLOOD 3 - URINE 4 - BREATH 5 - OTHER
<b>SAFETY EQUIPMENT</b> 1 - NONE USED 2 - SHOULDER BELT ONLY USED 3 - LAP BELT ONLY USED 4 - SHOULDER & LAP BELT USED 5 - CHILD RESTRAINT SYSTEM - FORWARD FACING 6 - CHILD RESTRAINT SYSTEM - REAR FACING 7 - BOOSTER SEAT 8 - HELMET USED 9 - PROTECTIVE PADS USED (ELBOWS, KNEES, ETC) 10 - REFLECTIVE CLOTHING 11 - LIGHTING - PEDESTRIAN / BICYCLE ONLY 99 - OTHER / UNKNOWN		<b>TRAPPED</b> 1 - NOT TRAPPED 2 - EXTRICATED BY MECHANICAL MEANS 3 - FREED BY NON-MECHANICAL MEANS	<b>GENDER</b> F - FEMALE M - MALE U - OTHER / UNKNOWN		<b>CONDITION</b> 1 - APPARENTLY NORMAL 2 - PHYSICAL IMPAIRMENT 3 - EMOTIONAL (E.G., DEPRESSED, ANGRY, DISTURBED) 4 - ILLNESS 5 - FELL ASLEEP, FAINTED, FATIGUED, ETC. 6 - UNDER THE INFLUENCE OF MEDICATIONS / DRUGS / ALCOHOL 9 - OTHER / UNKNOWN	<b>DRUG TEST TYPE</b> 1 - NONE 2 - BLOOD 3 - URINE 4 - OTHER
						<b>DRUG TEST RESULT(S)</b> 1 - AMPHETAMINES 2 - BARBITURATES 3 - BENZODIAZEPINES 4 - CANNABINOIDS 5 - COCAINE 6 - OPIATES / OPIOIDS 7 - OTHER 8 - NEGATIVE RESULTS



# OCCUPANT / WITNESS ADDENDUM

LOCAL REPORT NUMBER

002100024229

<b>OCCUPANT</b>	UNIT #	NAME: LAST, FIRST, MIDDLE			DATE OF BIRTH	AGE	GENDER			
	ADDRESS: STREET, CITY, STATE, ZIP				CONTACT PHONE - INCLUDE AREA CODE					
	INJURIES	INJURED TAKEN BY	EMS AGENCY (NAME)	INJURED TAKEN TO: MEDICAL FACILITY (NAME, CITY)	SAFETY EQUIPMENT	<input type="checkbox"/> DOT-COMPLIANT <input type="checkbox"/> MC HELMET	SEATING POSITION	AIR BAG USAGE	EJECTION	TRAPPED
<b>OCCUPANT</b>	UNIT #	NAME: LAST, FIRST, MIDDLE			DATE OF BIRTH	AGE	GENDER			
	ADDRESS: STREET, CITY, STATE, ZIP				CONTACT PHONE - INCLUDE AREA CODE					
	INJURIES	INJURED TAKEN BY	EMS AGENCY (NAME)	INJURED TAKEN TO: MEDICAL FACILITY (NAME, CITY)	SAFETY EQUIPMENT	<input type="checkbox"/> DOT-COMPLIANT <input type="checkbox"/> MC HELMET	SEATING POSITION	AIR BAG USAGE	EJECTION	TRAPPED
<b>OCCUPANT</b>	UNIT #	NAME: LAST, FIRST, MIDDLE			DATE OF BIRTH	AGE	GENDER			
	ADDRESS: STREET, CITY, STATE, ZIP				CONTACT PHONE - INCLUDE AREA CODE					
	INJURIES	INJURED TAKEN BY	EMS AGENCY (NAME)	INJURED TAKEN TO: MEDICAL FACILITY (NAME, CITY)	SAFETY EQUIPMENT	<input type="checkbox"/> DOT-COMPLIANT <input type="checkbox"/> MC HELMET	SEATING POSITION	AIR BAG USAGE	EJECTION	TRAPPED
<b>OCCUPANT</b>	UNIT #	NAME: LAST, FIRST, MIDDLE			DATE OF BIRTH	AGE	GENDER			
	ADDRESS: STREET, CITY, STATE, ZIP				CONTACT PHONE - INCLUDE AREA CODE					
	INJURIES	INJURED TAKEN BY	EMS AGENCY (NAME)	INJURED TAKEN TO: MEDICAL FACILITY (NAME, CITY)	SAFETY EQUIPMENT	<input type="checkbox"/> DOT-COMPLIANT <input type="checkbox"/> MC HELMET	SEATING POSITION	AIR BAG USAGE	EJECTION	TRAPPED

INJURIES	SAFETY EQUIPMENT USED	SEATING POSITION	AIR BAG USAGE
1 - FATAL	1 - NONE USED - VEHICLE OCCUPANT	1 - FRONT - LEFT SIDE (MOTORCYCLE DRIVER)	1 - NOT DEPLOYED
2 - SUSPECTED SERIOUS INJURY	2 - SHOULDER BELT ONLY USED	2 - FRONT - MIDDLE	2 - DEPLOYED FRONT
3 - SUSPECTED MINOR INJURY	3 - LAP BELT ONLY USED	3 - FRONT - RIGHT SIDE	3 - DEPLOYED SIDE
4 - POSSIBLE INJURY	4 - SHOULDER & LAP BELT USED	4 - SECOND - LEFT SIDE (MOTORCYCLE PASSENGER)	4 - DEPLOYED BOTH FRONT/SIDE
5 - NO APPARENT INJURY	5 - CHILD RESTRAINT SYSTEM - FORWARD FACING	5 - SECOND - MIDDLE	5 - NOT APPLICABLE
	6 - CHILD RESTRAINT SYSTEM - REAR FACING	6 - SECOND - RIGHT SIDE	9 - DEPLOYMENT UNKNOWN
	7 - BOOSTER SEAT	7 - THIRD - LEFT SIDE (MOTORCYCLE SIDE CAR)	
	8 - HELMET USED	8 - THIRD - MIDDLE	
	9 - PROTECTIVE PADS USED (ELBOWS, KNEES, ETC)	9 - THIRD - RIGHT SIDE	
	10 - REFLECTIVE CLOTHING	10 - SLEEPER SECTION OF TRUCK CAB	
	11 - LIGHTING - PEDESTRIAN / BICYCLE ONLY	11 - PASSENGER IN OTHER ENCLOSED CARGO AREA (NON-TRAILING UNIT SUCH AS A BUS, PICK-UP WITH CAP)	
	99 - OTHER / UNKNOWN	12 - PASSENGER IN UNENCLOSED CARGO AREA	
		13 - TRAILING UNIT	
		14 - RIDING ON VEHICLE EXTERIOR (NON-TRAILING UNIT)	
		15 - NON-MOTORIST	
		99 - OTHER / UNKNOWN	

<b>WITNESS</b>	NAME: LAST, FIRST, MIDDLE	DATE OF BIRTH	AGE	GENDER
	ADDRESS: STREET, CITY, STATE, ZIP	CONTACT PHONE - INCLUDE AREA CODE		
<b>WITNESS</b>	NAME: LAST, FIRST, MIDDLE	DATE OF BIRTH	AGE	GENDER
	ADDRESS: STREET, CITY, STATE, ZIP	CONTACT PHONE - INCLUDE AREA CODE		
<b>WITNESS</b>	NAME: LAST, FIRST, MIDDLE	DATE OF BIRTH	AGE	GENDER
	ADDRESS: STREET, CITY, STATE, ZIP	CONTACT PHONE - INCLUDE AREA CODE		

OHIO TRAFFIC ACCIDENT - OH2 DIAGRAM

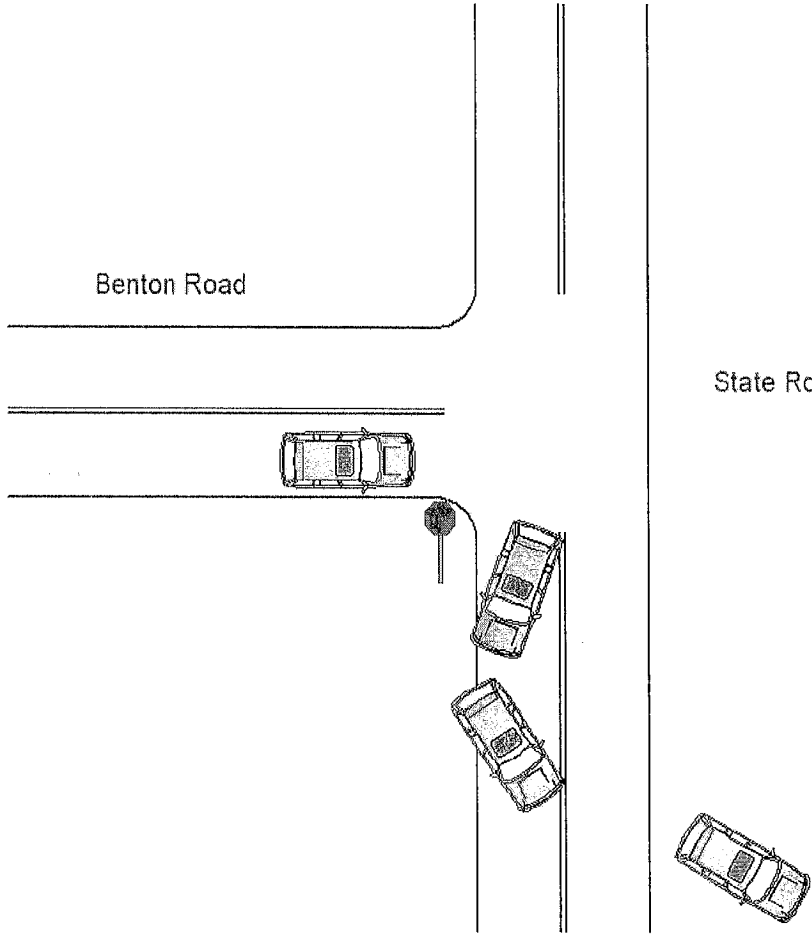
LOCAL REPORT NUMBER <b>002100024229</b>	REPORTING AGENCY <b>Clermont County Sheriff</b>	Date Of Crash <b>07/13/2021</b>
IN COUNTY OF <b>Clermont County</b>	ACCIDENT LOCATION <b>132</b>	



*Not To Scale*

Benton Road

State Route 132



OFFICERS SIGNATURE

BADGE NO.

**R3052**