

# TRAFFIC CRASH REPORT

\*DENOTES MANDATORY FIELD FOR SUPPLEMENT REPORT

LOCAL REPORT NUMBER \*

000210030690

<input checked="" type="checkbox"/> PHOTOS TAKEN	<input type="checkbox"/> OH -2	<input type="checkbox"/> OH -3	LOCAL INFORMATION					
<input type="checkbox"/> SECONDARY CRASH	<input checked="" type="checkbox"/> OH-1P	<input type="checkbox"/> OTHER	REPORTING AGENCY NAME *		NCIC *	HIT/SKIP 1 - SOLVED 2 - UNSOLVED	NUMBER OF UNITS 2	UNIT IN ERROR 98 - ANIMAL 99 - UNKNOWN
	<input type="checkbox"/> PRIVATE PROPERTY		Clermont County Sheriff		01300			

COUNTY* 13	LOCALITY* 3	LOCATION: CITY, VILLAGE, TOWNSHIP* Batavia	CRASH DATE / TIME* 09/01/2021 06:54	CRASH SEVERITY 5
---------------	----------------	---	--	---------------------

ROUTE TYPE SR	ROUTE NUMBER 132	PREFIX 1 - NORTH 2 - SOUTH 3 - EAST 4 - WEST 1	LOCATION ROAD NAME	ROAD TYPE	LATITUDE DECIMAL DEGREES 39.088572
------------------	---------------------	---	--------------------	-----------	---------------------------------------

ROUTE TYPE	ROUTE NUMBER	PREFIX 1 - NORTH 2 - SOUTH 3 - EAST 4 - WEST 1	REFERENCE ROAD NAME (ROAD, MILEPOST, HOUSE #) 4440	ROAD TYPE	LONGITUDE DECIMAL DEGREES -84.171971
------------	--------------	---	---	-----------	---

REFERENCE POINT 3	DIRECTION FROM REFERENCE 1 - NORTH 2 - SOUTH 3 - EAST 4 - WEST	ROUTE TYPE IR - INTERSTATE ROUTE (TP) US - FEDERAL US ROUTE SR - STATE ROUTE CR - NUMBERED COUNTY ROUTE TR - NUMBERED TOWNSHIP ROUTE	ROAD TYPE AL - ALLEY AV - AVENUE BL - BOULEVARD CR - CIRCLE CT - COURT DR - DRIVE HE - HEIGHTS	ROAD TYPE HW - HIGHWAY LA - LANE MP - MILEPOST OV - OVAL PK - PARKWAY PI - PIKE PL - PLACE	RD - ROAD SQ - SQUARE ST - STREET TE - TERRACE TL - TRAIL WA - WAY	INTERSECTION RELATED <input type="checkbox"/> WITHIN INTERSECTION OR ON APPROACH <input type="checkbox"/> WITHIN INTERCHANGE AREA
----------------------	--	---	---	---	---	---

DISTANCE FROM REFERENCE	DIRECTION UNIT OF MEASURE 1 - MILES 2 - FEET 3 - YARDS	<b>ROADWAY</b>			
		<input type="checkbox"/> ROADWAY DIVIDED			

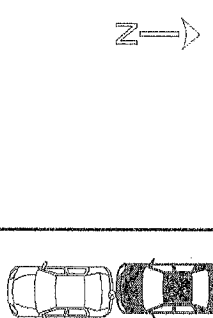
LOCATION OF FIRST HARMFUL EVENT 1 - ON ROADWAY 2 - ON SHOULDER 3 - IN MEDIAN 4 - ON ROADSIDE 5 - ON GORE 6 - OUTSIDE TRAFFIC WAY 7 - ON RAMP 8 - OFF RAMP 1	MANNER OF CRASH COLLISION/IMPACT 1 - NOT COLLISION BETWEEN TWO MOTOR VEHICLES IN TRANSPORT 2 - REAR-END 3 - HEAD-ON 4 - REAR-TO-REAR 5 - BACKING 6 - ANGLE 7 - SIDESWIPE, SAME DIRECTION 8 - SIDESWIPE, OPPOSITE DIRECTION 9 - OTHER / UNKNOWN 2	DIRECTION OF TRAVEL 1 - NORTH 2 - SOUTH 3 - EAST 4 - WEST	MEDIAN TYPE 1 - DIVIDED FLUSH MEDIAN (<4 FEET) 2 - DIVIDED FLUSH MEDIAN (≥4 FEET) 3 - DIVIDED, DEPRESSED MEDIAN 4 - DIVIDED, RAISED MEDIAN (ANY TYPE) 9 - OTHER / UNKNOWN
--	--	---	--

<input type="checkbox"/> WORK ZONE RELATED <input type="checkbox"/> WORKERS PRESENT <input type="checkbox"/> LAW ENFORCEMENT PRESENT <input type="checkbox"/> ACTIVE SCHOOL ZONE	WORK ZONE TYPE 1 - LANE CLOSURE 2 - LANE SHIFT/ CROSSOVER 3 - WORK ON SHOULDER OR MEDIAN 4 - INTERMITTENT OR MOVING WORK 5 - OTHER	LOCATION OF CRASH IN WORK ZONE 1 - BEFORE THE 1ST WORK ZONE WARNING SIGN 2 - ADVANCE WARNING AREA 3 - TRANSITION AREA 4 - ACTIVITY AREA 5 - TERMINATION AREA	CONTOUR 1	CONDITIONS 2	SURFACE 2
---	---	---	--------------	-----------------	--------------

LIGHT CONDITION 1 - DAYLIGHT 2 - DAWN/DUSK 3 - DARK - LIGHTED ROADWAY 4 - DARK - ROADWAY NOT LIGHTED 5 - DARK - UNKNOWN ROADWAY LIGHTING 9 - OTHER / UNKNOWN 2	WEATHER 1 - CLEAR 2 - CLOUDY 3 - FOG, SMOG, SMOKE 4 - RAIN 5 - SLEET, HAIL 4	6 - SNOW 7 - SEVERE CROSSWINDS 8 - BLOWING SAND, SOIL, DIRT, SNOW 9 - FREEZING RAIN OR FREEZING DRIZZLE 99 - OTHER / UNKNOWN
---	--	--

NARRATIVE

On September 1, 2021 Unit 01 was traveling southbound on SR 132 towards SR 222. Unit 01 struck Unit 02 in the rear end.



*Not To Scale*

CRASH REPORTED DATE / TIME 09/01/2021 06:54	DISPATCH DATE / TIME 09/01/2021 06:54	ARRIVAL DATE / TIME 09/01/2021 07:06	SCENE CLEARED DATE / TIME 09/01/2021 08:00	REPORT TAKEN BY <input checked="" type="checkbox"/> POLICE AGENCY <input type="checkbox"/> MOTORIST
TOTAL TIME ROADWAY CLOSED	OTHER INVESTIGATION TIME	TOTAL MINUTES 66	OFFICER'S NAME* Sheppard, Yvonne	CHECKED BY OFFICER'S NAME* Rudd, Jeffrey
			OFFICER'S BADGE NUMBER* R2520	CHECKED BY OFFICER'S BADGE NUMBER* R3052

SUPPLEMENT  
 (CORRECTION OR ADDITION TO AN EXISTING REPORT SENT TO ODPS)

**OWNER**

UNIT # **1** OWNER NAME: LAST, FIRST, MIDDLE (  SAME AS DRIVER )  
**NEWBERRY, SHERRI, LYNN**

OWNER ADDRESS: STREET, CITY, STATE, ZIP (  SAME AS DRIVER )  
**5405 SR 1333, WILLIAMSBURG, OH, 45176**

COMMERCIAL CARRIER: NAME, ADDRESS, CITY, STATE, ZIP  
 COMMERCIAL CARRIER PHONE: INCLUDE AREA CODE

**DAMAGE**

DAMAGE SCALE

1 - NONE      3 - FUNCTIONAL DAMAGE  
 2 - MINOR DAMAGE      4 - DISABLING DAMAGE  
 9 - UNKNOWN

**VEHICLE**

LP STATE **OH** LICENSE PLATE # **HAK4783** VEHICLE IDENTIFICATION # **3N1AB7AP5DL722109** VEHICLE YEAR **2013** VEHICLE MAKE **NISSAN**

INSURANCE VERIFIED INSURANCE COMPANY **PROGRESSIVE** INSURANCE POLICY # **930814165** COLOR **GRY** VEHICLE MODEL **SENTRA**

COMMERCIAL  GOVERNMENT  IN EMERGENCY RESPONSE TYPE OF USE US DOT # TOWED BY: COMPANY NAME

INTERLOCK DEVICE EQUIPPED  HIT/SKIP UNIT # OCCUPANTS VEHICLE WEIGHT GVWR/GCWR HAZARDOUS MATERIAL CLASS # PLACARD ID #

1 - PASSENGER CAR      6 - VAN (9-15 SEATS)      12 - GOLF CART      18 - LIMO (LIVERY VEHICLE)      23 - PEDESTRIAN/SKATER  
 2 - PASSENGER VAN (MINIVAN)      7 - MOTORCYCLE 2-WHEELED      13 - SNOWMOBILE      19 - BUS (16+ PASSENGERS)      24 - WHEELCHAIR (ANY TYPE)  
 3 - SPORT UTILITY VEHICLE      8 - MOTORCYCLE 3-WHEELED      14 - SINGLE UNIT TRUCK      20 - OTHER VEHICLE      25 - OTHER NON-MOTORIST  
 4 - PICK UP      9 - AUTOCYCLE      15 - SEMI-TRACTOR      21 - HEAVY EQUIPMENT      26 - BICYCLE  
 5 - CARGO VAN      10 - MOPED OR MOTORIZED BICYCLE      16 - FARM EQUIPMENT      22 - ANIMAL WITH RIDER OR ANIMAL-DRAWN VEHICLE      27 - TRAIN  
 11 - ALL TERRAIN VEHICLE (ATV/UTV)      17 - MOTORHOME      99 - UNKNOWN OR HIT/SKIP

# OF TRAILING UNITS

**DAMAGED AREA(S)**  
 INDICATE ALL THAT APPLY

NO DAMAGE [ 0 ]       UNDERCARRIAGE [ 14 ]  
 TOP [ 13 ]       ALL AREAS [ 15 ]  
 UNIT NOT AT SCENE [ 16 ]

WAS VEHICLE OPERATING IN AUTONOMOUS MODE WHEN CRASH OCCURRED?  0 - NO AUTOMATION      3 - CONDITIONAL AUTOMATION      9 - UNKNOWN  
 1 - DRIVER ASSISTANCE      4 - HIGH AUTOMATION      5 - FULL AUTOMATION

**SPECIAL FUNCTION**

1 - NONE      6 - BUS - CHARTER/TOUR      11 - FIRE      16 - FARM      21 - MAIL CARRIER  
 2 - TAXI      7 - BUS - INTERCITY      12 - MILITARY      17 - MOWING      99 - OTHER / UNKNOWN  
 3 - ELECTRONIC RIDE SHARING      8 - BUS - SHUTTLE      13 - POLICE      18 - SNOW REMOVAL  
 4 - SCHOOL TRANSPORT      9 - BUS - OTHER      14 - PUBLIC UTILITY      19 - TOWING  
 5 - BUS - TRANSIT/COMMUTER      10 - AMBULANCE      15 - CONSTRUCTION EQUIP.      20 - SAFETY SERVICE PATROL

**CARGO BODY TYPE**

1 - NO CARGO BODY TYPE / NOT APPLICABLE      4 - LOGGING      7 - GRAIN/CHIPS/GRAVEL      11 - DUMP      99 - OTHER / UNKNOWN  
 2 - BUS      5 - INTERMODAL CONTAINER CHASSIS      8 - POLE      12 - CONCRETE MIXER  
 3 - VEHICLE TOWING ANOTHER MOTOR VEHICLE      6 - CARGOVAN /ENCLOSED BOX      9 - CARGO TANK      13 - AUTO TRANSPORTER      14 - GARBAGE/REFUSE

**VEHICLE DEFECTS**

1 - TURN SIGNALS      4 - BRAKES      7 - WORN OR SLICK TIRES      9 - MOTOR TROUBLE      99 - OTHER / UNKNOWN  
 2 - HEAD LAMPS      5 - STEERING      8 - TRAILER EQUIPMENT DEFECTIVE      10 - DISABLED FROM PRIOR ACCIDENT  
 3 - TAIL LAMPS      6 - TIRE BLOWOUT

**INITIAL POINT OF CONTACT**

0 - NO DAMAGE      14 - UNDERCARRIAGE  
 1-12 - REFER TO UNIT DIAGRAM      15 - VEHICLE NOT AT SCENE  
 13 - TOP      99 - UNKNOWN

**NON-MOTORIST LOCATION**

1 - INTERSECTION - MARKED CROSSWALK      4 - MIDBLOCK - MARKED CROSSWALK      7 - SHOULDER/ROADSIDE      10 - DRIVEWAY ACCESS      99 - OTHER / UNKNOWN  
 2 - INTERSECTION - UNMARKED CROSSWALK      5 - TRAVEL LANE - OTHER LOCATION      8 - SIDEWALK      11 - SHARED USE PATHS OR TRAILS  
 3 - INTERSECTION - OTHER      6 - BICYCLE LANE      9 - MEDIAN/CROSSING ISLAND      12 - FIRST RESPONDER AT INCIDENT SCENE

**ACTION**

1 - NON-CONTACT      1 - STRAIGHT AHEAD      9 - LEAVING TRAFFIC LANE      15 - WALKING, RUNNING, JOGGING, PLAYING      21 - STANDING OUTSIDE DISABLED VEHICLE  
 2 - NON-COLLISION      2 - BACKING      10 - PARKED      16 - WORKING      99 - OTHER / UNKNOWN  
 3 - STRIKING      3 - CHANGING LANES      11 - SLOWING OR STOPPED IN TRAFFIC      17 - PUSHING VEHICLE      18 - APPROACHING OR LEAVING VEHICLE  
 4 - STRUCK      4 - OVERTAKING/PASSING      12 - DRIVERLESS      19 - STANDING      20 - OTHER NON-MOTORIST  
 5 - BOTH STRIKING & STRUCK      5 - MAKING RIGHT TURN      13 - NEGOTIATING A CURVE      21 - LYING IN ROADWAY  
 9 - OTHER / UNKNOWN      6 - MAKING LEFT TURN      14 - ENTERING OR CROSSING SPECIFIED LOCATION      22 - NOT DISCERNIBLE  
 7 - MAKING U-TURN      8 - ENTERING TRAFFIC LANE      15 - SWERVING TO AVOID      16 - WRONG WAY      17 - VISION OBSTRUCTION

**CONTRIBUTING CIRCUMSTANCES**

1 - NONE      8 - FOLLOWING TOO CLOSE /ACDA      13 - IMPROPER START FROM A PARKED POSITION      18 - OPERATING DEFECTIVE EQUIPMENT      23 - OPENING DOOR INTO ROADWAY  
 2 - FAILURE TO YIELD      9 - IMPROPER LANE CHANGE      14 - STOPPED OR PARKED ILLEGALLY      19 - LOAD SHIFTING /FALLING/SPILLING      99 - OTHER IMPROPER ACTION  
 3 - RAN RED LIGHT      10 - IMPROPER PASSING      15 - SWERVING TO AVOID      20 - IMPROPER CROSSING      21 - LYING IN ROADWAY  
 4 - RAN STOP SIGN      11 - DROVE OFF ROAD      16 - WRONG WAY      22 - NOT DISCERNIBLE  
 5 - UNSAFE SPEED      12 - IMPROPER BACKING      17 - VISION OBSTRUCTION

**TRAFFIC**

TRAFFICWAY FLOW      TRAFFIC CONTROL

1 - ONE-WAY      1 - ROUNDABOUT      4 - STOP SIGN  
 2 - TWO-WAY      2 - SIGNAL      5 - YIELD SIGN  
 3 - FLASHER      6 - NO CONTROL

# OF THROUGH LANES ON ROAD      RAIL GRADE CROSSING

2       1 - NOT INVOLVED  
 2 - INVOLVED-ACTIVE CROSSING  
 3 - INVOLVED PASSIVE CROSSING

**EVENTS**

SEQUENCE OF EVENTS

1  20      1 - OVERTURN/ROLLOVER      7 - SEPARATION OF UNITS      12 - DOWNHILL RUNAWAY      19 - ANIMAL -OTHER      23 - STRUCK BY FALLING, SHIFTING CARGO OR ANYTHING SET IN MOTION BY A MOTOR VEHICLE  
 2      2 - FIRE/EXPLOSION      8 - RAN OFF ROAD RIGHT      13 - OTHER NON-COLLISION      20 - MOTOR VEHICLE IN TRANSPORT      24 - OTHER MOVABLE OBJECT  
 3      3 - IMMERSION      9 - RAN OFF ROAD LEFT      14 - PEDESTRIAN      21 - PUSHER MOTOR VEHICLE  
 4      4 - JACKKNIFE      10 - CROSS MEDIAN      15 - PEDALCYCLE      22 - WORK ZONE MAINTENANCE EQUIPMENT  
 5      5 - CARGO / EQUIPMENT LOSS OR SHIFT      11 - CROSS CENTERLINE - OPPOSITE DIRECTION OF TRAVEL      16 - RAILWAY VEHICLE      50 - WORK ZONE MAINTENANCE EQUIPMENT  
 6      6 - EQUIPMENT FAILURE      17 - ANIMAL - FARM      18 - ANIMAL - DEER      51 - WALL

**COLLISION WITH FIXED OBJECT - STRUCK**

1      25 - IMPACT ATTENUATOR / CRASH CUSHION      31 - GUARDRAIL END      38 - OVERHEAD SIGN POST      45 - EMBANKMENT      52 - BUILDING  
 2      26 - BRIDGE OVERHEAD STRUCTURE      32 - PORTABLE BARRIER      39 - LIGHT / LUMINARIES SUPPORT      46 - FENCE      53 - TUNNEL  
 3      27 - BRIDGE PIER OR ABUTMENT      33 - MEDIAN CABLE BARRIER      40 - UTILITY POLE      47 - MAILBOX      54 - OTHER FIXED OBJECT  
 4      28 - BRIDGE PARAPET      34 - MEDIAN GUARDRAIL BARRIER      41 - OTHER POST, POLE OR SUPPORT      48 - TREE      99 - OTHER / UNKNOWN  
 5      29 - BRIDGE RAIL      35 - MEDIAN CONCRETE BARRIER      42 - CULVERT      49 - FIRE HYDRANT  
 6      30 - GUARDRAIL FACE      36 - MEDIAN OTHER BARRIER      43 - CURB      50 - WORK ZONE MAINTENANCE EQUIPMENT

1      FIRST HARMFUL EVENT       1      MOST HARMFUL EVENT

**UNIT / NON-MOTORIST DIRECTION**

FROM  1      TO  2

1 - NORTH      5 - NORTHEAST  
 2 - SOUTH      6 - NORTHWEST  
 3 - EAST      7 - SOUTHEAST  
 4 - WEST      8 - SOUTHWEST  
 9 - OTHER / UNKNOWN

**UNIT SPEED**      **DETECTED SPEED**

25       1 - STATED / ESTIMATED SPEED  
 55       2 - CALCULATED / EDR  
 55       3 - UNDETERMINED

**OWNER**

UNIT # 2 OWNER NAME: LAST, FIRST, MIDDLE:  SAME AS DRIVER  
 WOLFE, RAVEN, MARIE OWNER PHONE: INCLUDE AREA CODE /  SAME AS DRIVER

OWNER ADDRESS: STREET, CITY, STATE, ZIP:  SAME AS DRIVER  
 6423 TAYLOR PIKE, BLANCHESTER, OH, 45107

COMMERCIAL CARRIER: NAME, ADDRESS, CITY, STATE, ZIP COMMERCIAL CARRIER PHONE: INCLUDE AREA CODE

**DAMAGE**

DAMAGE SCALE

1 - NONE 3 - FUNCTIONAL DAMAGE  
 2 - MINOR DAMAGE 4 - DISABLING DAMAGE  
 9 - UNKNOWN

2

**VEHICLE**

LP STATE OH LICENSE PLATE # HZJ9214 VEHICLE IDENTIFICATION # 1FAHP2E80DG142456 VEHICLE YEAR 2013 VEHICLE MAKE FORD

INSURANCE VERIFIED  INSURANCE COMPANY PROGRESSIVE INSURANCE POLICY # 948577269 COLOR WHI VEHICLE MODEL TAURUS

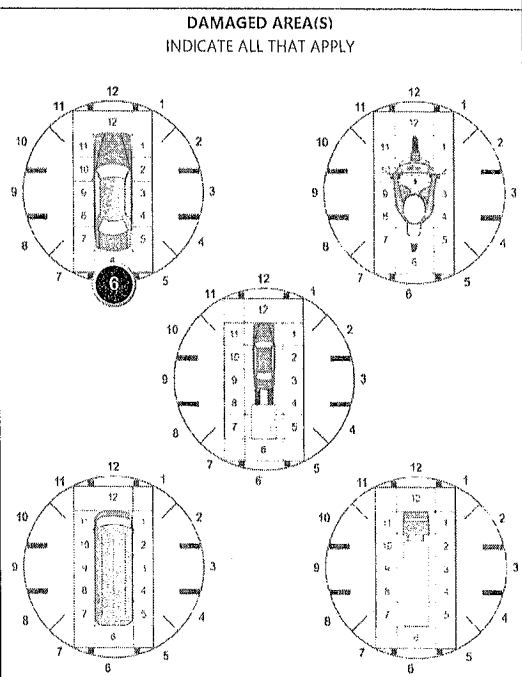
TYPE OF USE:  COMMERCIAL  GOVERNMENT  IN EMERGENCY RESPONSE US DOT #

INTERLOCK DEVICE EQUIPPED  HIT/SKIP UNIT  # OCCUPANTS VEHICLE WEIGHT GVWR/GCWR: 1 - ≤ 10K LBS., 2 - 10,001 - 26K LBS., 3 - > 26K LBS.

HAZARDOUS MATERIAL:  MATERIAL RELEASED  PLACARD CLASS # PLACARD ID #

1 PASSENGER CAR 6 - VAN (9-15 SEATS) 12 - GOLF CART 18 - LIMO (LIVERY VEHICLE) 23 - PEDESTRIAN/SKATER  
 2 - PASSENGER VAN (MINIVAN) 7 - MOTORCYCLE 2-WHEELED 13 - SNOWMOBILE 19 - BUS (16+ PASSENGERS) 24 - WHEELCHAIR (ANY TYPE)  
 3 - SPORT UTILITY VEHICLE 8 - MOTORCYCLE 3-WHEELED 14 - SINGLE UNIT TRUCK 20 - OTHER VEHICLE 25 - OTHER NON-MOTORIST  
 4 - PICK UP 9 - AUTOCYCLE 15 - SEMI-TRACTOR 21 - HEAVY EQUIPMENT 26 - BICYCLE  
 5 - CARGO VAN 10 - MOPED OR MOTORIZED BICYCLE 16 - FARM EQUIPMENT 22 - ANIMAL WITH RIDER OR ANIMAL-DRAWN VEHICLE 27 - TRAIN  
 11 - ALL TERRAIN VEHICLE (ATV/UTV) 17 - MOTORHOME 99 - UNKNOWN OR HIT/SKIP

# of TRAILING UNITS

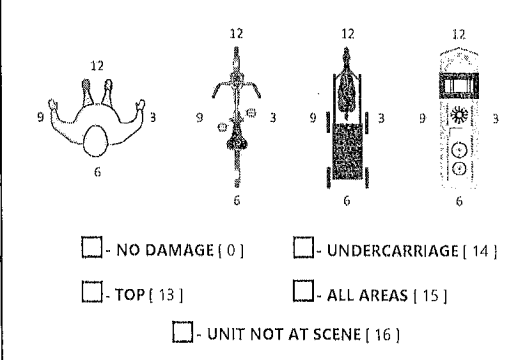


WAS VEHICLE OPERATING IN AUTONOMOUS MODE WHEN CRASH OCCURRED? 0 - NO AUTOMATION 3 - CONDITIONAL AUTOMATION 9 - UNKNOWN  
 2 1 - DRIVER ASSISTANCE 4 - HIGH AUTOMATION 5 - FULL AUTOMATION

1 - NONE 2 - TAXI 3 - ELECTRONIC RIDE SHARING 4 - SCHOOL TRANSPORT 5 - BUS - TRANSIT/COMMUTER 6 - BUS - CHARTER/TOUR 7 - BUS - INTERCITY 8 - BUS - SHUTTLE 9 - BUS - OTHER 10 - AMBULANCE 11 - FIRE 12 - MILITARY 13 - POLICE 14 - PUBLIC UTILITY 15 - CONSTRUCTION EQUIP. 16 - FARM 17 - MOWING 18 - SNOW REMOVAL 19 - TOWING 20 - SAFETY SERVICE PATROL 21 - MAIL CARRIER 99 - OTHER / UNKNOWN

1 - NO CARGO BODY TYPE / NOT APPLICABLE 2 - BUS 3 - VEHICLE TOWING ANOTHER MOTOR VEHICLE 4 - LOGGING 5 - INTERMODAL CONTAINER CHASSIS 6 - CARGOVAN /ENCLOSED BOX 7 - GRAIN/CHIPS/GRAVEL 8 - POLE 9 - CARGO TANK 10 - FLAT BED 11 - DUMP 12 - CONCRETE MIXER 13 - AUTO TRANSPORTER 14 - GARBAGE/REFUSE 99 - OTHER / UNKNOWN

1 - TURN SIGNALS 2 - HEAD LAMPS 3 - TAIL LAMPS 4 - BRAKES 5 - STEERING 6 - TIRE BLOWOUT 7 - WORN OR SLICK TIRES 8 - TRAILER EQUIPMENT DEFECTIVE 9 - MOTOR TROUBLE 10 - DISABLED FROM PRIOR ACCIDENT 99 - OTHER / UNKNOWN



NON-MOTORIST LOCATION: 1 - INTERSECTION - MARKED CROSSWALK 2 - INTERSECTION - UNMARKED CROSSWALK 3 - INTERSECTION - OTHER 4 - MIDBLOCK - MARKED CROSSWALK 5 - TRAVEL LANE - OTHER LOCATION 6 - BICYCLE LANE 7 - SHOULDER/ROADSIDE 8 - SIDEWALK 9 - MEDIAN/CROSSING ISLAND 10 - DRIVEWAY ACCESS 11 - SHARED USE PATHS OR TRAILS 12 - FIRST RESPONDER AT INCIDENT SCENE 99 - OTHER / UNKNOWN

ACTION: 4 1 - NON-CONTACT 2 - NON-COLLISION 3 - STRIKING 4 - STRUCK 5 - BOTH STRIKING & STRUCK 9 - OTHER / UNKNOWN 11 PRE-CRASH ACTIONS: 1 - STRAIGHT AHEAD 2 - BACKING 3 - CHANGING LANES 4 - OVERTAKING/PASSING 5 - MAKING RIGHT TURN 6 - MAKING LEFT TURN 7 - MAKING U-TURN 8 - ENTERING TRAFFIC LANE 9 - LEAVING TRAFFIC LANE 10 - PARKED 11 - SLOWING OR STOPPED IN TRAFFIC 12 - DRIVERLESS 13 - NEGOTIATING A CURVE 14 - ENTERING OR CROSSING SPECIFIED LOCATION 15 - WALKING, RUNNING, JOGGING, PLAYING 16 - WORKING 17 - PUSHING VEHICLE 18 - APPROACHING OR LEAVING VEHICLE 19 - STANDING 20 - OTHER NON-MOTORIST 21 - STANDING OUTSIDE DISABLED VEHICLE 99 - OTHER / UNKNOWN

6

INITIAL POINT OF CONTACT

0 - NO DAMAGE 14 - UNDERCARRIAGE 15 - VEHICLE NOT AT SCENE 99 - UNKNOWN

6 1-12 - REFER TO UNIT DIAGRAM 13 - TOP

**EVENTS**

CONTRIBUTING CIRCUMSTANCES: 1 1 - NONE 2 - FAILURE TO YIELD 3 - RAN RED LIGHT 4 - RAN STOP SIGN 5 - UNSAFE SPEED 6 - IMPROPER TURN 7 - LEFT OF CENTER 8 - FOLLOWING TOO CLOSE /ACDA 9 - IMPROPER LANE CHANGE 10 - IMPROPER PASSING 11 - DROVE OFF ROAD 12 - IMPROPER BACKING 13 - IMPROPER START FROM A PARKED POSITION 14 - STOPPED OR PARKED ILLEGALLY 15 - SWERVING TO AVOID 16 - WRONG WAY 17 - VISION OBSTRUCTION 18 - OPERATING DEFECTIVE EQUIPMENT 19 - LOAD SHIFTING /FALLING/SPILLING 20 - IMPROPER CROSSING 21 - LYING IN ROADWAY 22 - NOT DISCERNIBLE 23 - OPENING DOOR INTO ROADWAY 99 - OTHER IMPROPER ACTION

SEQUENCE OF EVENTS: 1 20 1 - OVERTURN/ROLLOVER 2 - FIRE/EXPLOSION 3 - IMMERSION 4 - JACKKNIFE 5 - CARGO / EQUIPMENT LOSS OR SHIFT 6 - EQUIPMENT FAILURE 7 - SEPARATION OF UNITS 8 - RAN OFF ROAD RIGHT 9 - RAN OFF ROAD LEFT 10 - CROSS MEDIAN 11 - CROSS CENTERLINE - OPPOSITE DIRECTION OF TRAVEL 12 - DOWNHILL RUNAWAY 13 - OTHER NON-COLLISION 14 - PEDESTRIAN 15 - PEDALCYCLE 16 - RAILWAY VEHICLE 17 - ANIMAL - FARM 18 - ANIMAL - DEER 19 - ANIMAL - OTHER 20 - MOTOR VEHICLE IN TRANSPORT 21 - PARKED MOTOR VEHICLE 22 - WORK ZONE MAINTENANCE EQUIPMENT 23 - STRUCK BY FALLING, SHIFTING CARGO OR ANYTHING SET IN MOTION BY A MOTOR VEHICLE 24 - OTHER MOVABLE OBJECT

COLLISION WITH FIXED OBJECT - STRUCK: 1 1 25 - IMPACT ATTENUATOR / CRASH CUSHION 26 - BRIDGE OVERHEAD STRUCTURE 27 - BRIDGE PIER OR ABUTMENT 28 - BRIDGE PARAPET 29 - BRIDGE RAIL 30 - GUARDRAIL FACE 31 - GUARDRAIL END 32 - PORTABLE BARRIER 33 - MEDIAN CABLE BARRIER 34 - MEDIAN GUARDRAIL BARRIER 35 - MEDIAN CONCRETE BARRIER 36 - MEDIAN OTHER BARRIER 37 - TRAFFIC SIGN POST 38 - OVERHEAD SIGN POST 39 - LIGHT / LUMINARIES SUPPORT 40 - UTILITY POLE 41 - OTHER POST, POLE OR SUPPORT 42 - CULVERT 43 - CURB 44 - DITCH 45 - EMBANKMENT 46 - FENCE 47 - MAILBOX 48 - TREE 49 - FIRE HYDRANT 50 - WORK ZONE MAINTENANCE EQUIPMENT 51 - WALL 52 - BUILDING 53 - TUNNEL 54 - OTHER FIXED OBJECT 99 - OTHER / UNKNOWN

FIRST HARMFUL EVENT 1 MOST HARMFUL EVENT 1

**TRAFFIC**

TRAFFICWAY FLOW: 2 1 - ONE-WAY 2 - TWO-WAY

TRAFFIC CONTROL: 6 1 - ROUNDABOUT 2 - SIGNAL 3 - FLASHER 4 - STOP SIGN 5 - YIELD SIGN 6 - NO CONTROL

# of THROUGH LANES ON ROAD: 2 RAIL GRADE CROSSING: 1 1 - NOT INVOLVED 2 - INVOLVED-ACTIVE CROSSING 3 - INVOLVED-PASSIVE CROSSING

UNIT / NON-MOTORIST DIRECTION: FROM 1 TO 2 1 - NORTH 2 - SOUTH 3 - EAST 4 - WEST 5 - NORTHEAST 6 - NORTHWEST 7 - SOUTHEAST 8 - SOUTHWEST 9 - OTHER / UNKNOWN

UNIT SPEED: 0 DETECTED SPEED: 1 1 - STATED / ESTIMATED SPEED 2 - CALCULATED / EDR 3 - UNDETERMINED

POSTED SPEED: 55

# MOTORIST / Non-MOTORIST

LOCAL REPORT NUMBER  
000210030690

UNIT # 1	NAME: LAST, FIRST, MIDDLE NEWBERRY, LISA, MARIE				DATE OF BIRTH 09/20/1993		AGE 27	GENDER F		
ADDRESS: STREET, CITY, STATE, ZIP 5405 SR 133, WILLIAMSBURG, OH, 45176					CONTACT PHONE - INCLUDE AREA CODE [REDACTED]					
INJURIES 5	INJURED TAKEN BY 1	EMS AGENCY (NAME)	INJURED TAKEN TO: MEDICAL FACILITY (NAME, CITY)		SAFETY EQUIPMENT USED 4	<input type="checkbox"/> DOT-COMPLIANT <input checked="" type="checkbox"/> MC HELMET	SEATING POSITION 1	AIR BAG USAGE 1	EJECTION 1	TRAPPED 1
OL STATE OH	OPERATOR LICENSE NUMBER [REDACTED]		OFFENSE CHARGED		LOCAL CODE <input type="checkbox"/>	OFFENSE DESCRIPTION			CITATION NUMBER	
OL CLASS 4	ENDORSEMENT	RESTRICTION SELECT UP TO 3	DRIVER DISTRACTED BY 1	ALCOHOL / DRUG SUSPECTED <input type="checkbox"/> ALCOHOL <input type="checkbox"/> MARIJUANA <input type="checkbox"/> OTHER DRUG		CONDITION 1	ALCOHOL TEST STATUS: 1, TYPE: 1, VALUE: .		DRUG TEST(S) STATUS: 1, TYPE: 1, RESULTS SELECT UP TO 4	

UNIT # 2	NAME: LAST, FIRST, MIDDLE WOLFE, RAVEN, MARIE				DATE OF BIRTH 01/31/1995		AGE 26	GENDER F		
ADDRESS: STREET, CITY, STATE, ZIP 6423 TAYLOR PIKE, BLANCHESTER, OH, 45107					CONTACT PHONE - INCLUDE AREA CODE [REDACTED]					
INJURIES 5	INJURED TAKEN BY 1	EMS AGENCY (NAME)	INJURED TAKEN TO: MEDICAL FACILITY (NAME, CITY)		SAFETY EQUIPMENT USED 4	<input type="checkbox"/> DOT-COMPLIANT <input checked="" type="checkbox"/> MC HELMET	SEATING POSITION 1	AIR BAG USAGE 1	EJECTION 1	TRAPPED 1
OL STATE OH	OPERATOR LICENSE NUMBER [REDACTED]		OFFENSE CHARGED		LOCAL CODE <input type="checkbox"/>	OFFENSE DESCRIPTION			CITATION NUMBER	
OL CLASS 4	ENDORSEMENT	RESTRICTION SELECT UP TO 3	DRIVER DISTRACTED BY 1	ALCOHOL / DRUG SUSPECTED <input type="checkbox"/> ALCOHOL <input type="checkbox"/> MARIJUANA <input type="checkbox"/> OTHER DRUG		CONDITION 1	ALCOHOL TEST STATUS: 1, TYPE: 1, VALUE: .		DRUG TEST(S) STATUS: 1, TYPE: 1, RESULTS SELECT UP TO 4	

UNIT #	NAME: LAST, FIRST, MIDDLE				DATE OF BIRTH		AGE	GENDER		
ADDRESS: STREET, CITY, STATE, ZIP					CONTACT PHONE - INCLUDE AREA CODE					
INJURIES	INJURED TAKEN BY	EMS AGENCY (NAME)	INJURED TAKEN TO: MEDICAL FACILITY (NAME, CITY)		SAFETY EQUIPMENT USED	<input type="checkbox"/> DOT-COMPLIANT <input type="checkbox"/> MC HELMET	SEATING POSITION	AIR BAG USAGE	EJECTION	TRAPPED
OL STATE	OPERATOR LICENSE NUMBER		OFFENSE CHARGED		LOCAL CODE	OFFENSE DESCRIPTION			CITATION NUMBER	
OL CLASS	ENDORSEMENT	RESTRICTION SELECT UP TO 3	DRIVER DISTRACTED BY	ALCOHOL / DRUG SUSPECTED <input type="checkbox"/> ALCOHOL <input type="checkbox"/> MARIJUANA <input type="checkbox"/> OTHER DRUG		CONDITION	ALCOHOL TEST STATUS: 1, TYPE: 1, VALUE: .		DRUG TEST(S) STATUS: 1, TYPE: 1, RESULTS SELECT UP TO 4	

INJURIES	SEATING POSITION	AIR BAG	OL CLASS	OL RESTRICTION(S)	DRIVER DISTRACTION	TEST STATUS
1 - FATAL 2 - SUSPECTED SERIOUS INJURY 3 - SUSPECTED MINOR INJURY 4 - POSSIBLE INJURY 5 - NO APPARENT INJURY	1 - FRONT - LEFT SIDE (MOTORCYCLE DRIVER) 2 - FRONT - MIDDLE 3 - FRONT - RIGHT SIDE 4 - SECOND - LEFT SIDE (MOTORCYCLE PASSENGER) 5 - SECOND - MIDDLE 6 - SECOND - RIGHT SIDE 7 - THIRD - LEFT SIDE (MOTORCYCLE SIDE CAR) 8 - THIRD - MIDDLE 9 - THIRD - RIGHT SIDE 10 - SLEEPER SECTION OF TRUCK CAB 11 - PASSENGER IN OTHER ENCLOSED CARGO AREA (NON-TRAILING UNIT, BUS, PICK-UP WITH CAP) 12 - PASSENGER IN UNENCLOSED CARGO AREA 13 - TRAILING UNIT 14 - RIDING ON VEHICLE EXTERIOR (NON-TRAILING UNIT) 15 - NON-MOTORIST 99 - OTHER / UNKNOWN	1 - NOT DEPLOYED 2 - DEPLOYED FRONT 3 - DEPLOYED SIDE 4 - DEPLOYED BOTH FRONT/SIDE 5 - NOT APPLICABLE 9 - DEPLOYMENT UNKNOWN	1 - CLASS A 2 - CLASS B 3 - CLASS C 4 - REGULAR CLASS (OHIO = D) 5 - M/C MOPED ONLY 6 - NO VALID OL	1 - ALCOHOL INTERLOCK DEVICE 2 - CDL INTRASTATE ONLY 3 - CORRECTIVE LENSES 4 - FARM WAIVER 5 - EXCEPT CLASS A BUS 6 - EXCEPT CLASS A & CLASS B BUS 7 - EXCEPT TRACTOR-TRAILER 8 - INTERMEDIATE LICENSE RESTRICTIONS 9 - LEARNER'S PERMIT RESTRICTIONS 10 - LIMITED TO DAYLIGHT ONLY 11 - LIMITED TO EMPLOYMENT 12 - LIMITED - OTHER 13 - MECHANICAL DEVICES (SPECIAL BRAKES, HAND CONTROLS, OR OTHER ADAPTIVE DEVICES) 14 - MILITARY VEHICLES ONLY 15 - MOTOR VEHICLES WITHOUT AIR BRAKES 16 - OUTSIDE MIRROR 17 - PROSTHETIC AID 18 - OTHER	1 - NOT DISTRACTED 2 - MANUALLY OPERATING AN ELECTRONIC COMMUNICATION DEVICE (TEXTING, TYPING, DIALING) 3 - TALKING ON HANDS-FREE COMMUNICATION DEVICE 4 - TALKING ON HAND-HELD COMMUNICATION DEVICE 5 - OTHER ACTIVITY WITH AN ELECTRONIC DEVICE 6 - PASSENGER 7 - OTHER DISTRACTION INSIDE THE VEHICLE 8 - OTHER DISTRACTION OUTSIDE THE VEHICLE 9 - OTHER / UNKNOWN	1 - NONE GIVEN 2 - TEST REFUSED 3 - TEST GIVEN, CONTAMINATED SAMPLE / UNUSABLE 4 - TEST GIVEN, RESULTS KNOWN 5 - TEST GIVEN, RESULTS UNKNOWN
INJURIES TAKEN BY	EJECTION		OL ENDORSEMENT	CONDITION		ALCOHOL TEST TYPE
1 - NOT TRANSPORTED / TREATED AT SCENE 2 - EMS 3 - POLICE 9 - OTHER / UNKNOWN	1 - NOT EJECTED 2 - PARTIALLY EJECTED 3 - TOTALLY EJECTED 4 - NOT APPLICABLE	H - HAZMAT M - MOTORCYCLE P - PASSENGER N - TANKER Q - MOTOR SCOOTER R - THREE-WHEEL MOTORCYCLE S - SCHOOL BUS T - DOUBLE & TRIPLE TRAILERS X - TANKER / HAZMAT	1 - APPARENTLY NORMAL 2 - PHYSICAL IMPAIRMENT 3 - EMOTIONAL (E.G., DEPRESSED, ANGRY, DISTURBED) 4 - ILLNESS 5 - FELL ASLEEP, FAINTED, FATIGUED, ETC. 6 - UNDER THE INFLUENCE OF MEDICATIONS / DRUGS / ALCOHOL 9 - OTHER / UNKNOWN	1 - NONE 2 - BLOOD 3 - URINE 4 - BREATH 5 - OTHER		
SAFETY EQUIPMENT	TRAPPED		GENDER		DRUG TEST TYPE	DRUG TEST RESULT(S)
1 - NONE USED 2 - SHOULDER BELT ONLY USED 3 - LAP BELT ONLY USED 4 - SHOULDER & LAP BELT USED 5 - CHILD RESTRAINT SYSTEM - FORWARD FACING 6 - CHILD RESTRAINT SYSTEM - REAR FACING 7 - BOOSTER SEAT 8 - HELMET USED 9 - PROTECTIVE PADS USED (ELBOWS, KNEES, ETC) 10 - REFLECTIVE CLOTHING 11 - LIGHTING - PEDESTRIAN / BICYCLE ONLY 99 - OTHER / UNKNOWN	1 - NOT TRAPPED 2 - EXTRICATED BY MECHANICAL MEANS 3 - FREED BY NON-MECHANICAL MEANS	F - FEMALE M - MALE U - OTHER / UNKNOWN	1 - NONE 2 - BLOOD 3 - URINE 4 - OTHER	1 - AMPHETAMINES 2 - BARBITURATES 3 - BENZODIAZEPINES 4 - CANNABINOIDS 5 - COCAINE 6 - OPIATES / OPIOIDS 7 - OTHER 8 - NEGATIVE RESULTS		



# OCCUPANT / WITNESS ADDENDUM

LOCAL REPORT NUMBER

000210030690

<b>UNIT #</b>		<b>NAME: LAST, FIRST, MIDDLE</b>			<b>DATE OF BIRTH</b>		<b>AGE</b>	<b>GENDER</b>	
<b>ADDRESS: STREET, CITY, STATE, ZIP</b>					<b>CONTACT PHONE - INCLUDE AREA CODE</b>				
<b>INJURIES</b>	<b>INJURED TAKEN BY</b>	<b>EMS AGENCY (NAME)</b>	<b>INJURED TAKEN TO: MEDICAL FACILITY (NAME, CITY)</b>	<b>SAFETY EQUIPMENT</b>	<input type="checkbox"/> DOT-COMPLIANT MC HELMET	<b>SEATING POSITION</b>	<b>AIR BAG USAGE</b>	<b>EJECTION</b>	<b>TRAPPED</b>

<b>UNIT #</b>		<b>NAME: LAST, FIRST, MIDDLE</b>			<b>DATE OF BIRTH</b>		<b>AGE</b>	<b>GENDER</b>	
<b>ADDRESS: STREET, CITY, STATE, ZIP</b>					<b>CONTACT PHONE - INCLUDE AREA CODE</b>				
<b>INJURIES</b>	<b>INJURED TAKEN BY</b>	<b>EMS AGENCY (NAME)</b>	<b>INJURED TAKEN TO: MEDICAL FACILITY (NAME, CITY)</b>	<b>SAFETY EQUIPMENT</b>	<input type="checkbox"/> DOT-COMPLIANT MC HELMET	<b>SEATING POSITION</b>	<b>AIR BAG USAGE</b>	<b>EJECTION</b>	<b>TRAPPED</b>

<b>UNIT #</b>		<b>NAME: LAST, FIRST, MIDDLE</b>			<b>DATE OF BIRTH</b>		<b>AGE</b>	<b>GENDER</b>	
<b>ADDRESS: STREET, CITY, STATE, ZIP</b>					<b>CONTACT PHONE - INCLUDE AREA CODE</b>				
<b>INJURIES</b>	<b>INJURED TAKEN BY</b>	<b>EMS AGENCY (NAME)</b>	<b>INJURED TAKEN TO: MEDICAL FACILITY (NAME, CITY)</b>	<b>SAFETY EQUIPMENT</b>	<input type="checkbox"/> DOT-COMPLIANT MC HELMET	<b>SEATING POSITION</b>	<b>AIR BAG USAGE</b>	<b>EJECTION</b>	<b>TRAPPED</b>

<b>UNIT #</b>		<b>NAME: LAST, FIRST, MIDDLE</b>			<b>DATE OF BIRTH</b>		<b>AGE</b>	<b>GENDER</b>	
<b>ADDRESS: STREET, CITY, STATE, ZIP</b>					<b>CONTACT PHONE - INCLUDE AREA CODE</b>				
<b>INJURIES</b>	<b>INJURED TAKEN BY</b>	<b>EMS AGENCY (NAME)</b>	<b>INJURED TAKEN TO: MEDICAL FACILITY (NAME, CITY)</b>	<b>SAFETY EQUIPMENT</b>	<input type="checkbox"/> DOT-COMPLIANT MC HELMET	<b>SEATING POSITION</b>	<b>AIR BAG USAGE</b>	<b>EJECTION</b>	<b>TRAPPED</b>

<b>INJURIES</b>	<b>SAFETY EQUIPMENT USED</b>	<b>SEATING POSITION</b>	<b>AIR BAG USAGE</b>
1 - FATAL	1 - NONE USED - VEHICLE OCCUPANT	1 - FRONT - LEFT SIDE (MOTORCYCLE DRIVER)	1 - NOT DEPLOYED
2 - SUSPECTED SERIOUS INJURY	2 - SHOULDER BELT ONLY USED	2 - FRONT - MIDDLE	2 - DEPLOYED FRONT
3 - SUSPECTED MINOR INJURY	3 - LAP BELT ONLY USED	3 - FRONT - RIGHT SIDE	3 - DEPLOYED SIDE
4 - POSSIBLE INJURY	4 - SHOULDER & LAP BELT USED	4 - SECOND - LEFT SIDE (MOTORCYCLE PASSENGER)	4 - DEPLOYED BOTH FRONT/SIDE
5 - NO APPARENT INJURY	5 - CHILD RESTRAINT SYSTEM - FORWARD FACING	5 - SECOND - MIDDLE	5 - NOT APPLICABLE
	6 - CHILD RESTRAINT SYSTEM - REAR FACING	6 - SECOND - RIGHT SIDE	9 - DEPLOYMENT UNKNOWN
	7 - BOOSTER SEAT	7 - THIRD - LEFT SIDE (MOTORCYCLE SIDE CAR)	
	8 - HELMET USED	8 - THIRD - MIDDLE	
	9 - PROTECTIVE PADS USED (ELBOWS, KNEES, ETC)	9 - THIRD - RIGHT SIDE	
	10 - REFLECTIVE CLOTHING	10 - SLEEPER SECTION OF TRUCK CAB	
	11 - LIGHTING - PEDESTRIAN / BICYCLE ONLY	11 - PASSENGER IN OTHER ENCLOSED CARGO AREA (NON-TRAILING UNIT SUCH AS A BUS, PICK-UP WITH CAP)	
	99 - OTHER / UNKNOWN	12 - PASSENGER IN UNENCLOSED CARGO AREA	
		13 - TRAILING UNIT	
		14 - RIDING ON VEHICLE EXTERIOR (NON-TRAILING UNIT)	
		15 - NON-MOTORIST	
		99 - OTHER / UNKNOWN	

<b>INJURED TAKEN BY</b>	<b>EJECTION</b>
1 - NOT TRANSPORTED / TREATED AT SCENE	1 - NOT EJECTED
2 - EMS	2 - PARTIALLY EJECTED
3 - POLICE	3 - TOTALLY EJECTED
9 - OTHER / UNKNOWN	4 - NOT APPLICABLE

<b>GENDER</b>	<b>TRAPPED</b>
F - FEMALE	1 - NOT TRAPPED
M - MALE	2 - EXTRICATED BY MECHANICAL MEANS
U - OTHER / UNKNOWN	3 - FREED BY NON-MECHANICAL MEANS

<b>NAME: LAST, FIRST, MIDDLE</b>		<b>DATE OF BIRTH</b>		<b>AGE</b>	<b>GENDER</b>	
<b>ADDRESS: STREET, CITY, STATE, ZIP</b>					<b>CONTACT PHONE - INCLUDE AREA CODE</b>	

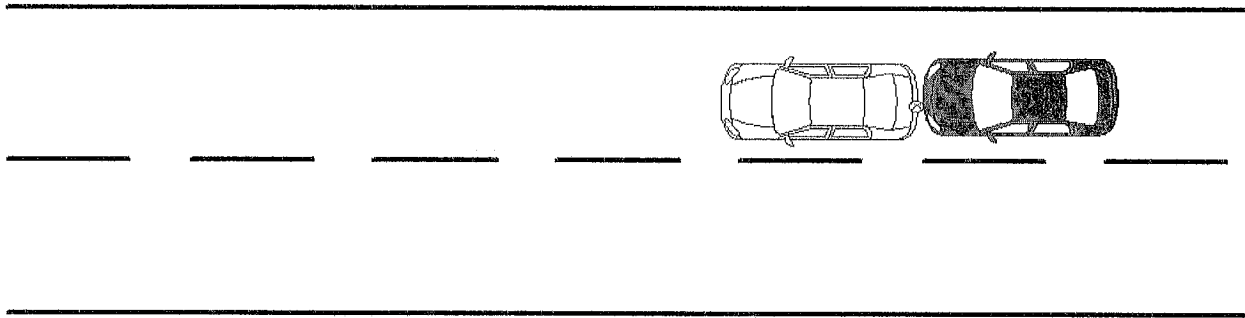
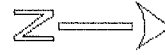
<b>NAME: LAST, FIRST, MIDDLE</b>		<b>DATE OF BIRTH</b>		<b>AGE</b>	<b>GENDER</b>	
<b>ADDRESS: STREET, CITY, STATE, ZIP</b>					<b>CONTACT PHONE - INCLUDE AREA CODE</b>	

<b>NAME: LAST, FIRST, MIDDLE</b>		<b>DATE OF BIRTH</b>		<b>AGE</b>	<b>GENDER</b>	
<b>ADDRESS: STREET, CITY, STATE, ZIP</b>					<b>CONTACT PHONE - INCLUDE AREA CODE</b>	

OHIO TRAFFIC ACCIDENT - OH2 DIAGRAM

LOCAL REPORT NUMBER <b>000210030690</b>	REPORTING AGENCY <b>Clermont County Sheriff</b>	Date Of Crash <b>09/01/2021</b>
IN COUNTY OF <b>Clermont County</b>	ACCIDENT LOCATION <b>132</b>	



*Not To Scale*

OFFICERS SIGNATURE	BADGE NO. <b>R2520</b>
--------------------	---------------------------