

TRAFFIC CRASH REPORT

*DENOTES MANDATORY FIELD FOR SUPPLEMENT REPORT

LOCAL REPORT NUMBER *

000210031523

| | | | | | | |
|--|--|---|-----------------|--|----------------------|---|
| <input checked="" type="checkbox"/> PHOTOS TAKEN <input type="checkbox"/> OH-2 <input type="checkbox"/> OH-3 <input type="checkbox"/> SECONDARY CRASH <input type="checkbox"/> OH-1P <input type="checkbox"/> OTHER <input checked="" type="checkbox"/> PRIVATE PROPERTY | | LOCAL INFORMATION REPORTING AGENCY NAME * Clermont County Sheriff | NCIC * 01300 | HIT/SKIP 1 - SOLVED 2 - UNSOLVED | NUMBER OF UNITS 2 | UNIT IN ERROR 98 - ANIMAL 99 - UNKNOWN 1 |
|--|--|---|-----------------|--|----------------------|---|

| | | | | |
|---------------|---|---|--|---|
| COUNTY* 13 | LOCALITY* 1 - CITY 2 - VILLAGE 3 - TOWNSHIP 3 | LOCATION: CITY, VILLAGE, TOWNSHIP* Batavia | CRASH DATE / TIME* 09/07/2021 08:00 | CRASH SEVERITY 1 - FATAL 2 - SERIOUS INJURY SUSPECTED 3 - MINOR INJURY SUSPECTED 4 - INJURY POSSIBLE 5 - PROPERTY DAMAGE ONLY 5 |
|---------------|---|---|--|---|

| | | | | |
|---|---|-----------------|---|--|
| ROUTE TYPE LOCATION ROUTE NUMBER PREFIX 1 - NORTH 2 - SOUTH 3 - EAST 4 - WEST 3 | LOCATION ROAD NAME Stonelick Woods | ROAD TYPE CT | LATITUDE DECIMAL DEGREES 39.085692 | CRASH SEVERITY 1 - FATAL 2 - SERIOUS INJURY SUSPECTED 3 - MINOR INJURY SUSPECTED 4 - INJURY POSSIBLE 5 - PROPERTY DAMAGE ONLY |
| ROUTE TYPE REFERENCE ROUTE NUMBER PREFIX 1 - NORTH 2 - SOUTH 3 - EAST 4 - WEST 3 | REFERENCE ROAD NAME (ROAD, MILEPOST, HOUSE #) 2201 | ROAD TYPE | LONGITUDE DECIMAL DEGREES -84.221156 | |

| | | | | |
|--|--|---|--|---|
| REFERENCE POINT 1 - INTERSECTION 2 - MILE POST 3 - HOUSE # 3 | DIRECTION FROM REFERENCE 1 - NORTH 2 - SOUTH 3 - EAST 4 - WEST | ROUTE TYPE IR - INTERSTATE ROUTE (TP) US - FEDERAL US ROUTE SR - STATE ROUTE CR - NUMBERED COUNTY ROUTE TR - NUMBERED TOWNSHIP ROUTE | ROAD TYPE AL - ALLEY HW - HIGHWAY RD - ROAD AV - AVENUE LA - LANE SQ - SQUARE BL - BOULEVARD MP - MILEPOST ST - STREET CR - CIRCLE OV - OVAL TE - TERRACE CT - COURT PK - PARKWAY TL - TRAIL DR - DRIVE PI - PIKE WA - WAY HE - HEIGHTS PL - PLACE | INTERSECTION RELATED <input type="checkbox"/> WITHIN INTERSECTION OR ON APPROACH <input type="checkbox"/> WITHIN INTERCHANGE AREA NUMBER OF APPROACHES |
| DISTANCE FROM REFERENCE 1 - MILES 2 - FEET 3 - YARDS | DISTANCE UNIT OF MEASURE 1 - MILES 2 - FEET 3 - YARDS | ROADWAY <input type="checkbox"/> ROADWAY DIVIDED | | |

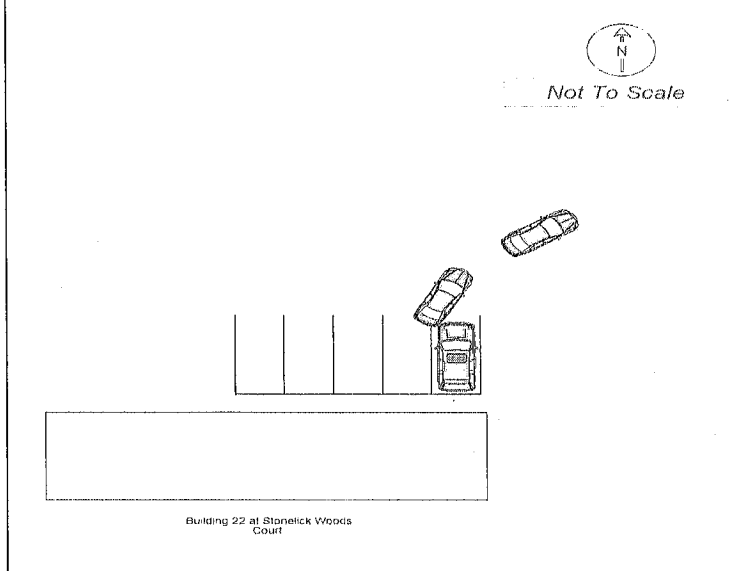
| | | | |
|--|--|---|--|
| LOCATION OF FIRST HARMFUL EVENT 1 - ON ROADWAY 2 - ON SHOULDER 3 - IN MEDIAN 4 - ON ROADSIDE 5 - ON GORE 6 - OUTSIDE TRAFFIC WAY 7 - ON RAMP 8 - OFF RAMP 6 | MANNER OF CRASH COLLISION/IMPACT 1 - NOT COLLISION 2 - REAR-END 3 - HEAD-ON 4 - REAR-TO-REAR 5 - BACKING 6 - ANGLE 7 - SIDESWIPE, SAME DIRECTION 8 - SIDESWIPE, OPPOSITE DIRECTION 9 - OTHER / UNKNOWN 5 | DIRECTION OF TRAVEL 1 - NORTH 2 - SOUTH 3 - EAST 4 - WEST | MEDIAN TYPE 1 - DIVIDED FLUSH MEDIAN (<4 FEET) 2 - DIVIDED FLUSH MEDIAN (≥4 FEET) 3 - DIVIDED, DEPRESSED MEDIAN 4 - DIVIDED, RAISED MEDIAN (ANY TYPE) 9 - OTHER / UNKNOWN |
|--|--|---|--|

| | | | | | |
|---|---|---|--|--|--|
| <input type="checkbox"/> WORK ZONE RELATED <input type="checkbox"/> WORKERS PRESENT <input type="checkbox"/> LAW ENFORCEMENT PRESENT <input type="checkbox"/> ACTIVE SCHOOL ZONE | WORK ZONE TYPE 1 - LANE CLOSURE 2 - LANE SHIFT/ CROSSOVER 3 - WORK ON SHOULDER OR MEDIAN 4 - INTERMITTENT OR MOVING WORK 5 - OTHER | LOCATION OF CRASH IN WORK ZONE 1 - BEFORE THE 1ST WORK ZONE WARNING SIGN 2 - ADVANCE WARNING AREA 3 - TRANSITION AREA 4 - ACTIVITY AREA 5 - TERMINATION AREA | CONTOUR 1 - STRAIGHT LEVEL 2 - STRAIGHT GRADE 3 - CURVE LEVEL 4 - CURVE GRADE 9 - OTHER /UNKNOWN 1 | CONDITIONS 1 - DRY 2 - WET 3 - SNOW 4 - ICE 5 - SAND, MUD, DIRT, OIL, GRAVEL 6 - WATER (STANDING, MOVING) 7 - SLUSH 9 - OTHER / UNKNOWN 1 | SURFACE 1 - CONCRETE 2 - BLACKTOP, BITUMINOUS, ASPHALT 3 - BRICK/BLOCK 4 - SLAG, GRAVEL, STONE 5 - DIRT 9 - OTHER / UNKNOWN 2 |
|---|---|---|--|--|--|

| | |
|---|--|
| LIGHT CONDITION 1 - DAYLIGHT 2 - DAWN/DUSK 3 - DARK - LIGHTED ROADWAY 4 - DARK - ROADWAY NOT LIGHTED 5 - DARK - UNKNOWN ROADWAY LIGHTING 9 - OTHER / UNKNOWN 1 | WEATHER 1 - CLEAR 2 - CLOUDY 3 - FOG, SMOG, SMOKE 4 - RAIN 5 - SLEET, HAIL 6 - SNOW 7 - SEVERE CROSSWINDS 8 - BLOWING SAND, SOIL, DIRT, SNOW 9 - FREEZING RAIN OR FREEZING DRIZZLE 99 - OTHER / UNKNOWN 1 |
|---|--|

NARRATIVE

On the above date and time I responded to the stated address for a hit skip that occurred on private. When I arrived I made contact with the owner of unit #2. The owner of unit #2 advised that when his wife came home from work she advised him that somebody had struck his vehicle. The owner of unit #2 advised that he thinks he knows who struck his vehicle, but is not sure. The owner of unit #2 advised that bus pick up for the school is in front of his residence and a black car always parks beside his vehicle. The owner of unit #2 advised that he does not know where the vehicle is located at but if he finds it he will call the police.



| | | | | |
|--|--|---|---|---|
| CRASH REPORTED DATE / TIME 09/07/2021 13:39 | DISPATCH DATE / TIME 09/07/2021 13:39 | ARRIVAL DATE / TIME 09/07/2021 13:57 | SCENE CLEARED DATE / TIME 09/07/2021 14:30 | REPORT TAKEN BY <input checked="" type="checkbox"/> POLICE AGENCY <input type="checkbox"/> MOTORIST |
| TOTAL TIME ROADWAY CLOSED OTHER INVESTIGATION TIME TOTAL MINUTES 51 | OFFICER'S NAME* Rudd, Jeffrey OFFICER'S BADGE NUMBER* R3052 | CHECKED BY OFFICER'S NAME* Scott, D CHECKED BY OFFICER'S BADGE NUMBER* R2367 | <input checked="" type="checkbox"/> SUPPLEMENT (CORRECTION OR ADDITION TO AN EXISTING REPORT SENT TO ODPS) | |

OWNER

UNIT # 1 OWNER NAME: LAST, FIRST, MIDDLE: SAME AS DRIVER
 UNKNOWN, UNKNOWN

OWNER ADDRESS: STREET, CITY, STATE, ZIP: SAME AS DRIVER
 , OH

COMMERCIAL CARRIER: NAME, ADDRESS, CITY, STATE, ZIP

OWNER PHONE: INCLUDE AREA CODE: SAME AS DRIVER

COMMERCIAL CARRIER PHONE: INCLUDE AREA CODE

VEHICLE

LP STATE _____ LICENSE PLATE # _____ VEHICLE IDENTIFICATION # _____ VEHICLE YEAR _____ VEHICLE MAKE _____

INSURANCE VERIFIED INSURANCE COMPANY _____ INSURANCE POLICY # _____ COLOR _____ VEHICLE MODEL _____

COMMERCIAL GOVERNMENT IN EMERGENCY RESPONSE TYPE OF USE

INTERLOCK DEVICE EQUIPPED HIT/SKIP UNIT # OCCUPANTS _____ US DOT # _____ TOWED BY: COMPANY NAME _____

VEHICLE WEIGHT GVWR/GCWR: 1 - ≤10K LBS., 2 - 10,001 - 26K LBS., 3 - > 26K LBS.

HAZARDOUS MATERIAL: MATERIAL CLASS # _____ RELEASED PLACARD ID # _____ PLACARD _____

UNIT TYPE: 1 - PASSENGER CAR, 2 - PASSENGER VAN (MINIVAN), 3 - SPORT UTILITY VEHICLE, 4 - PICK UP, 5 - CARGO VAN, 6 - VAN (9-15 SEATS), 7 - MOTORCYCLE 2-WHEELED, 8 - MOTORCYCLE 3-WHEELED, 9 - AUTOCYCLE, 10 - MOPED OR MOTORIZED BICYCLE, 11 - ALL TERRAIN VEHICLE (ATV/UTV), 12 - GOLF CART, 13 - SNOWMOBILE, 14 - SINGLE UNIT TRUCK, 15 - SEMI-TRACTOR, 16 - FARM EQUIPMENT, 17 - MOTORHOME, 18 - LIMO (LIVERY VEHICLE), 19 - BUS (16+ PASSENGERS), 20 - OTHER VEHICLE, 21 - HEAVY EQUIPMENT, 22 - ANIMAL WITH RIDER OR ANIMAL-DRAWN VEHICLE, 23 - PEDESTRIAN/SKATER, 24 - WHEELCHAIR (ANY TYPE), 25 - OTHER NON-MOTORIST, 26 - BICYCLE, 27 - TRAIN, 99 - UNKNOWN OR HIT/SKIP

of TRAILING UNITS _____

WAS VEHICLE OPERATING IN AUTONOMOUS MODE WHEN CRASH OCCURRED? 2

1 - YES 2 - NO 9 - OTHER / UNKNOWN

AUTONOMOUS MODE LEVEL: 0

0 - NO AUTOMATION 1 - DRIVER ASSISTANCE 2 - PARTIAL AUTOMATION 3 - CONDITIONAL AUTOMATION 4 - HIGH AUTOMATION 5 - FULL AUTOMATION 9 - UNKNOWN

SPECIAL FUNCTION: 1

1 - NONE 2 - TAXI 3 - ELECTRONIC RIDE SHARING 4 - SCHOOL TRANSPORT 5 - BUS - TRANSIT/COMMUTER 6 - BUS - CHARTER/TOUR 7 - BUS - INTERCITY 8 - BUS - SHUTTLE 9 - BUS - OTHER 10 - AMBULANCE 11 - FIRE 12 - MILITARY 13 - POLICE 14 - PUBLIC UTILITY 15 - CONSTRUCTION EQUIP. 16 - FARM 17 - MOWING 18 - SNOW REMOVAL 19 - TOWING 20 - SAFETY SERVICE PATROL 21 - MAIL CARRIER 99 - OTHER / UNKNOWN

CARGO BODY TYPE: 1

1 - NO CARGO BODY TYPE / NOT APPLICABLE 2 - BUS 3 - VEHICLE TOWING ANOTHER MOTOR VEHICLE 4 - LOGGING 5 - INTERMODAL CONTAINER CHASSIS 6 - CARGOVAN /ENCLOSED BOX 7 - GRAIN/CHIPS/GRAVEL 8 - POLE 9 - CARGO TANK 10 - FLAT BED 11 - DUMP 12 - CONCRETE MIXER 13 - AUTO TRANSPORTER 14 - GARBAGE/REFUSE 99 - OTHER / UNKNOWN

VEHICLE DEFECTS: 1

1 - TURN SIGNALS 2 - HEAD LAMPS 3 - TAIL LAMPS 4 - BRAKES 5 - STEERING 6 - TIRE BLOWOUT 7 - WORN OR SLICK TIRES 8 - TRAILER EQUIPMENT DEFECTIVE 9 - MOTOR TROUBLE 10 - DISABLED FROM PRIOR ACCIDENT 99 - OTHER / UNKNOWN

NON-MOTORIST LOCATION: 1

1 - INTERSECTION - MARKED CROSSWALK 2 - INTERSECTION - UNMARKED CROSSWALK 3 - INTERSECTION - OTHER 4 - MIDBLOCK - MARKED CROSSWALK 5 - TRAVEL LANE - OTHER LOCATION 6 - BICYCLE LANE 7 - SHOULDER/ROADSIDE 8 - SIDEWALK 9 - MEDIAN/CROSSING ISLAND 10 - DRIVEWAY ACCESS 11 - SHARED USE PATHS OR TRAILS 12 - FIRST RESPONDER AT INCIDENT SCENE 99 - OTHER / UNKNOWN

ACTION: 3

1 - NON-CONTACT 2 - NON-COLLISION 3 - STRIKING 4 - STRUCK 5 - BOTH STRIKING & STRUCK 9 - OTHER / UNKNOWN

PRE-CRASH ACTIONS: 2

1 - STRAIGHT AHEAD 2 - BACKING 3 - CHANGING LANES 4 - OVERTAKING/PASSING 5 - MAKING RIGHT TURN 6 - MAKING LEFT TURN 7 - MAKING U-TURN 8 - ENTERING TRAFFIC LANE 9 - LEAVING TRAFFIC LANE 10 - PARKED 11 - STOPPED OR STOPPED IN TRAFFIC 12 - DRIVERLESS 13 - NEGOTIATING A CURVE 14 - ENTERING OR CROSSING SPECIFIED LOCATION 15 - WALKING, RUNNING, JOGGING, PLAYING 16 - WORKING 17 - PUSHING VEHICLE 18 - APPROACHING OR LEAVING VEHICLE 19 - STANDING 20 - OTHER NON-MOTORIST 21 - STANDING OUTSIDE DISABLED VEHICLE 99 - OTHER / UNKNOWN

CONTRIBUTING CIRCUMSTANCES: 12

1 - NONE 2 - FAILURE TO YIELD 3 - RAN RED LIGHT 4 - RAN STOP SIGN 5 - UNSAFE SPEED 6 - IMPROPER TURN 7 - LEFT OF CENTER 8 - FOLLOWING TOO CLOSE /ACDA 9 - IMPROPER LANE CHANGE 10 - IMPROPER PASSING 11 - DROVE OFF ROAD 12 - IMPROPER BACKING 13 - IMPROPER START FROM A PARKED POSITION 14 - STOPPED OR PARKED ILLEGALLY 15 - SWERVING TO AVOID 16 - WRONG WAY 17 - VISION OBSTRUCTION 18 - OPERATING DEFECTIVE EQUIPMENT 19 - LOAD SHIFTING /FALLING/SPILLING 20 - IMPROPER CROSSING 21 - LYING IN ROADWAY 22 - NOT DISCERNIBLE 23 - OPENING DOOR INTO ROADWAY 99 - OTHER IMPROPER ACTION

SEQUENCE OF EVENTS: 1

1 - OVERTURN/ROLLOVER 2 - FIRE/EXPLOSION 3 - IMMERSION 4 - JACKKNIFE 5 - CARGO / EQUIPMENT LOSS OR SHIFT 6 - EQUIPMENT FAILURE 7 - SEPARATION OF UNITS 8 - RAN OFF ROAD RIGHT 9 - RAN OFF ROAD LEFT 10 - CROSS MEDIAN 11 - CROSS CENTERLINE - OPPOSITE DIRECTION OF TRAVEL 12 - DOWNHILL RUNAWAY 13 - OTHER NON-COLLISION 14 - PEDESTRIAN 15 - PEDALCYCLE 16 - RAILWAY VEHICLE 17 - ANIMAL - FARM 18 - ANIMAL - DEER 19 - ANIMAL - OTHER 20 - MOTOR VEHICLE IN TRANSPORT 21 - PARKED MOTOR VEHICLE 22 - WORK ZONE MAINTENANCE EQUIPMENT 23 - STRUCK BY FALLING, SHIFTING CARGO OR ANYTHING SET IN MOTION BY A MOTOR VEHICLE 24 - OTHER MOVABLE OBJECT

COLLISION WITH FIXED OBJECT - STRUCK

25 - IMPACT ATTENUATOR / CRASH CUSHION 26 - BRIDGE OVERHEAD STRUCTURE 27 - BRIDGE PIER OR ABUTMENT 28 - BRIDGE PARAPET 29 - BRIDGE RAIL 30 - GUARDRAIL FACE 31 - GUARDRAIL END 32 - PORTABLE BARRIER 33 - MEDIUM CABLE BARRIER 34 - MEDIUM GUARDRAIL BARRIER 35 - MEDIUM CONCRETE BARRIER 36 - MEDIUM OTHER BARRIER 37 - TRAFFIC SIGN POST 38 - OVERHEAD SIGN POST 39 - LIGHT / LUMINARIES SUPPORT 40 - UTILITY POLE 41 - OTHER POST, POLE OR SUPPORT 42 - CULVERT 43 - CURB 44 - DITCH 45 - EMBANKMENT 46 - FENCE 47 - MAILBOX 48 - TREE 49 - FIRE HYDRANT 50 - WORK ZONE MAINTENANCE EQUIPMENT 51 - WALL 52 - BUILDING 53 - TUNNEL 54 - OTHER FIXED OBJECT 99 - OTHER / UNKNOWN

FIRST HARMFUL EVENT: 1 MOST HARMFUL EVENT: 1

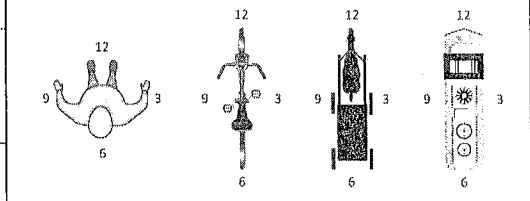
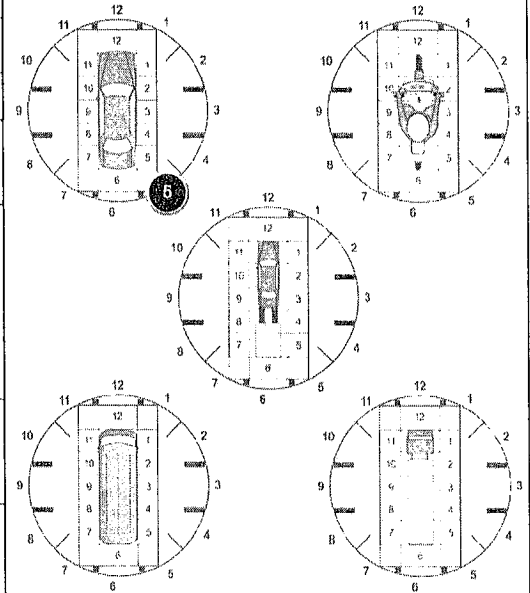
LOCAL REPORT NUMBER
 000210031523

DAMAGE

DAMAGE SCALE

1 - NONE 2 - MINOR DAMAGE 3 - FUNCTIONAL DAMAGE 4 - DISABLING DAMAGE 9 - UNKNOWN

DAMAGED AREA(S)
 INDICATE ALL THAT APPLY



NO DAMAGE [0] UNDERCARRIAGE [14]

TOP [13] ALL AREAS [15]

UNIT NOT AT SCENE [16]

INITIAL POINT OF CONTACT

0 - NO DAMAGE 14 - UNDERCARRIAGE 15 - VEHICLE NOT AT SCENE 99 - UNKNOWN

1-12 - REFER TO UNIT DIAGRAM 13 - TOP

TRAFFIC

TRAFFICWAY FLOW: 2

1 - ONE-WAY 2 - TWO-WAY

TRAFFIC CONTROL: 6

1 - ROUNDABOUT 2 - SIGNAL 3 - FLASHER 4 - STOP SIGN 5 - YIELD SIGN 6 - NO CONTROL

of THROUGH LANES ON ROAD: 2

RAIL GRADE CROSSING: 1

1 - NOT INVOLVED 2 - INVOLVED-ACTIVE CROSSING 3 - INVOLVED-PASSIVE CROSSING

UNIT / NON-MOTORIST DIRECTION

FROM 1 TO 2

1 - NORTH 2 - SOUTH 3 - EAST 4 - WEST 5 - NORTHEAST 6 - NORTHWEST 7 - SOUTHEAST 8 - SOUTHWEST 9 - OTHER / UNKNOWN

UNIT SPEED: 5

POSTED SPEED: 10

DETECTED SPEED: 1

1 - STATED / ESTIMATED SPEED 2 - CALCULATED / EDR 3 - UNDETERMINED

EVENTS

OWNER

UNIT # 2 OWNER NAME: LAST, FIRST, MIDDLE (SAME AS DRIVER)
 DICKMAN, DEVIN

OWNER ADDRESS: STREET, CITY, STATE, ZIP (SAME AS DRIVER)
 2201 STONELICK WOODS COURT, BATAVIA, OH, 45103

COMMERCIAL CARRIER: NAME, ADDRESS, CITY, STATE, ZIP

OWNER PHONE: INCLUDE AREA CODE (SAME AS DRIVER)

DAMAGE

DAMAGE SCALE

1 - NONE 3 - FUNCTIONAL DAMAGE
 2 - MINOR DAMAGE 4 - DISABLING DAMAGE
 9 - UNKNOWN

2

VEHICLE

LP STATE LICENSE PLATE # VEHICLE IDENTIFICATION # VEHICLE YEAR VEHICLE MAKE
 1FMCU0G60LUC26009 2020 FORD

INSURANCE VERIFIED INSURANCE COMPANY INSURANCE POLICY # COLOR VEHICLE MODEL
 WHI ESCAPE

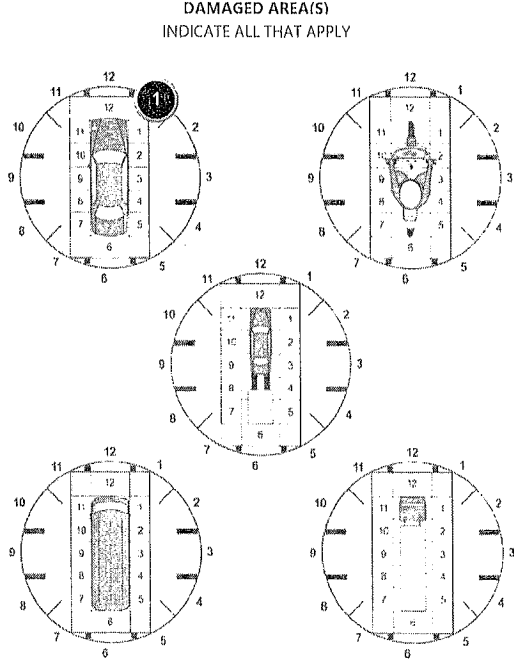
TYPE OF USE US DOT # TOWED BY: COMPANY NAME
 COMMERCIAL GOVERNMENT IN EMERGENCY RESPONSE

INTERLOCK DEVICE EQUIPPED HIT/SKIP UNIT # OCCUPANTS VEHICLE WEIGHT GVWR/GCWR
 1 - ≤10K LBS.
 2 - 10,001 - 26K LBS.
 3 - > 26K LBS.

HAZARDOUS MATERIAL CLASS # PLACARD ID #
 MATERIAL RELEASED PLACARD

UNIT TYPE
 1 - PASSENGER CAR 6 - VAN (9-15 SEATS) 12 - GOLF CART 18 - LIMO (LIVERY VEHICLE) 23 - PEDESTRIAN/SKATER
 2 - PASSENGER VAN (MINIVAN) 7 - MOTORCYCLE 2-WHEELED 13 - SNOWMOBILE 19 - BUS (16+ PASSENGERS) 24 - WHEELCHAIR (ANY TYPE)
 3 - SPORT UTILITY VEHICLE 8 - MOTORCYCLE 3-WHEELED 14 - SINGLE UNIT TRUCK 20 - OTHER VEHICLE 25 - OTHER NON-MOTORIST
 4 - PICK UP 9 - AUTOCYCLE 15 - SEMI-TRACTOR 21 - HEAVY EQUIPMENT 26 - BICYCLE
 5 - CARGO VAN 10 - MOPED OR MOTORIZED BICYCLE 16 - FARM EQUIPMENT 22 - ANIMAL WITH RIDER OR ANIMAL-DRAWN VEHICLE 27 - TRAIN
 11 - ALL TERRAIN VEHICLE (ATV/UTV) 17 - MOTORHOME 99 - UNKNOWN OR HIT/SKIP

OF TRAILING UNITS



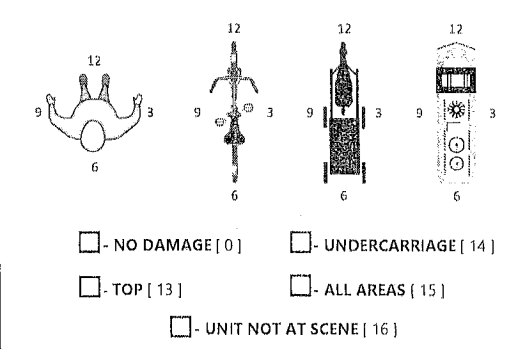
WAS VEHICLE OPERATING IN AUTONOMOUS MODE WHEN CRASH OCCURRED?
 0 - NO AUTOMATION 3 - CONDITIONAL AUTOMATION 9 - UNKNOWN
 1 - DRIVER ASSISTANCE 4 - HIGH AUTOMATION

2 1 - YES 2 - NO 9 - OTHER / UNKNOWN AUTONOMOUS MODE LEVEL 2 - PARTIAL AUTOMATION 5 - FULL AUTOMATION

SPECIAL FUNCTION
 1 - NONE 6 - BUS - CHARTER/TOUR 11 - FIRE 16 - FARM 21 - MAIL CARRIER
 2 - TAXI 7 - BUS - INTERCITY 12 - MILITARY 17 - MOWING 99 - OTHER / UNKNOWN
 3 - ELECTRONIC RIDE SHARING 8 - BUS - SHUTTLE 13 - POLICE 18 - SNOW REMOVAL
 4 - SCHOOL TRANSPORT 9 - BUS - OTHER 14 - PUBLIC UTILITY 19 - TOWING
 5 - BUS - TRANSIT/COMMUTER 10 - AMBULANCE 15 - CONSTRUCTION EQUIP. 20 - SAFETY SERVICE PATROL

CARGO BODY TYPE
 1 - NO CARGO BODY TYPE / NOT APPLICABLE 4 - LOGGING 7 - GRAIN/CHIPS/GRAVEL 11 - DUMP 99 - OTHER / UNKNOWN
 2 - BUS 5 - INTERMODAL CONTAINER CHASSIS 8 - POLE 12 - CONCRETE MIXER
 3 - VEHICLE TOWING ANOTHER MOTOR VEHICLE 6 - CARGOVAN /ENCLOSED BOX 9 - CARGO TANK 13 - AUTO TRANSPORTER
 10 - FLAT BED 14 - GARBAGE/REFUSE

VEHICLE DEFECTS
 1 - TURN SIGNALS 4 - BRAKES 7 - WORN OR SLICK TIRES 9 - MOTOR TROUBLE 99 - OTHER / UNKNOWN
 2 - HEAD LAMPS 5 - STEERING 8 - TRAILER EQUIPMENT DEFECTIVE 10 - DISABLED FROM PRIOR ACCIDENT
 3 - TAIL LAMPS 6 - TIRE BLOWOUT



NON-MOTORIST LOCATION
 1 - INTERSECTION - MARKED CROSSWALK 4 - MIDBLOCK - MARKED CROSSWALK 7 - SHOULDER/ROADSIDE 10 - DRIVEWAY ACCESS 99 - OTHER / UNKNOWN
 2 - INTERSECTION - UNMARKED CROSSWALK 5 - TRAVEL LANE - OTHER LOCATION 8 - SIDEWALK 11 - SHARED USE PATHS OR TRAILS
 3 - INTERSECTION - OTHER 6 - BICYCLE LANE 9 - MEDIA/CROSSING ISLAND 12 - FIRST RESPONDER AT INCIDENT SCENE

ACTION
 1 - NON-CONTACT 1 - STRAIGHT AHEAD 9 - LEAVING TRAFFIC LANE 15 - WALKING, RUNNING, JOGGING, PLAYING 21 - STANDING OUTSIDE DISABLED VEHICLE
 2 - NON-COLLISION 2 - BACKING 10 - PARKED 16 - WORKING 99 - OTHER / UNKNOWN
 3 - STRIKING 3 - CHANGING LANES 11 - SLOWING OR STOPPED IN TRAFFIC 17 - PUSHING VEHICLE OR TRAILS
 4 - STRUCK 4 - OVERTAKING/PASSING 12 - DRIVERLESS 18 - APPROACHING OR LEAVING VEHICLE
 5 - BOTH STRIKING & STRUCK 5 - MAKING RIGHT TURN 13 - NEGOTIATING A CURVE 19 - STANDING
 6 - IMPROPER TURN 8 - ENTERING TRAFFIC LANE 14 - ENTERING OR CROSSING SPECIFIED LOCATION 20 - OTHER NON-MOTORIST
 9 - OTHER / UNKNOWN 9 - ENTERING TRAFFIC LANE

INITIAL POINT OF CONTACT
 0 - NO DAMAGE 14 - UNDERCARRIAGE
 11 1-12 - REFER TO UNIT DIAGRAM 15 - VEHICLE NOT AT SCENE
 99 - UNKNOWN
 13 - TOP

CONTRIBUTING CIRCUMSTANCES
 1 - NONE 8 - FOLLOWING TOO CLOSE /ACDA 13 - IMPROPER START FROM A PARKED POSITION 18 - OPERATING DEFECTIVE EQUIPMENT 23 - OPENING DOOR INTO ROADWAY
 2 - FAILURE TO YIELD 9 - IMPROPER LANE CHANGE 14 - STOPPED OR PARKED ILLEGALLY 19 - LOAD SHIFTING /FALLING/SPILLING 99 - OTHER IMPROPER ACTION
 3 - RAN RED LIGHT 10 - IMPROPER PASSING 15 - SWERVING TO AVOID 20 - IMPROPER CROSSING
 4 - RAN STOP SIGN 11 - DROVE OFF ROAD 16 - WRONG WAY 21 - LYING IN ROADWAY
 5 - UNSAFE SPEED 12 - IMPROPER BACKING 17 - VISION OBSTRUCTION 22 - NOT DISCERNIBLE
 6 - IMPROPER TURN 7 - LEFT OF CENTER

TRAFFIC

TRAFFICWAY FLOW
 1 - ONE-WAY
 2 - TWO-WAY

TRAFFIC CONTROL
 1 - ROUNDABOUT 4 - STOP SIGN
 2 - SIGNAL 5 - YIELD SIGN
 3 - FLASHER 6 - NO CONTROL

OF THROUGH LANES ON ROAD 2

RAIL GRADE CROSSING
 1 - NOT INVOLVED
 2 - INVOLVED-ACTIVE CROSSING
 3 - INVOLVED-PASSIVE CROSSING

EVENTS

SEQUENCE OF EVENTS
 1 20 1 - OVERTURN/ROLLOVER 7 - SEPARATION OF UNITS 12 - DOWNHILL RUNAWAY 19 - ANIMAL - OTHER 23 - STRUCK BY FALLING, SHIFTING CARGO OR ANYTHING SET IN MOTION BY A MOTOR VEHICLE
 2 2 - FIRE/EXPLOSION 8 - RAN OFF ROAD RIGHT 13 - OTHER NON-COLLISION 20 - MOTOR VEHICLE IN TRANSPORT 24 - OTHER MOVABLE OBJECT
 3 3 - IMMERSION 9 - RAN OFF ROAD LEFT 14 - PEDESTRIAN 21 - PARKED MOTOR VEHICLE
 4 4 - JACKKNIFE 10 - CROSS MEDIAN 15 - PEDALCYCLE 22 - WORK ZONE MAINTENANCE EQUIPMENT
 5 5 - CARGO /EQUIPMENT LOSS OR SHIFT 11 - CROSS CENTERLINE - OPPOSITE DIRECTION OF TRAVEL 16 - RAILWAY VEHICLE
 6 6 - EQUIPMENT FAILURE 17 - ANIMAL - FARM 18 - ANIMAL - DEER

COLLISION WITH FIXED OBJECT - STRUCK
 25 - IMPACT ATTENUATOR / CRASH CUSHION 31 - GUARDRAIL END 38 - OVERHEAD SIGN POST 45 - EMBANKMENT 52 - BUILDING
 26 - BRIDGE OVERHEAD STRUCTURE 32 - PORTABLE BARRIER 39 - LIGHT / LUMINARIES SUPPORT 46 - FENCE 53 - TUNNEL
 27 - BRIDGE PIER OR ABUTMENT 33 - MEDIAN CABLE BARRIER 40 - UTILITY POLE 47 - MAILBOX 54 - OTHER FIXED OBJECT
 28 - BRIDGE PARAPET 34 - MEDIAN GUARDRAIL BARRIER 41 - OTHER POST, POLE OR SUPPORT 48 - TREE 99 - OTHER / UNKNOWN
 29 - BRIDGE RAIL 35 - MEDIAN CONCRETE BARRIER 42 - CULVERT 49 - FIRE HYDRANT 50 - WORK ZONE MAINTENANCE EQUIPMENT
 30 - GUARDRAIL FACE 36 - MEDIAN OTHER BARRIER 43 - CURB 51 - WALL

1 FIRST HARMFUL EVENT 1 MOST HARMFUL EVENT

UNIT / NON-MOTORIST DIRECTION
 FROM 1 TO 2

1 - NORTH 5 - NORTHEAST
 2 - SOUTH 6 - NORTHWEST
 3 - EAST 7 - SOUTHEAST
 4 - WEST 8 - SOUTHWEST
 9 - OTHER / UNKNOWN

UNIT SPEED 0

POSTED SPEED 10

DETECTED SPEED
 1 - STATED / ESTIMATED SPEED
1 2 - CALCULATED / EDR
 3 - UNDETERMINED



MOTORIST / Non-MOTORIST

LOCAL REPORT NUMBER

000210031523

| | | | | | | | | | | |
|---|---|----------------------------|---|--|--|---|-----------------------|--------------------|-----------------|------------------------|
| UNIT # 1 | NAME: LAST, FIRST, MIDDLE UNKNOWN, UNKNOWN | | | | DATE OF BIRTH | | AGE | GENDER | | |
| ADDRESS: STREET, CITY, STATE, ZIP , OH | | | | | CONTACT PHONE - INCLUDE AREA CODE | | | | | |
| INJURIES 5 | INJURED TAKEN BY 1 | EMS AGENCY (NAME) | INJURED TAKEN TO: MEDICAL FACILITY (NAME, CITY) | | SAFETY EQUIPMENT USED 99 | <input type="checkbox"/> DOT-COMPLIANT <input checked="" type="checkbox"/> MC HELMET | SEATING POSITION 1 | AIR BAG USAGE 9 | EJECTION 1 | TRAPPED 1 |
| OL STATE | OPERATOR LICENSE NUMBER | | OFFENSE CHARGED | | LOCAL CODE <input type="checkbox"/> | OFFENSE DESCRIPTION | | | CITATION NUMBER | |
| OL CLASS | ENDORSEMENT | RESTRICTION SELECT UP TO 3 | DRIVER DISTRACTED BY 9 | ALCOHOL / DRUG SUSPECTED <input type="checkbox"/> ALCOHOL <input type="checkbox"/> MARIJUANA <input type="checkbox"/> OTHER DRUG | | CONDITION 9 | ALCOHOL TEST | | DRUG TEST(S) | |
| | | | | | | STATUS | | TYPE | | RESULTS SELECT UP TO 4 |
| | | | | | | 1 | | 1 | | 1 |

| | | | | | | | | | | |
|-----------------------------------|---------------------------|----------------------------|---|--|--|--|------------------|---------------|-----------------|------------------------|
| UNIT # | NAME: LAST, FIRST, MIDDLE | | | | DATE OF BIRTH | | AGE | GENDER | | |
| ADDRESS: STREET, CITY, STATE, ZIP | | | | | CONTACT PHONE - INCLUDE AREA CODE | | | | | |
| INJURIES | INJURED TAKEN BY | EMS AGENCY (NAME) | INJURED TAKEN TO: MEDICAL FACILITY (NAME, CITY) | | SAFETY EQUIPMENT USED | <input type="checkbox"/> DOT-COMPLIANT <input type="checkbox"/> MC HELMET | SEATING POSITION | AIR BAG USAGE | EJECTION | TRAPPED |
| OL STATE | OPERATOR LICENSE NUMBER | | OFFENSE CHARGED | | LOCAL CODE <input type="checkbox"/> | OFFENSE DESCRIPTION | | | CITATION NUMBER | |
| OL CLASS | ENDORSEMENT | RESTRICTION SELECT UP TO 3 | DRIVER DISTRACTED BY | ALCOHOL / DRUG SUSPECTED <input type="checkbox"/> ALCOHOL <input type="checkbox"/> MARIJUANA <input type="checkbox"/> OTHER DRUG | | CONDITION | ALCOHOL TEST | | DRUG TEST(S) | |
| | | | | | | STATUS | | TYPE | | RESULTS SELECT UP TO 4 |
| | | | | | | 1 | | 1 | | 1 |

| | | | | | | | | | | |
|-----------------------------------|---------------------------|----------------------------|---|--|--|--|------------------|---------------|-----------------|------------------------|
| UNIT # | NAME: LAST, FIRST, MIDDLE | | | | DATE OF BIRTH | | AGE | GENDER | | |
| ADDRESS: STREET, CITY, STATE, ZIP | | | | | CONTACT PHONE - INCLUDE AREA CODE | | | | | |
| INJURIES | INJURED TAKEN BY | EMS AGENCY (NAME) | INJURED TAKEN TO: MEDICAL FACILITY (NAME, CITY) | | SAFETY EQUIPMENT USED | <input type="checkbox"/> DOT-COMPLIANT <input type="checkbox"/> MC HELMET | SEATING POSITION | AIR BAG USAGE | EJECTION | TRAPPED |
| OL STATE | OPERATOR LICENSE NUMBER | | OFFENSE CHARGED | | LOCAL CODE <input type="checkbox"/> | OFFENSE DESCRIPTION | | | CITATION NUMBER | |
| OL CLASS | ENDORSEMENT | RESTRICTION SELECT UP TO 3 | DRIVER DISTRACTED BY | ALCOHOL / DRUG SUSPECTED <input type="checkbox"/> ALCOHOL <input type="checkbox"/> MARIJUANA <input type="checkbox"/> OTHER DRUG | | CONDITION | ALCOHOL TEST | | DRUG TEST(S) | |
| | | | | | | STATUS | | TYPE | | RESULTS SELECT UP TO 4 |
| | | | | | | 1 | | 1 | | 1 |

| | | | | | | |
|--|---|---|---|---|--|--|
| INJURIES | SEATING POSITION | AIR BAG | OL CLASS | OL RESTRICTION(S) | DRIVER DISTRACTION | TEST STATUS |
| 1 - FATAL 2 - SUSPECTED SERIOUS INJURY 3 - SUSPECTED MINOR INJURY 4 - POSSIBLE INJURY 5 - NO APPARENT INJURY | 1 - FRONT - LEFT SIDE (MOTORCYCLE DRIVER) 2 - FRONT - MIDDLE 3 - FRONT - RIGHT SIDE 4 - SECOND - LEFT SIDE (MOTORCYCLE PASSENGER) 5 - SECOND - MIDDLE 6 - SECOND - RIGHT SIDE 7 - THIRD - LEFT SIDE (MOTORCYCLE SIDE CAR) 8 - THIRD - MIDDLE 9 - THIRD - RIGHT SIDE 10 - SLEEPER SECTION OF TRUCK CAB 11 - PASSENGER IN OTHER ENCLOSED CARGO AREA (NON-TRAILING UNIT, BUS, PICK-UP WITH CAP) 12 - PASSENGER IN UNENCLOSED CARGO AREA 13 - TRAILING UNIT 14 - RIDING ON VEHICLE EXTERIOR (NON-TRAILING UNIT) 15 - NON-MOTORIST 99 - OTHER / UNKNOWN | 1 - NOT DEPLOYED 2 - DEPLOYED FRONT 3 - DEPLOYED SIDE 4 - DEPLOYED BOTH FRONT/SIDE 5 - NOT APPLICABLE 9 - DEPLOYMENT UNKNOWN | 1 - CLASS A 2 - CLASS B 3 - CLASS C 4 - REGULAR CLASS (OHIO = D) 5 - M/C MOPED ONLY 6 - NO VALID OL | 1 - ALCOHOL INTERLOCK DEVICE 2 - CDL INTRASTATE ONLY 3 - CORRECTIVE LENSES 4 - FARM WAIVER 5 - EXCEPT CLASS A BUS & CLASS B BUS 6 - EXCEPT CLASS A 7 - EXCEPT TRACTOR-TRAILER 8 - INTERMEDIATE LICENSE RESTRICTIONS 9 - LEARNER'S PERMIT RESTRICTIONS 10 - LIMITED TO DAYLIGHT ONLY 11 - LIMITED TO EMPLOYMENT 12 - LIMITED - OTHER 13 - MECHANICAL DEVICES (SPECIAL BRAKES, HAND CONTROLS, OR OTHER ADAPTIVE DEVICES) 14 - MILITARY VEHICLES ONLY 15 - MOTOR VEHICLES WITHOUT AIR BRAKES 16 - OUTSIDE MIRROR 17 - PROSTHETIC AID 18 - OTHER | 1 - NOT DISTRACTED 2 - MANUALLY OPERATING AN ELECTRONIC COMMUNICATION DEVICE (TEXTING, TYPING, DIALING) 3 - TALKING ON HANDS-FREE COMMUNICATION DEVICE 4 - TALKING ON HAND-HELD COMMUNICATION DEVICE 5 - OTHER ACTIVITY WITH AN ELECTRONIC DEVICE 6 - PASSENGER 7 - OTHER DISTRACTION INSIDE THE VEHICLE 8 - OTHER DISTRACTION OUTSIDE THE VEHICLE 9 - OTHER / UNKNOWN | 1 - NONE GIVEN 2 - TEST REFUSED 3 - TEST GIVEN, CONTAMINATED SAMPLE / UNUSABLE 4 - TEST GIVEN, RESULTS KNOWN 5 - TEST GIVEN, RESULTS UNKNOWN |
| INJURIES TAKEN BY | SAFETY EQUIPMENT | EJECTION | OL ENDORSEMENT | CONDITION | ALCOHOL TEST TYPE | DRUG TEST TYPE |
| 1 - NOT TRANSPORTED /TREATED AT SCENE 2 - EMS 3 - POLICE 9 - OTHER / UNKNOWN | 1 - NONE USED 2 - SHOULDER BELT ONLY USED 3 - LAP BELT ONLY USED 4 - SHOULDER & LAP BELT USED 5 - CHILD RESTRAINT SYSTEM - FORWARD FACING 6 - CHILD RESTRAINT SYSTEM - REAR FACING 7 - BOOSTER SEAT 8 - HELMET USED 9 - PROTECTIVE PADS USED (ELBOWS, KNEES, ETC) 10 - REFLECTIVE CLOTHING 11 - LIGHTING - PEDESTRIAN / BICYCLE ONLY 99 - OTHER / UNKNOWN | 1 - NOT EJECTED 2 - PARTIALLY EJECTED 3 - TOTALLY EJECTED 4 - NOT APPLICABLE | H - HAZMAT M - MOTORCYCLE P - PASSENGER N - TANKER Q - MOTOR SCOOTER R - THREE-WHEEL MOTORCYCLE S - SCHOOL BUS T - DOUBLE & TRIPLE TRAILERS X - TANKER / HAZMAT | 1 - APPARENTLY NORMAL 2 - PHYSICAL IMPAIRMENT 3 - EMOTIONAL (E.G., DEPRESSED, ANGRY, DISTURBED) 4 - ILLNESS 5 - FELL ASLEEP, FAINTED, FATIGUED, ETC. 6 - UNDER THE INFLUENCE OF MEDICATIONS / DRUGS / ALCOHOL 9 - OTHER / UNKNOWN | 1 - NONE 2 - BLOOD 3 - URINE 4 - BREATH 5 - OTHER | 1 - NONE 2 - BLOOD 3 - URINE 4 - OTHER |
| TRAPPED | DRUG TEST RESULT(S) | GENDER | | | | |
| 1 - NOT TRAPPED 2 - EXTRICATED BY MECHANICAL MEANS 3 - FREED BY NON-MECHANICAL MEANS | 1 - AMPHETAMINES 2 - BARBITURATES 3 - BENZODIAZEPINES 4 - CANNABINOIDS 5 - COCAINE 6 - OPIATES / OPIOIDS 7 - OTHER 8 - NEGATIVE RESULTS | F - FEMALE M - MALE U - OTHER / UNKNOWN | | | | |

OCCUPANT / WITNESS ADDENDUM

LOCAL REPORT NUMBER
 000210031523

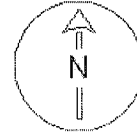
| | | | | | | | | | |
|-----------------|-----------------------------------|---------------------------|-------------------|---|-----------------------------------|--|------------------|---------------|----------|
| OCCUPANT | UNIT # | NAME: LAST, FIRST, MIDDLE | | | DATE OF BIRTH | AGE | GENDER | | |
| | ADDRESS: STREET, CITY, STATE, ZIP | | | | CONTACT PHONE - INCLUDE AREA CODE | | | | |
| | INJURIES | INJURED TAKEN BY | EMS AGENCY (NAME) | INJURED TAKEN TO: MEDICAL FACILITY (NAME, CITY) | SAFETY EQUIPMENT | <input type="checkbox"/> DOT-COMPLIANT MC HELMET | SEATING POSITION | AIR BAG USAGE | EJECTION |
| OCCUPANT | UNIT # | NAME: LAST, FIRST, MIDDLE | | | DATE OF BIRTH | AGE | GENDER | | |
| | ADDRESS: STREET, CITY, STATE, ZIP | | | | CONTACT PHONE - INCLUDE AREA CODE | | | | |
| | INJURIES | INJURED TAKEN BY | EMS AGENCY (NAME) | INJURED TAKEN TO: MEDICAL FACILITY (NAME, CITY) | SAFETY EQUIPMENT | <input type="checkbox"/> DOT-COMPLIANT MC HELMET | SEATING POSITION | AIR BAG USAGE | EJECTION |
| OCCUPANT | UNIT # | NAME: LAST, FIRST, MIDDLE | | | DATE OF BIRTH | AGE | GENDER | | |
| | ADDRESS: STREET, CITY, STATE, ZIP | | | | CONTACT PHONE - INCLUDE AREA CODE | | | | |
| | INJURIES | INJURED TAKEN BY | EMS AGENCY (NAME) | INJURED TAKEN TO: MEDICAL FACILITY (NAME, CITY) | SAFETY EQUIPMENT | <input type="checkbox"/> DOT-COMPLIANT MC HELMET | SEATING POSITION | AIR BAG USAGE | EJECTION |
| OCCUPANT | UNIT # | NAME: LAST, FIRST, MIDDLE | | | DATE OF BIRTH | AGE | GENDER | | |
| | ADDRESS: STREET, CITY, STATE, ZIP | | | | CONTACT PHONE - INCLUDE AREA CODE | | | | |
| | INJURIES | INJURED TAKEN BY | EMS AGENCY (NAME) | INJURED TAKEN TO: MEDICAL FACILITY (NAME, CITY) | SAFETY EQUIPMENT | <input type="checkbox"/> DOT-COMPLIANT MC HELMET | SEATING POSITION | AIR BAG USAGE | EJECTION |

| INJURIES | SAFETY EQUIPMENT USED | SEATING POSITION | AIR BAG USAGE |
|--|---|--|---|
| 1 - FATAL 2 - SUSPECTED SERIOUS INJURY 3 - SUSPECTED MINOR INJURY 4 - POSSIBLE INJURY 5 - NO APPARENT INJURY | 1 - NONE USED - VEHICLE OCCUPANT 2 - SHOULDER BELT ONLY USED 3 - LAP BELT ONLY USED 4 - SHOULDER & LAP BELT USED 5 - CHILD RESTRAINT SYSTEM - FORWARD FACING 6 - CHILD RESTRAINT SYSTEM - REAR FACING 7 - BOOSTER SEAT 8 - HELMET USED 9 - PROTECTIVE PADS USED (ELBOWS, KNEES, ETC) 10 - REFLECTIVE CLOTHING 11 - LIGHTING - PEDESTRIAN / BICYCLE ONLY 99 - OTHER / UNKNOWN | 1 - FRONT - LEFT SIDE (MOTORCYCLE DRIVER) 2 - FRONT - MIDDLE 3 - FRONT - RIGHT SIDE 4 - SECOND - LEFT SIDE (MOTORCYCLE PASSENGER) 5 - SECOND - MIDDLE 6 - SECOND - RIGHT SIDE 7 - THIRD - LEFT SIDE (MOTORCYCLE SIDE CAR) 8 - THIRD - MIDDLE 9 - THIRD - RIGHT SIDE 10 - SLEEPER SECTION OF TRUCK CAB 11 - PASSENGER IN OTHER ENCLOSED CARGO AREA (NON-TRAILING UNIT SUCH AS A BUS, PICK-UP WITH CAP) 12 - PASSENGER IN UNENCLOSED CARGO AREA 13 - TRAILING UNIT 14 - RIDING ON VEHICLE EXTERIOR (NON-TRAILING UNIT) 15 - NON-MOTORIST 99 - OTHER / UNKNOWN | 1 - NOT DEPLOYED 2 - DEPLOYED FRONT 3 - DEPLOYED SIDE 4 - DEPLOYED BOTH FRONT/SIDE 5 - NOT APPLICABLE 9 - DEPLOYMENT UNKNOWN |
| INJURED TAKEN BY | | EJECTION | |
| 1 - NOT TRANSPORTED / TREATED AT SCENE 2 - EMS 3 - POLICE 9 - OTHER / UNKNOWN | | 1 - NOT EJECTED 2 - PARTIALLY EJECTED 3 - TOTALLY EJECTED 4 - NOT APPLICABLE | |
| GENDER | | TRAPPED | |
| F - FEMALE M - MALE U - OTHER / UNKNOWN | | 1 - NOT TRAPPED 2 - EXTRICATED BY MECHANICAL MEANS 3 - FREED BY NON-MECHANICAL MEANS | |

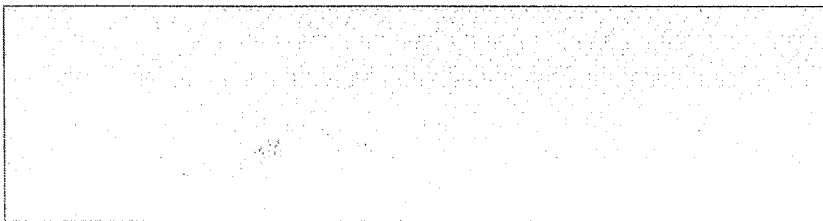
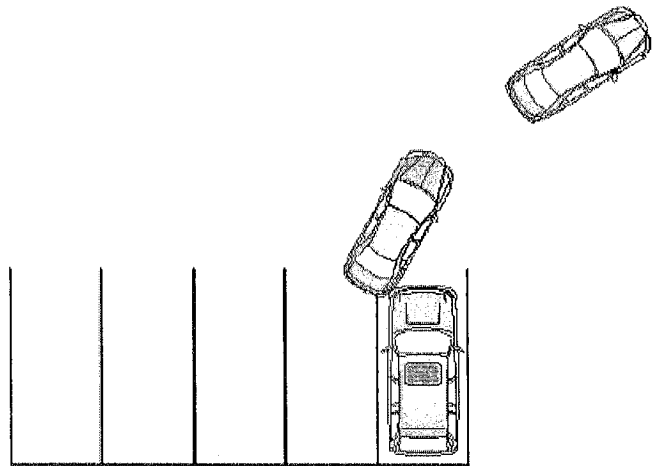
| | | | | |
|----------------|-----------------------------------|-----------------------------------|-----|--------|
| WITNESS | NAME: LAST, FIRST, MIDDLE | DATE OF BIRTH | AGE | GENDER |
| | ADDRESS: STREET, CITY, STATE, ZIP | CONTACT PHONE - INCLUDE AREA CODE | | |
| WITNESS | NAME: LAST, FIRST, MIDDLE | DATE OF BIRTH | AGE | GENDER |
| | ADDRESS: STREET, CITY, STATE, ZIP | CONTACT PHONE - INCLUDE AREA CODE | | |
| WITNESS | NAME: LAST, FIRST, MIDDLE | DATE OF BIRTH | AGE | GENDER |
| | ADDRESS: STREET, CITY, STATE, ZIP | CONTACT PHONE - INCLUDE AREA CODE | | |

OHIO TRAFFIC ACCIDENT - OH2 DIAGRAM

| | | |
|--|--|------------------------------------|
| LOCAL REPORT NUMBER 000210031523 | REPORTING AGENCY Clermont County Sheriff | Date Of Crash 09/07/2021 |
| IN COUNTY OF Clermont County | ACCIDENT LOCATION Stonelick Woods | |



Not To Scale



Building 22 at Stonelick Woods Court.

| | |
|--------------------|---------------------------|
| OFFICERS SIGNATURE | BADGE NO. R3052 |
|--------------------|---------------------------|