

TRAFFIC CRASH REPORT

*DENOTES MANDATORY FIELD FOR SUPPLEMENT REPORT

LOCAL REPORT NUMBER *

000210031822

<input checked="" type="checkbox"/> PHOTOS TAKEN	<input checked="" type="checkbox"/> OH-2	<input type="checkbox"/> OH-3	LOCAL INFORMATION
<input type="checkbox"/> SECONDARY CRASH	<input type="checkbox"/> OH-1P	<input type="checkbox"/> OTHER	REPORTING AGENCY NAME * Clermont County Sheriff
	<input type="checkbox"/> PRIVATE PROPERTY		NCIC * 01300

HIT/SKIP 1 - SOLVED 2 - UNSOLVED	NUMBER OF UNITS 2	UNIT IN ERROR 1 98 - ANIMAL 1 99 - UNKNOWN
--	----------------------	--

COUNTY* 13	LOCALITY* 3 1 - CITY 2 - VILLAGE 3 - TOWNSHIP	LOCATION: CITY, VILLAGE, TOWNSHIP* Monroe (Township of)	CRASH DATE / TIME* 09/09/2021 18:00	CRASH SEVERITY 5 1 - FATAL 2 - SERIOUS INJURY SUSPECTED 3 - MINOR INJURY SUSPECTED 4 - INJURY POSSIBLE 5 - PROPERTY DAMAGE ONLY
---------------	--	--	--	--

ROUTE TYPE SR	ROUTE NUMBER 125	PREFIX 1 - NORTH 2 - SOUTH 3 - EAST 4 - WEST	LOCATION ROAD NAME	ROAD TYPE	LATITUDE DECIMAL DEGREES 39.006159
ROUTE TYPE	ROUTE NUMBER	PREFIX 1 - NORTH 2 - SOUTH 3 - EAST 4 - WEST	REFERENCE ROAD NAME (ROAD, MILEPOST, HOUSE #) MARSHAL	ROAD TYPE RD	LONGITUDE DECIMAL DEGREES -84.160710

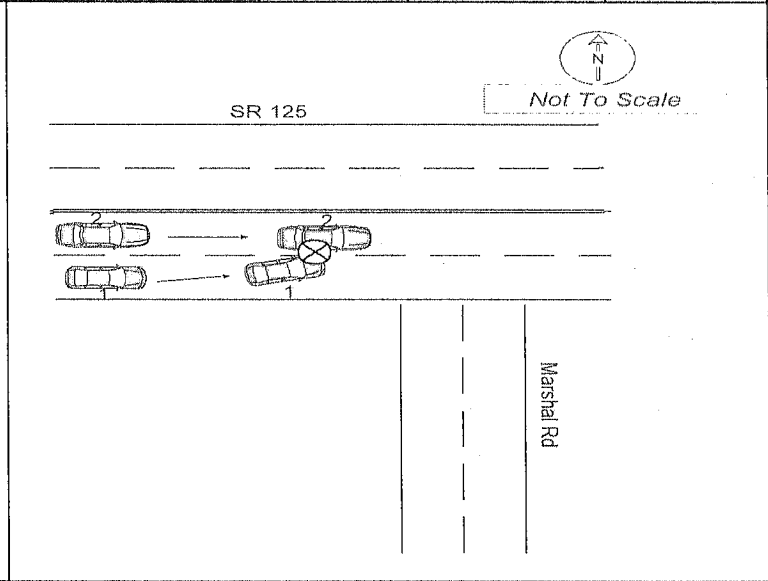
REFERENCE POINT 1 - INTERSECTION 2 - MILE POST 3 - HOUSE #	DIRECTION FROM REFERENCE 1 - NORTH 2 - SOUTH 3 - EAST 4 - WEST	ROUTE TYPE IR - INTERSTATE ROUTE (TP) US - FEDERAL US ROUTE SR - STATE ROUTE CR - NUMBERED COUNTY ROUTE TR - NUMBERED TOWNSHIP ROUTE	ROAD TYPE AL - ALLEY AV - AVENUE BL - BOULEVARD CR - CIRCLE CT - COURT DR - DRIVE HE - HEIGHTS	ROAD TYPE HW - HIGHWAY LA - LANE MP - MILEPOST OV - OVAL PK - PARKWAY PI - PIKE PL - PLACE	RD - ROAD SQ - SQUARE ST - STREET TE - TERRACE TL - TRAIL WA - WAY	INTERSECTION RELATED <input type="checkbox"/> WITHIN INTERSECTION OR ON APPROACH <input type="checkbox"/> WITHIN INTERCHANGE AREA	NUMBER OF APPROACHES
DISTANCE FROM REFERENCE 0.00	DISTANCE UNIT OF MEASURE 1 - MILES 2 - FEET 3 - YARDS					ROADWAY <input checked="" type="checkbox"/> ROADWAY DIVIDED	

LOCATION OF FIRST HARMFUL EVENT 1 - ON ROADWAY 2 - ON SHOULDER 3 - IN MEDIAN 4 - ON ROADSIDE 5 - ON GORE 6 - OUTSIDE TRAFFIC WAY 7 - ON RAMP 8 - OFF RAMP	9 - CROSSOVER 10 - DRIVEWAY/ALLEY ACCESS 11 - RAILWAY GRADE CROSSING 12 - SHARED USE PATHS OR TRAILS 13 - BIKE LANE 14 - TOLL BOOTH 19 - OTHER / UNKNOWN	MANNER OF CRASH COLLISION/IMPACT 7 1 - NOT COLLISION BETWEEN TWO MOTOR VEHICLES IN TRANSPORT 2 - REAR-END 3 - HEAD-ON 4 - REAR-TO-REAR 5 - BACKING 6 - ANGLE 7 - SIDESWIPE, SAME DIRECTION 8 - SIDESWIPE, OPPOSITE DIRECTION 9 - OTHER / UNKNOWN	DIRECTION OF TRAVEL 3 1 - NORTH 2 - SOUTH 3 - EAST 4 - WEST	MEDIAN TYPE 1 1 - DIVIDED FLUSH MEDIAN (<4 FEET) 2 - DIVIDED FLUSH MEDIAN (≥4 FEET) 3 - DIVIDED, DEPRESSED MEDIAN 4 - DIVIDED, RAISED MEDIAN (ANY TYPE) 9 - OTHER / UNKNOWN
---	--	---	---	--

<input type="checkbox"/> WORK ZONE RELATED <input type="checkbox"/> WORKERS PRESENT <input type="checkbox"/> LAW ENFORCEMENT PRESENT <input type="checkbox"/> ACTIVE SCHOOL ZONE	WORK ZONE TYPE 1 - LANE CLOSURE 2 - LANE SHIFT/ CROSSOVER 3 - WORK ON SHOULDER OR MEDIAN 4 - INTERMITTENT OR MOVING WORK 5 - OTHER	LOCATION OF CRASH IN WORK ZONE 1 - BEFORE THE 1ST WORK ZONE WARNING SIGN 2 - ADVANCE WARNING AREA 3 - TRANSITION AREA 4 - ACTIVITY AREA 5 - TERMINATION AREA	CONTOUR 1 1 - STRAIGHT LEVEL 2 - STRAIGHT GRADE 3 - CURVE LEVEL 4 - CURVE GRADE 9 - OTHER /UNKNOWN	CONDITIONS 1 1 - DRY 2 - WET 3 - SNOW 4 - ICE 5 - SAND, MUD, DIRT, OIL, GRAVEL 6 - WATER (STANDING, MOVING) 7 - SLUSH 9 - OTHER / UNKNOWN	SURFACE 2 1 - CONCRETE 2 - BLACKTOP, BITUMINOUS, ASPHALT 3 - BRICK/BLOCK 4 - SLAG, GRAVEL, STONE 5 - DIRT 9 - OTHER / UNKNOWN
---	---	---	---	---	---

LIGHT CONDITION 1 1 - DAYLIGHT 2 - DAWN/DUSK 3 - DARK - LIGHTED ROADWAY 4 - DARK - ROADWAY NOT LIGHTED 5 - DARK - UNKNOWN ROADWAY LIGHTING 9 - OTHER / UNKNOWN	WEATHER 1 1 - CLEAR 2 - CLOUDY 3 - FOG, SMOG, SMOKE 4 - RAIN 5 - SLEET, HAIL 6 - SNOW 7 - SEVERE CROSSWINDS 8 - BLOWING SAND, SOIL, DIRT, SNOW 9 - FREEZING RAIN OR FREEZING DRIZZLE 99 - OTHER / UNKNOWN
--	---

NARRATIVE
On 9.9.2021 I was dispatched to 2277 SR 125 for a MVA with no injuries. Upon arrival I made contact with Morgan Huddleston who advised she was in the fast lane heading east on SR 125 passing Marshal Rd. when she attempted to pass another car. Morgan got into the slow lane then attempted to overtake the car in the fast lane. She was not able to make this and made contact with the passenger side of the vehicle in the fast lane. Morgan was cited for mark lanes violation.



CRASH REPORTED DATE / TIME 09/09/2021 18:19	DISPATCH DATE / TIME 09/09/2021 18:19	ARRIVAL DATE / TIME 09/09/2021 18:33	SCENE CLEARED DATE / TIME 09/09/2021 19:37	REPORT TAKEN BY <input checked="" type="checkbox"/> POLICE AGENCY <input type="checkbox"/> MOTORIST
TOTAL TIME ROADWAY CLOSED	OTHER INVESTIGATION TIME	TOTAL MINUTES 78	OFFICER'S NAME* Dep Dales	CHECKED BY OFFICER'S NAME* Rudd, Jeffrey
			OFFICER'S BADGE NUMBER* 12706	CHECKED BY OFFICER'S BADGE NUMBER* R3052

SUPPLEMENT (CORRECTION OR ADDITION TO AN EXISTING REPORT SENT TO ODPSS)

OWNER

UNIT # 1, OWNER NAME: HUDDLESTON, MORGAN, L, OWNER PHONE: [REDACTED], OWNER ADDRESS: 2512 BANTAM RD, BETHEL, OH, 45106, COMMERCIAL CARRIER: [REDACTED], COMMERCIAL CARRIER PHONE: [REDACTED]

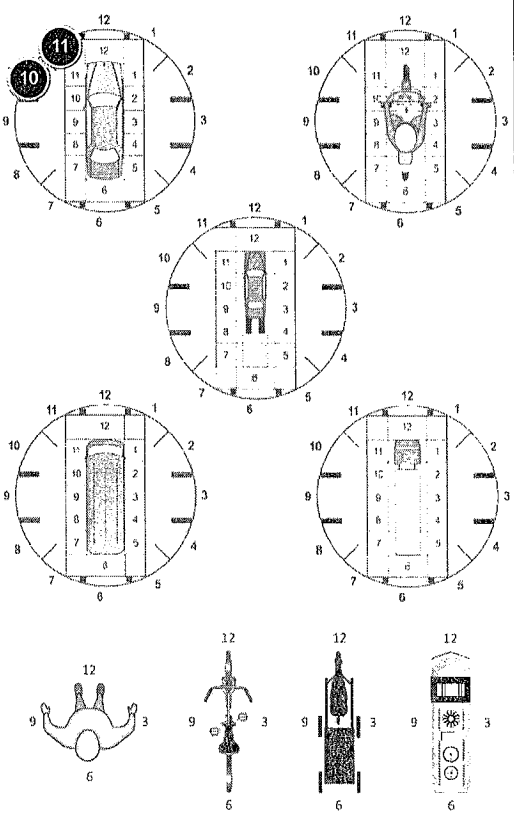
DAMAGE

DAMAGE SCALE

2 NONE, 3 FUNCTIONAL DAMAGE, 4 MINOR DAMAGE, 5 DISABLING DAMAGE, 9 UNKNOWN

DAMAGED AREA(S)

INDICATE ALL THAT APPLY



VEHICLE

LP STATE OH, LICENSE PLATE # HUH8536, VEHICLE IDENTIFICATION # 5YFBURHE9GP426853, VEHICLE YEAR 2016, VEHICLE MAKE TOYOTA, VEHICLE MODEL COROLLA, INSURANCE COMPANY ALLSTATE, POLICY # 826255016, COLOR BLK, TYPE OF USE [REDACTED], US DOT # [REDACTED], TOWED BY: [REDACTED], HAZARDOUS MATERIAL [REDACTED], VEHICLE WEIGHT GVWR/GCWR [REDACTED], # OCCUPANTS 0

UNIT TYPE 1, # OF TRAILING UNITS 0, WAS VEHICLE OPERATING IN AUTONOMOUS MODE WHEN CRASH OCCURRED? 2, AUTONOMOUS MODE LEVEL 0

SPECIAL FUNCTION 1, CARGO BODY TYPE 1, VEHICLE DEFECTS 99

EVENTS

NON-MOTORIST LOCATION 2, ACTION 3, PRE-CRASH ACTIONS 4

CONTRIBUTING CIRCUMSTANCES 9, SEQUENCE OF EVENTS 1, 2, 3, 4, 5, 6

EVENTS 1, 2, 3, 4, 5, 6, 7, 8, 9, 10, 11, 12, 13, 14, 15, 16, 17, 18, 19, 20, 21, 22, 23

TRAFFICWAY FLOW 2, TRAFFIC CONTROL 6, # OF THROUGH LANES ON ROAD 4, RAIL GRADE CROSSING 1

UNIT / NON-MOTORIST DIRECTION FROM 4 TO 3

UNIT SPEED 55, POSTED SPEED 55, DETECTED SPEED 1

NO DAMAGE [0], UNDERCARRIAGE [14], TOP [13], ALL AREAS [15], UNIT NOT AT SCENE [16]

INITIAL POINT OF CONTACT 11, 12- REFER TO UNIT DIAGRAM, 15- VEHICLE NOT AT SCENE, 99- UNKNOWN, 13- TOP

TRAFFICWAY FLOW 2, TRAFFIC CONTROL 6, # OF THROUGH LANES ON ROAD 4, RAIL GRADE CROSSING 1

UNIT / NON-MOTORIST DIRECTION FROM 4 TO 3

UNIT SPEED 55, POSTED SPEED 55, DETECTED SPEED 1

OWNER

UNIT # 2 OWNER NAME: LAST, FIRST, MIDDLE (SAME AS DRIVER)
HOLLAND, MARGOT, LYNN

OWNER ADDRESS: STREET, CITY, STATE, ZIP (SAME AS DRIVER)
3592 BOOTJACK CORNOR RD, WILLIAMSBURG, OH, 45176

COMMERCIAL CARRIER: NAME, ADDRESS, CITY, STATE, ZIP
 COMMERCIAL CARRIER PHONE: INCLUDE AREA CODE

DAMAGE

DAMAGE SCALE

1 - NONE
2 2 - MINOR DAMAGE
 3 - FUNCTIONAL DAMAGE
 4 - DISABLING DAMAGE
 9 - UNKNOWN

VEHICLE

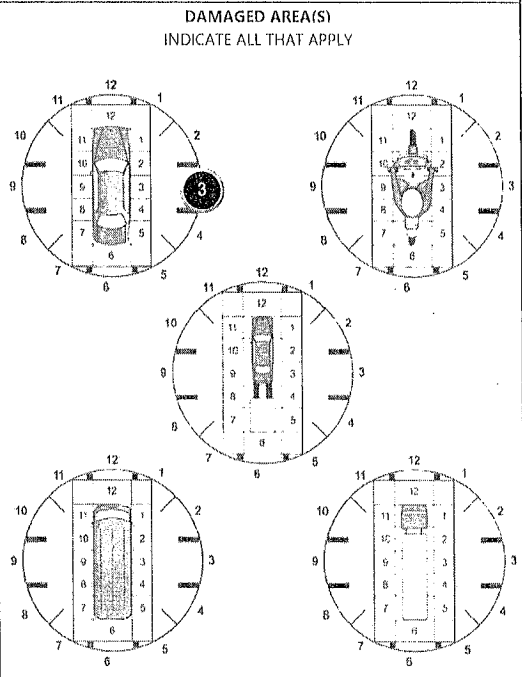
LP STATE OH LICENSE PLATE # JLJ3068 VEHICLE IDENTIFICATION # 2HGFC2F68MH528302 VEHICLE YEAR 2021 VEHICLE MAKE HONDA

INSURANCE VERIFIED INSURANCE COMPANY ALLSTATE INSURANCE POLICY # 992536214 COLOR WHI VEHICLE MODEL CIVIC

COMMERCIAL GOVERNMENT IN EMERGENCY RESPONSE TYPE OF USE US DOT # TOWED BY: COMPANY NAME

INTERLOCK DEVICE EQUIPPED HIT/SKIP UNIT # OCCUPANTS 1 VEHICLE WEIGHT GVWR/GCWR
 1 - ≤ 10K LBS.
 2 - 10,001 - 26K LBS.
 3 - > 26K LBS.

MATERIAL RELEASED PLACARD HAZARDOUS MATERIAL CLASS # PLACARD ID #



UNIT TYPE

1 - PASSENGER CAR
1 2 - PASSENGER VAN (MINIVAN)
 3 - SPORT UTILITY VEHICLE
 4 - PICK UP
 5 - CARGO VAN

6 - VAN (9-15 SEATS)
 7 - MOTORCYCLE 2-WHEELED
 8 - MOTORCYCLE 3-WHEELED
 9 - AUTOCYCLE
 10 - MOPED OR MOTORIZED BICYCLE
 11 - ALL TERRAIN VEHICLE (ATV/UTV)

12 - GOLF CART
 13 - SNOWMOBILE
 14 - SINGLE UNIT TRUCK
 15 - SEMI-TRACTOR
 16 - FARM EQUIPMENT
 17 - MOTORHOME

18 - LIMO (LIVERY VEHICLE)
 19 - BUS (16+ PASSENGERS)
 20 - OTHER VEHICLE
 21 - HEAVY EQUIPMENT
 22 - ANIMAL WITH RIDER OR ANIMAL-DRAWN VEHICLE

23 - PEDESTRIAN/SKATER
 24 - WHEELCHAIR (ANY TYPE)
 25 - OTHER NON-MOTORIST
 26 - BICYCLE
 27 - TRAIN
 99 - UNKNOWN OR HIT/SKIP

OF TRAILING UNITS

WAS VEHICLE OPERATING IN AUTONOMOUS MODE WHEN CRASH OCCURRED?

2 1 - YES 2 - NO 9 - OTHER / UNKNOWN

AUTONOMOUS MODE LEVEL

0 0 - NO AUTOMATION 1 - DRIVER ASSISTANCE 2 - PARTIAL AUTOMATION 3 - CONDITIONAL AUTOMATION 4 - HIGH AUTOMATION 5 - FULL AUTOMATION 9 - UNKNOWN

SPECIAL FUNCTION

1 1 - NONE 2 - TAXI 3 - ELECTRONIC RIDE SHARING 4 - SCHOOL TRANSPORT 5 - BUS - TRANSIT/COMMUTER

6 - BUS - CHARTER/TOUR
 7 - BUS - INTERCITY
 8 - BUS - SHUTTLE
 9 - BUS - OTHER
 10 - AMBULANCE

11 - FIRE
 12 - MILITARY
 13 - POLICE
 14 - PUBLIC UTILITY
 15 - CONSTRUCTION EQUIP.

16 - FARM
 17 - MOWING
 18 - SNOW REMOVAL
 19 - TOWING
 20 - SAFETY SERVICE PATROL

21 - MAIL CARRIER
 99 - OTHER / UNKNOWN

CARGO BODY TYPE

1 1 - NO CARGO BODY TYPE / NOT APPLICABLE 2 - BUS 3 - VEHICLE TOWING ANOTHER MOTOR VEHICLE

4 - LOGGING
 5 - INTERMODAL CONTAINER CHASSIS
 6 - CARGOVAN / ENCLOSED BOX

7 - GRAIN/CHIPS/GRAVEL
 8 - POLE
 9 - CARGO TANK
 10 - FLAT BED

11 - DUMP
 12 - CONCRETE MIXER
 13 - AUTO TRANSPORTER
 14 - GARBAGE/REFUSE

99 - OTHER / UNKNOWN

VEHICLE DEFECTS

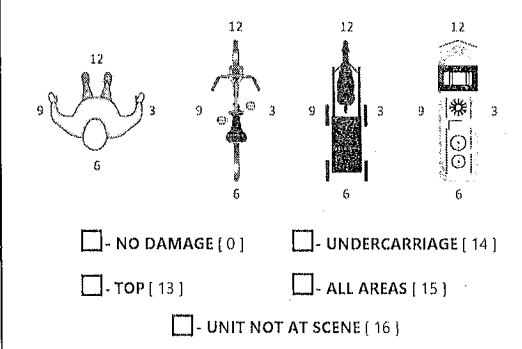
1 1 - TURN SIGNALS 2 - HEAD LAMPS 3 - TAIL LAMPS

4 - BRAKES
 5 - STEERING
 6 - TIRE BLOWOUT

7 - WORN OR SLICK TIRES
 8 - TRAILER EQUIPMENT DEFECTIVE

9 - MOTOR TROUBLE
 10 - DISABLED FROM PRIOR ACCIDENT

99 - OTHER / UNKNOWN



NON-MOTORIST LOCATION

4 1 - INTERSECTION - MARKED CROSSWALK 2 - INTERSECTION - UNMARKED CROSSWALK 3 - INTERSECTION - OTHER

4 - MIDDLEBLOCK - MARKED CROSSWALK
 5 - TRAVEL LANE - OTHER LOCATION
 6 - BICYCLE LANE

7 - SHOULDER/ROADSIDE
 8 - SIDEWALK
 9 - MEDIUM/CROSSING ISLAND

10 - DRIVEWAY ACCESS
 11 - SHARED USE PATHS OR TRAILS
 12 - FIRST RESPONDER AT INCIDENT SCENE

99 - OTHER / UNKNOWN

ACTION

4 1 - NON-COLLISION 2 - NON-COLLISION 3 - STRIKING 4 - STRUCK 5 - BOTH STRIKING & STRUCK 9 - OTHER / UNKNOWN

PRE-CRASH ACTIONS

1 1 - STRAIGHT AHEAD 2 - BACKING 3 - CHANGING LANES 4 - OVERTAKING/PASSING 5 - MAKING RIGHT TURN 6 - MAKING LEFT TURN 7 - MAKING U-TURN 8 - ENTERING TRAFFIC LANE

9 - LEAVING TRAFFIC LANE
 10 - PARKED
 11 - SLOWING OR STOPPED IN TRAFFIC
 12 - DRIVERLESS
 13 - NEGOTIATING A CURVE
 14 - ENTERING OR CROSSING SPECIFIED LOCATION

15 - WALKING, RUNNING, JOGGING, PLAYING
 16 - WORKING
 17 - PUSHING VEHICLE
 18 - APPROACHING OR LEAVING VEHICLE
 19 - STANDING
 20 - OTHER NON-MOTORIST

21 - STANDING OUTSIDE DISABLED VEHICLE
 99 - OTHER / UNKNOWN

INITIAL POINT OF CONTACT

3 0 - NO DAMAGE 1-12 - REFER TO UNIT DIAGRAM 13 - TOP 14 - UNDERCARRIAGE 15 - VEHICLE NOT AT SCENE 99 - UNKNOWN

CONTRIBUTING CIRCUMSTANCES

1 1 - NONE 2 - FAILURE TO YIELD 3 - RAN RED LIGHT 4 - RAN STOP SIGN 5 - UNSAFE SPEED 6 - IMPROPER TURN 7 - LEFT OF CENTER

8 - FOLLOWING TOO CLOSE / JCDA
 9 - IMPROPER LANE CHANGE
 10 - IMPROPER PASSING
 11 - DROVE OFF ROAD
 12 - IMPROPER BACKING

13 - IMPROPER START FROM A PARKED POSITION
 14 - STOPPED OR PARKED ILLEGALLY
 15 - SWERVING TO AVOID
 16 - WRONG WAY
 17 - VISION OBSTRUCTION

18 - OPERATING DEFECTIVE EQUIPMENT
 19 - LOAD SHIFTING / FALLING/SPILLING
 20 - IMPROPER CROSSING
 21 - LYING IN ROADWAY
 22 - NOT DISCERNIBLE

23 - OPENING DOOR INTO ROADWAY
 99 - OTHER IMPROPER ACTION

TRAFFIC

TRAFFICWAY FLOW

2 1 - ONE-WAY 2 - TWO-WAY

TRAFFIC CONTROL

6 1 - ROUNDABOUT 2 - SIGNAL 3 - FLASHER

4 - STOP SIGN
 5 - YIELD SIGN
 6 - NO CONTROL

SEQUENCE OF EVENTS

1 20 1 - OVERTURN/ROLLOVER 2 - FIRE/EXPLOSION 3 - IMMERSION 4 - JACKKNIFE 5 - CARGO / EQUIPMENT LOSS OR SHIFT 6 - EQUIPMENT FAILURE

7 - SEPARATION OF UNITS
 8 - RAN OFF ROAD RIGHT
 9 - RAN OFF ROAD LEFT
 10 - CROSS MEDIAN
 11 - CROSS CENTERLINE - OPPOSITE DIRECTION OF TRAVEL

12 - DOWNHILL RUNAWAY
 13 - OTHER NON-COLLISION
 14 - PEDESTRIAN
 15 - PEDALCYCLE
 16 - RAILWAY VEHICLE
 17 - ANIMAL - FARM
 18 - ANIMAL - DEER

19 - ANIMAL - OTHER
 20 - MOTOR VEHICLE IN TRANSPORT
 21 - PARKED MOTOR VEHICLE
 22 - WORK ZONE MAINTENANCE EQUIPMENT

23 - STRUCK BY FALLING, SHIFTING CARGO OR ANYTHING SET IN MOTION BY A MOTOR VEHICLE
 24 - OTHER MOVABLE OBJECT

OF THROUGH LANES ON ROAD 4

RAIL GRADE CROSSING

1 1 - NOT INVOLVED 2 - INVOLVED-ACTIVE CROSSING 3 - INVOLVED-PASSIVE CROSSING

UNIT / NON-MOTORIST DIRECTION

FROM 4 TO 3

1 - NORTH 2 - SOUTH 3 - EAST 4 - WEST 5 - NORTHEAST 6 - NORTHWEST 7 - SOUTHEAST 8 - SOUTHWEST 9 - OTHER / UNKNOWN

COLLISION WITH FIXED OBJECT - STRUCK

4 25 - IMPACT ATTENUATOR / CRASH CUSHION 26 - BRIDGE OVERHEAD STRUCTURE 27 - BRIDGE PIER OR ABUTMENT 28 - BRIDGE PARAPET 29 - BRIDGE RAIL 30 - GUARDRAIL FACE

31 - GUARDRAIL END
 32 - PORTABLE BARRIER
 33 - MEDIAN CABLE BARRIER
 34 - MEDIAN GUARDRAIL BARRIER
 35 - MEDIAN CONCRETE BARRIER
 36 - MEDIAN OTHER BARRIER
 37 - TRAFFIC SIGN POST

38 - OVERHEAD SIGN POST
 39 - LIGHT / LUMINARIES SUPPORT
 40 - UTILITY POLE
 41 - OTHER POST, POLE OR SUPPORT
 42 - CULVERT
 43 - CURB
 44 - DITCH

45 - EMBANKMENT
 46 - FENCE
 47 - MAILBOX
 48 - TREE
 49 - FIRE HYDRANT
 50 - WORK ZONE MAINTENANCE EQUIPMENT
 51 - WALL

52 - BUILDING
 53 - TUNNEL
 54 - OTHER FIXED OBJECT
 99 - OTHER / UNKNOWN

UNIT SPEED 55 POSTED SPEED 55

DETECTED SPEED

1 1 - STATED / ESTIMATED SPEED 2 - CALCULATED / EDR 3 - UNDETERMINED

1 FIRST HARMFUL EVENT 1 MOST HARMFUL EVENT

EVENTS

MOTORIST / Non-MOTORIST

LOCAL REPORT NUMBER

000210031822

UNIT # 1	NAME: LAST, FIRST, MIDDLE HUDDLESTON, MORGAN, L				DATE OF BIRTH 10/13/1997		AGE 23	GENDER F	
ADDRESS: STREET, CITY, STATE, ZIP 2512 BANTAM RD, BETHEL, OH, 45106					CONTACT PHONE - INCLUDE AREA CODE [REDACTED]				
INJURIES 5	INJURED TAKEN BY 1	EMS AGENCY (NAME)	INJURED TAKEN TO: MEDICAL FACILITY (NAME, CITY)	SAFETY EQUIPMENT USED 4	<input type="checkbox"/> DOT-COMPLIANT <input checked="" type="checkbox"/> MC HELMET	SEATING POSITION 1	AIR BAG USAGE 1	EJECTION 1	TRAPPED 1
OL STATE OH	OPERATOR LICENSE NUMBER [REDACTED]		OFFENSE CHARGED 4511.33	LOCAL CODE <input type="checkbox"/>	OFFENSE DESCRIPTION RULES FOR DRIVING IN MARKED LANE		CITATION NUMBER 01300R12706090920211		
OL CLASS 4	ENDORSEMENT	RESTRICTION SELECT UP TO 3 3	DRIVER DISTRACTED BY 1	ALCOHOL / DRUG SUSPECTED <input type="checkbox"/> ALCOHOL <input type="checkbox"/> MARIJUANA <input type="checkbox"/> OTHER DRUG	CONDITION 1	ALCOHOL TEST STATUS: 1 TYPE: 1 VALUE: .		DRUG TEST(S) STATUS: 1 TYPE: 1 RESULTS SELECT UP TO 4	

UNIT # 2	NAME: LAST, FIRST, MIDDLE HOLLAND, MARGOT, LYNN				DATE OF BIRTH 09/22/2002		AGE 18	GENDER F	
ADDRESS: STREET, CITY, STATE, ZIP 3592 BOOTJACK CORNOR RD, WILLIAMSBURG, OH, 45176					CONTACT PHONE - INCLUDE AREA CODE [REDACTED]				
INJURIES 5	INJURED TAKEN BY 1	EMS AGENCY (NAME)	INJURED TAKEN TO: MEDICAL FACILITY (NAME, CITY)	SAFETY EQUIPMENT USED 4	<input type="checkbox"/> DOT-COMPLIANT <input checked="" type="checkbox"/> MC HELMET	SEATING POSITION 1	AIR BAG USAGE 1	EJECTION 1	TRAPPED 1
OL STATE OH	OPERATOR LICENSE NUMBER [REDACTED]		OFFENSE CHARGED	LOCAL CODE <input type="checkbox"/>	OFFENSE DESCRIPTION		CITATION NUMBER		
OL CLASS 4	ENDORSEMENT	RESTRICTION SELECT UP TO 3 3	DRIVER DISTRACTED BY 1	ALCOHOL / DRUG SUSPECTED <input type="checkbox"/> ALCOHOL <input type="checkbox"/> MARIJUANA <input type="checkbox"/> OTHER DRUG	CONDITION 1	ALCOHOL TEST STATUS: 1 TYPE: 1 VALUE: .		DRUG TEST(S) STATUS: 1 TYPE: 1 RESULTS SELECT UP TO 4	

UNIT #	NAME: LAST, FIRST, MIDDLE				DATE OF BIRTH		AGE	GENDER	
ADDRESS: STREET, CITY, STATE, ZIP					CONTACT PHONE - INCLUDE AREA CODE				
INJURIES	INJURED TAKEN BY	EMS AGENCY (NAME)	INJURED TAKEN TO: MEDICAL FACILITY (NAME, CITY)	SAFETY EQUIPMENT USED	<input type="checkbox"/> DOT-COMPLIANT <input type="checkbox"/> MC HELMET	SEATING POSITION	AIR BAG USAGE	EJECTION	TRAPPED
OL STATE	OPERATOR LICENSE NUMBER		OFFENSE CHARGED	LOCAL CODE <input type="checkbox"/>	OFFENSE DESCRIPTION		CITATION NUMBER		
OL CLASS	ENDORSEMENT	RESTRICTION SELECT UP TO 3	DRIVER DISTRACTED BY	ALCOHOL / DRUG SUSPECTED <input type="checkbox"/> ALCOHOL <input type="checkbox"/> MARIJUANA <input type="checkbox"/> OTHER DRUG	CONDITION	ALCOHOL TEST STATUS: 1 TYPE: 1 VALUE: .		DRUG TEST(S) STATUS: 1 TYPE: 1 RESULTS SELECT UP TO 4	

INJURIES	SEATING POSITION	AIR BAG	OL CLASS	OL RESTRICTION(S)	DRIVER DISTRACTION	TEST STATUS
1 - FATAL	1 - FRONT - LEFT SIDE (MOTORCYCLE DRIVER)	1 - NOT DEPLOYED	1 - CLASS A	1 - ALCOHOL INTERLOCK DEVICE	1 - NOT DISTRACTED	1 - NONE GIVEN
2 - SUSPECTED SERIOUS INJURY	2 - FRONT - MIDDLE	2 - DEPLOYED FRONT	2 - CLASS B	2 - CDL INTRASTATE ONLY	2 - MANUALLY OPERATING AN ELECTRONIC COMMUNICATION DEVICE (TEXTING, TYPING, DIALING)	2 - TEST REFUSED
3 - SUSPECTED MINOR INJURY	3 - FRONT - RIGHT SIDE	3 - DEPLOYED SIDE	3 - CLASS C	3 - CORRECTIVE LENSES	3 - TALKING ON HANDS-FREE COMMUNICATION DEVICE	3 - TEST GIVEN, CONTAMINATED SAMPLE / UNUSABLE
4 - POSSIBLE INJURY	4 - SECOND - LEFT SIDE (MOTORCYCLE PASSENGER)	4 - DEPLOYED BOTH FRONT/SIDE	4 - REGULAR CLASS (OHIO = D)	4 - FARM WAIVER	4 - TALKING ON HAND-HELD COMMUNICATION DEVICE	4 - TEST GIVEN, RESULTS KNOWN
5 - NO APPARENT INJURY	5 - SECOND - MIDDLE	5 - NOT APPLICABLE	5 - M/C MOPED ONLY	5 - EXCEPT CLASS A BUS & CLASS B BUS	5 - OTHER ACTIVITY WITH AN ELECTRONIC DEVICE	5 - TEST GIVEN, RESULTS UNKNOWN
	6 - SECOND - RIGHT SIDE	9 - DEPLOYMENT UNKNOWN	6 - NO VALID OL	6 - EXCEPT CLASS A & CLASS B BUS	6 - PASSENGER	
	7 - THIRD - LEFT SIDE (MOTORCYCLE SIDE CAR)			7 - EXCEPT TRACTOR-TRAILER	7 - OTHER DISTRACTION INSIDE THE VEHICLE	
	8 - THIRD - MIDDLE	EJECTION		8 - INTERMEDIATE LICENSE RESTRICTIONS	8 - OTHER DISTRACTION OUTSIDE THE VEHICLE	
	9 - THIRD - RIGHT SIDE	1 - NOT EJECTED		9 - LEARNER'S PERMIT RESTRICTIONS	9 - OTHER / UNKNOWN	ALCOHOL TEST TYPE
	10 - SLEEPER SECTION OF TRUCK CAB	2 - PARTIALLY EJECTED	OL ENDORSEMENT	10 - LIMITED TO DAYLIGHT ONLY		1 - NONE
	11 - PASSENGER IN OTHER ENCLOSED CARGO AREA (NON-TRAILING UNIT, BUS, PICK-UP WITH CAP)	3 - TOTALLY EJECTED	H - HAZMAT	11 - LIMITED TO EMPLOYMENT		2 - BLOOD
	12 - PASSENGER IN UNENCLOSED CARGO AREA	4 - NOT APPLICABLE	M - MOTORCYCLE	12 - LIMITED - OTHER		3 - URINE
	13 - TRAILING UNIT	TRAPPED	P - PASSENGER	13 - MECHANICAL DEVICES (SPECIAL BRAKES, HAND CONTROLS, OR OTHER ADAPTIVE DEVICES)	CONDITION	4 - BREATH
	14 - RIDING ON VEHICLE EXTERIOR	1 - NOT TRAPPED	N - TANKER	14 - MILITARY VEHICLES ONLY	1 - APPARENTLY NORMAL	5 - OTHER
	15 - NON-MOTORIST	2 - EXTRICATED BY MECHANICAL MEANS	Q - MOTOR SCOOTER	15 - MOTOR VEHICLES WITHOUT AIR BRAKES	2 - PHYSICAL IMPAIRMENT	DRUG TEST TYPE
	99 - OTHER / UNKNOWN	3 - FREED BY NON-MECHANICAL MEANS	R - THREE-WHEEL MOTORCYCLE	16 - OUTSIDE MIRROR	3 - EMOTIONAL (E.G., DEPRESSED, ANGRY, DISTURBED)	1 - NONE
			S - SCHOOL BUS	17 - PROSTHETIC AID	4 - ILLNESS	2 - BLOOD
			T - DOUBLE & TRIPLE TRAILERS	18 - OTHER	5 - FELL ASLEEP, FAINTED, FATIGUED, ETC.	3 - URINE
			X - TANKER / HAZMAT		6 - UNDER THE INFLUENCE OF MEDICATIONS / DRUGS / ALCOHOL	4 - OTHER
					9 - OTHER / UNKNOWN	DRUG TEST RESULT(S)
			GENDER			1 - AMPHETAMINES
			F - FEMALE			2 - BARBITURATES
			M - MALE			3 - BENZODIAZEPINES
			U - OTHER / UNKNOWN			4 - CANNABINOIDS
						5 - COCAINE
						6 - OPIATES / OPIOIDS
						7 - OTHER
						8 - NEGATIVE RESULTS



OCCUPANT / WITNESS ADDENDUM

LOCAL REPORT NUMBER

000210031822

UNIT # 2	NAME: LAST, FIRST, MIDDLE HOLLAND, JASMINE				DATE OF BIRTH 04/22/2021		AGE 0	GENDER F	
ADDRESS: STREET, CITY, STATE, ZIP 3592 BOOTJACK CORNER RD., WILLIAMSBURG, OH, 45176					CONTACT PHONE - INCLUDE AREA CODE [REDACTED]				
INJURIES 5	INJURED TAKEN BY 1	EMS AGENCY (NAME)	INJURED TAKEN TO: MEDICAL FACILITY (NAME, CITY)	SAFETY EQUIPMENT 6	<input type="checkbox"/> DOT-COMPLIANT MC HELMET	SEATING POSITION 9	AIR BAG USAGE 1	EJECTION 1	TRAPPED 1

UNIT #	NAME: LAST, FIRST, MIDDLE				DATE OF BIRTH		AGE	GENDER	
ADDRESS: STREET, CITY, STATE, ZIP					CONTACT PHONE - INCLUDE AREA CODE				
INJURIES	INJURED TAKEN BY	EMS AGENCY (NAME)	INJURED TAKEN TO: MEDICAL FACILITY (NAME, CITY)	SAFETY EQUIPMENT	<input type="checkbox"/> DOT-COMPLIANT MC HELMET	SEATING POSITION	AIR BAG USAGE	EJECTION	TRAPPED

UNIT #	NAME: LAST, FIRST, MIDDLE				DATE OF BIRTH		AGE	GENDER	
ADDRESS: STREET, CITY, STATE, ZIP					CONTACT PHONE - INCLUDE AREA CODE				
INJURIES	INJURED TAKEN BY	EMS AGENCY (NAME)	INJURED TAKEN TO: MEDICAL FACILITY (NAME, CITY)	SAFETY EQUIPMENT	<input type="checkbox"/> DOT-COMPLIANT MC HELMET	SEATING POSITION	AIR BAG USAGE	EJECTION	TRAPPED

UNIT #	NAME: LAST, FIRST, MIDDLE				DATE OF BIRTH		AGE	GENDER	
ADDRESS: STREET, CITY, STATE, ZIP					CONTACT PHONE - INCLUDE AREA CODE				
INJURIES	INJURED TAKEN BY	EMS AGENCY (NAME)	INJURED TAKEN TO: MEDICAL FACILITY (NAME, CITY)	SAFETY EQUIPMENT	<input type="checkbox"/> DOT-COMPLIANT MC HELMET	SEATING POSITION	AIR BAG USAGE	EJECTION	TRAPPED

INJURIES	SAFETY EQUIPMENT USED	SEATING POSITION	AIR BAG USAGE
1 - FATAL	1 - NONE USED - VEHICLE OCCUPANT	1 - FRONT - LEFT SIDE (MOTORCYCLE DRIVER)	1 - NOT DEPLOYED
2 - SUSPECTED SERIOUS INJURY	2 - SHOULDER BELT ONLY USED	2 - FRONT - MIDDLE	2 - DEPLOYED FRONT
3 - SUSPECTED MINOR INJURY	3 - LAP BELT ONLY USED	3 - FRONT - RIGHT SIDE	3 - DEPLOYED SIDE
4 - POSSIBLE INJURY	4 - SHOULDER & LAP BELT USED	4 - SECOND - LEFT SIDE (MOTORCYCLE PASSENGER)	4 - DEPLOYED BOTH FRONT/SIDE
5 - NO APPARENT INJURY	5 - CHILD RESTRAINT SYSTEM - FORWARD FACING	5 - SECOND - MIDDLE	5 - NOT APPLICABLE
INJURED TAKEN BY	6 - CHILD RESTRAINT SYSTEM - REAR FACING	6 - SECOND - RIGHT SIDE	9 - DEPLOYMENT UNKNOWN
1 - NOT TRANSPORTED / TREATED AT SCENE	7 - BOOSTER SEAT	7 - THIRD - LEFT SIDE (MOTORCYCLE SIDE CAR)	EJECTION
2 - EMS	8 - HELMET USED	8 - THIRD - MIDDLE	1 - NOT EJECTED
3 - POLICE	9 - PROTECTIVE PADS USED (ELBOWS, KNEES, ETC)	9 - THIRD - RIGHT SIDE	2 - PARTIALLY EJECTED
9 - OTHER / UNKNOWN	10 - REFLECTIVE CLOTHING	10 - SLEEPER SECTION OF TRUCK CAB	3 - TOTALLY EJECTED
GENDER	11 - LIGHTING - PEDESTRIAN / BICYCLE ONLY	11 - PASSENGER IN OTHER ENCLOSED CARGO AREA (NON-TRAILING UNIT SUCH AS A BUS, PICK-UP WITH CAP)	4 - NOT APPLICABLE
F - FEMALE	99 - OTHER / UNKNOWN	12 - PASSENGER IN UNENCLOSED CARGO AREA	TRAPPED
M - MALE		13 - TRAILING UNIT	1 - NOT TRAPPED
U - OTHER / UNKNOWN		14 - RIDING ON VEHICLE EXTERIOR (NON-TRAILING UNIT)	2 - EXTRICATED BY MECHANICAL MEANS
		15 - NON-MOTORIST	3 - FREED BY NON-MECHANICAL MEANS
		99 - OTHER / UNKNOWN	

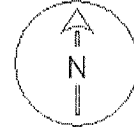
NAME: LAST, FIRST, MIDDLE				DATE OF BIRTH		AGE	GENDER	
ADDRESS: STREET, CITY, STATE, ZIP					CONTACT PHONE - INCLUDE AREA CODE			

NAME: LAST, FIRST, MIDDLE				DATE OF BIRTH		AGE	GENDER	
ADDRESS: STREET, CITY, STATE, ZIP					CONTACT PHONE - INCLUDE AREA CODE			

NAME: LAST, FIRST, MIDDLE				DATE OF BIRTH		AGE	GENDER	
ADDRESS: STREET, CITY, STATE, ZIP					CONTACT PHONE - INCLUDE AREA CODE			

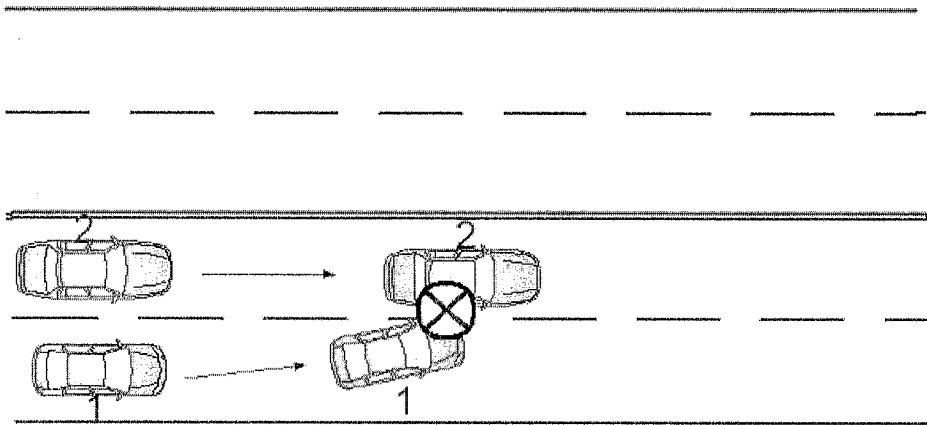
OHIO TRAFFIC ACCIDENT - OH2 DIAGRAM

LOCAL REPORT NUMBER 000210031822	REPORTING AGENCY Clermont County Sheriff	Date Of Crash 09/09/2021
IN COUNTY OF Clermont County	ACCIDENT LOCATION 125	



Not To Scale

SR 125



Marshal Rd

OFFICERS SIGNATURE

BADGE NO.

12706