

# TRAFFIC CRASH REPORT

\*DENOTES MANDATORY FIELD FOR SUPPLEMENT REPORT

LOCAL REPORT NUMBER \*

000210032786

<input checked="" type="checkbox"/> PHOTOS TAKEN <input type="checkbox"/> SECONDARY CRASH		<input checked="" type="checkbox"/> OH-2 <input type="checkbox"/> OH-3 <input type="checkbox"/> OH-1P <input type="checkbox"/> OTHER <input type="checkbox"/> PRIVATE PROPERTY		LOCAL INFORMATION REPORTING AGENCY NAME * Clermont County Sheriff		NCIC * 01300		HIT/SKIP 1 - SOLVED 2 - UNSOLVED		NUMBER OF UNITS 1		UNIT IN ERROR 98 - ANIMAL 99 - UNKNOWN	
--	--	--	--	---	--	-----------------	--	--	--	----------------------	--	--	--

COUNTY* 13	LOCALITY* 3	LOCATION: CITY, VILLAGE, TOWNSHIP* Batavia	CRASH DATE / TIME* 09/17/2021 11:02	CRASH SEVERITY 5
---------------	----------------	---	--	---------------------

ROUTE TYPE	ROUTE NUMBER	PREFIX 1 - NORTH 2 - SOUTH 3 - EAST 4 - WEST	LOCATION ROAD NAME Armstrong	ROAD TYPE BL	LATITUDE DECIMAL DEGREES 39.081590
------------	--------------	---	---------------------------------	-----------------	---------------------------------------

ROUTE TYPE	ROUTE NUMBER	PREFIX 1 - NORTH 2 - SOUTH 3 - EAST 4 - WEST	REFERENCE ROAD NAME (ROAD, MILEPOST, HOUSE #) 4288	ROAD TYPE	LONGITUDE DECIMAL DEGREES -84.217221
------------	--------------	---	---	-----------	---

REFERENCE POINT 3	DIRECTION FROM REFERENCE 1 - NORTH 2 - SOUTH 3 - EAST 4 - WEST	ROUTE TYPE IR - INTERSTATE ROUTE (TP) US - FEDERAL US ROUTE SR - STATE ROUTE CR - NUMBERED COUNTY ROUTE TR - NUMBERED TOWNSHIP ROUTE	ROAD TYPE AL - ALLEY AV - AVENUE BL - BOULEVARD CR - CIRCLE CT - COURT DR - DRIVE HE - HEIGHTS HW - HIGHWAY LA - LANE MP - MILEPOST OV - OVAL PK - PARKWAY PI - PIKE PL - PLACE RD - ROAD SQ - SQUARE ST - STREET TE - TERRACE TL - TRAIL WA - WAY	INTERSECTION RELATED <input type="checkbox"/> WITHIN INTERSECTION OR ON APPROACH <input type="checkbox"/> WITHIN INTERCHANGE AREA	NUMBER OF APPROACHES
----------------------	--	---	--	---	----------------------

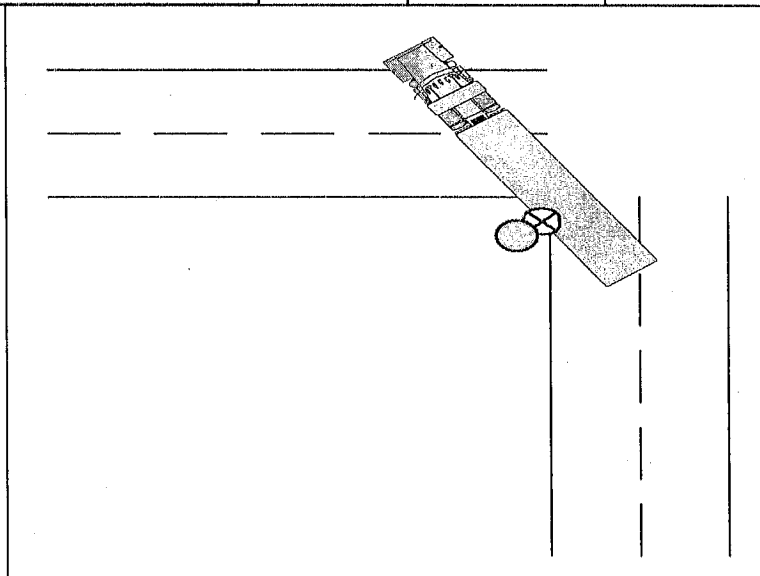
DISTANCE FROM REFERENCE	DISTANCE UNIT OF MEASURE 1 - MILES 2 - FEET 3 - YARDS	ROADWAY <input type="checkbox"/> ROADWAY DIVIDED
-------------------------	--	---

LOCATION OF FIRST HARMFUL EVENT 10	MANNER OF CRASH COLLISION/IMPACT 1	DIRECTION OF TRAVEL 1 - NORTH 2 - SOUTH 3 - EAST 4 - WEST	MEDIAN TYPE 1 - DIVIDED FLUSH MEDIAN (<4 FEET) 2 - DIVIDED FLUSH MEDIAN (≥4 FEET) 3 - DIVIDED, DEPRESSED MEDIAN 4 - DIVIDED, RAISED MEDIAN (ANY TYPE) 9 - OTHER / UNKNOWN
---------------------------------------	---------------------------------------	---	--

<input type="checkbox"/> WORK ZONE RELATED <input type="checkbox"/> WORKERS PRESENT <input type="checkbox"/> LAW ENFORCEMENT PRESENT <input type="checkbox"/> ACTIVE SCHOOL ZONE	WORK ZONE TYPE 1 - LANE CLOSURE 2 - LANE SHIFT/ Crossover 3 - WORK ON SHOULDER OR MEDIAN 4 - INTERMITTENT OR MOVING WORK 5 - OTHER	LOCATION OF CRASH IN WORK ZONE 1 - BEFORE THE 1ST WORK ZONE WARNING SIGN 2 - ADVANCE WARNING AREA 3 - TRANSITION AREA 4 - ACTIVITY AREA 5 - TERMINATION AREA	CONTOUR 1	CONDITIONS 1	SURFACE 2
---	---	---	--------------	-----------------	--------------

LIGHT CONDITION 1	WEATHER 1	1 - DRY 2 - WET 3 - SNOW 4 - ICE 5 - SAND, MUD, DIRT, OIL, GRAVEL 6 - WATER (STANDING, MOVING) 7 - SLUSH 9 - OTHER / UNKNOWN
----------------------	--------------	---

NARRATIVE  
 Unit 1 was attempting to turn his semi around in the lot of 4288 Armstrong Blvd when the driver of unit 1 clipped a telephone pole causing multiple transformers to blow in the area. No physical damage was observed on the semi.



CRASH REPORTED DATE / TIME 09/17/2021 11:02	DISPATCH DATE / TIME 09/17/2021 11:03	ARRIVAL DATE / TIME 09/17/2021 11:15	SCENE CLEARED DATE / TIME 09/17/2021 11:46	REPORT TAKEN BY <input checked="" type="checkbox"/> POLICE AGENCY <input type="checkbox"/> MOTORIST
TOTAL TIME ROADWAY CLOSED 0	OTHER INVESTIGATION TIME 25	TOTAL MINUTES 68	OFFICER'S NAME* Deputy Tudor	CHECKED BY OFFICER'S NAME* Rudd, Jeffrey
			OFFICER'S BADGE NUMBER* 122226	CHECKED BY OFFICER'S BADGE NUMBER* R3052

SUPPLEMENT  
 (CORRECTION OR ADDITION TO AN EXISTING REPORT SENT TO ODPS)

**OWNER**

UNIT # 1 OWNER NAME: LAST, FIRST, MIDDLE (☐ SAME AS DRIVER) DOBBS, DYLAN OWNER PHONE: INCLUDE AREA CODE (☐ SAME AS DRIVER)

OWNER ADDRESS: STREET, CITY, STATE, ZIP (☐ SAME AS DRIVER) 5828 HOLLADAY ROAD, HILLSBORO, OH, 45133

COMMERCIAL CARRIER: NAME, ADDRESS, CITY, STATE, ZIP COMMERCIAL CARRIER PHONE: INCLUDE AREA CODE

**DAMAGE**

**DAMAGE SCALE**

1 - NONE 3 - FUNCTIONAL DAMAGE  
 2 - MINOR DAMAGE 4 - DISABLING DAMAGE  
 9 - UNKNOWN

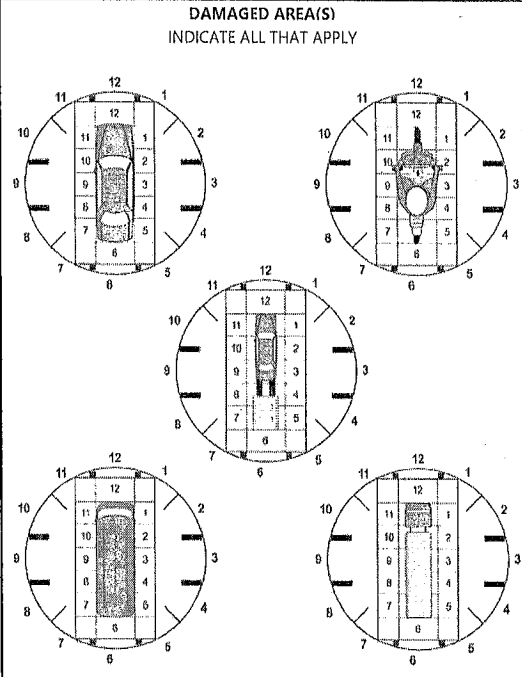
**VEHICLE**

LP STATE OH LICENSE PLATE # PMK4281 VEHICLE IDENTIFICATION # 1XPFD59X0JN258663 VEHICLE YEAR 1988 VEHICLE MAKE PETERBILT

INSURANCE VERIFIED  INSURANCE COMPANY WESTERN RESERVE MUTUAL INSURANCE POLICY # PACKWCA3402313767 COLOR BLK VEHICLE MODEL 378

TYPE OF USE:  COMMERCIAL  GOVERNMENT  IN EMERGENCY RESPONSE  INTERLOCK DEVICE EQUIPPED  HIT/SKIP UNIT # OCCUPANTS

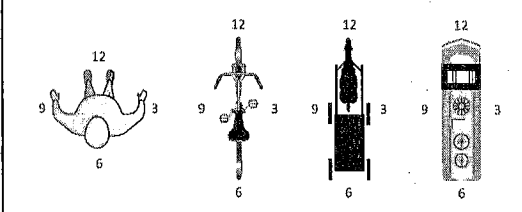
US DOT # TOWED BY: COMPANY NAME HAZARDOUS MATERIAL:  MATERIAL  RELEASED  PLACARD CLASS # PLACARD ID #



UNIT TYPE 15

1 - PASSENGER CAR 6 - VAN (9-15 SEATS) 12 - GOLF CART 18 - LIMO (LIVERY VEHICLE) 23 - PEDESTRIAN/SKATER  
 2 - PASSENGER VAN (MINIVAN) 7 - MOTORCYCLE 2-WHEELED 13 - SNOWMOBILE 19 - BUS (16+ PASSENGERS) 24 - WHEELCHAIR (ANY TYPE)  
 3 - SPORT UTILITY VEHICLE 8 - MOTORCYCLE 3-WHEELED 14 - SINGLE UNIT TRUCK 20 - OTHER VEHICLE 25 - OTHER NON-MOTORIST  
 4 - PICK UP 9 - AUTOCYCLE 15 - SEMI-TRACTOR 21 - HEAVY EQUIPMENT 26 - BICYCLE  
 5 - CARGO VAN 10 - MOPED OR MOTORIZED BICYCLE 16 - FARM EQUIPMENT 22 - ANIMAL WITH RIDER OR ANIMAL-DRAWN VEHICLE 27 - TRAIN  
 11 - ALL TERRAIN VEHICLE (ATV/UTV) 17 - MOTORHOME 99 - UNKNOWN OR HIT/SKIP

# OF TRAILING UNITS 0



WAS VEHICLE OPERATING IN AUTONOMOUS MODE WHEN CRASH OCCURRED? 2

0 - NO AUTOMATION 3 - CONDITIONAL AUTOMATION 9 - UNKNOWN  
 1 - DRIVER ASSISTANCE 4 - HIGH AUTOMATION  
 1 - YES 2 - NO 9 - OTHER / UNKNOWN AUTONOMOUS MODE LEVEL 2 - PARTIAL AUTOMATION 5 - FULL AUTOMATION

SPECIAL FUNCTION 99

1 - NONE 6 - BUS - CHARTER/TOUR 11 - FIRE 16 - FARM 21 - MAIL CARRIER  
 2 - TAXI 7 - BUS - INTERCITY 12 - MILITARY 17 - MOWING 99 - OTHER / UNKNOWN  
 3 - ELECTRONIC RIDE SHARING 8 - BUS - SHUTTLE 13 - POLICE 18 - SNOW REMOVAL  
 4 - SCHOOL TRANSPORT 9 - BUS - OTHER 14 - PUBLIC UTILITY 19 - TOWING  
 5 - BUS - TRANSIT/COMMUTER 10 - AMBULANCE 15 - CONSTRUCTION EQUIP. 20 - SAFETY SERVICE PATROL

CARGO BODY TYPE 99

1 - NO CARGO BODY TYPE / NOT APPLICABLE 4 - LOGGING 7 - GRAIN/CHIPS/GRAVEL 11 - DUMP 99 - OTHER / UNKNOWN  
 2 - BUS 5 - INTERMODAL CONTAINER CHASSIS 8 - POLE 12 - CONCRETE MIXER  
 3 - VEHICLE TOWING ANOTHER MOTOR VEHICLE 6 - CARGOVAN / ENCLOSED BOX 9 - CARGO TANK 13 - AUTO TRANSPORTER 14 - GARBAGE/REFUSE

VEHICLE DEFECTS 99

1 - TURN SIGNALS 4 - BRAKES 7 - WORN OR SLICK TIRES 9 - MOTOR TROUBLE 99 - OTHER / UNKNOWN  
 2 - HEAD LAMPS 5 - STEERING 8 - TRAILER EQUIPMENT DEFECTIVE 10 - DISABLED FROM PRIOR ACCIDENT  
 3 - TAIL LAMPS 6 - TIRE BLOWOUT

- NO DAMAGE [ 0 ]  - UNDERCARRIAGE [ 14 ]  
 - TOP [ 13 ]  - ALL AREAS [ 15 ]  
 - UNIT NOT AT SCENE [ 16 ]

NON-MOTORIST LOCATION AT IMPACT

1 - INTERSECTION - MARKED CROSSWALK 4 - MIDBLOCK - MARKED CROSSWALK 7 - SHOULDER/ROADSIDE 10 - DRIVEWAY ACCESS 99 - OTHER / UNKNOWN  
 2 - INTERSECTION - UNMARKED CROSSWALK 5 - TRAVEL LANE - OTHER LOCATION 8 - SIDEWALK 11 - SHARED USE PATHS OR TRAILS  
 3 - INTERSECTION - OTHER 6 - BICYCLE LANE 9 - MEDIAN/CROSSING ISLAND 12 - FIRST RESPONDER AT INCIDENT SCENE

ACTION 3

1 - NON-CONTACT 1 - STRAIGHT AHEAD 9 - LEAVING TRAFFIC LANE 15 - WALKING, RUNNING, JOGGING, PLAYING 21 - STANDING OUTSIDE DISABLED VEHICLE  
 2 - NON-COLLISION 2 - BACKING 10 - PARKED 16 - WORKING 99 - OTHER / UNKNOWN  
 3 - STRIKING 3 - CHANGING LANES 11 - SLOWING OR STOPPED IN TRAFFIC 17 - PUSHING VEHICLE  
 4 - STRUCK PRE-CRASH ACTIONS 5 - MAKING RIGHT TURN 12 - DRIVERLESS 18 - APPROACHING OR LEAVING VEHICLE  
 5 - BOTH STRIKING & STRUCK 7 - MAKING U-TURN 13 - NEGOTIATING A CURVE 19 - STANDING  
 9 - OTHER / UNKNOWN 8 - ENTERING TRAFFIC LANE 14 - ENTERING OR CROSSING SPECIFIED LOCATION 20 - OTHER NON-MOTORIST

**INITIAL POINT OF CONTACT**

0 - NO DAMAGE 14 - UNDERCARRIAGE  
 1-12 - REFER TO UNIT DIAGRAM 15 - VEHICLE NOT AT SCENE  
 99 - UNKNOWN  
 13 - TOP

CONTRIBUTING CIRCUMSTANCES 6

1 - NONE 8 - FOLLOWING TOO CLOSE /ACDA 13 - IMPROPER START FROM A PARKED POSITION 18 - OPERATING DEFECTIVE EQUIPMENT 23 - OPENING DOOR INTO ROADWAY  
 2 - FAILURE TO YIELD 9 - IMPROPER LANE CHANGE 14 - STOPPED OR PARKED ILLEGALLY 19 - LOAD SHIFTING /FALLING/SPILLING 99 - OTHER IMPROPER ACTION  
 3 - RAN RED LIGHT 10 - IMPROPER PASSING 15 - SWERVING TO AVOID 20 - IMPROPER CROSSING  
 4 - RAN STOP SIGN 11 - DROVE OFF ROAD 16 - WRONG WAY 21 - LYING IN ROADWAY  
 5 - UNSAFE SPEED 12 - IMPROPER BACKING 17 - VISION OBSTRUCTION 22 - NOT DISCERNIBLE  
 6 - IMPROPER TURN 7 - LEFT OF CENTER

**TRAFFIC**

**TRAFFICWAY FLOW** 1 - ONE-WAY 2 - TWO-WAY

**TRAFFIC CONTROL** 1 - ROUNDABOUT 4 - STOP SIGN 2 - SIGNAL 5 - YIELD SIGN 3 - FLASHER 6 - NO CONTROL

# OF THROUGH LANES ON ROAD 1

**RAIL GRADE CROSSING** 1 - NOT INVOLVED 2 - INVOLVED-ACTIVE CROSSING 3 - INVOLVED-PASSIVE CROSSING

**SEQUENCE OF EVENTS**

1 40 1 - OVERTURN/ROLLOVER 7 - SEPARATION OF UNITS 12 - DOWNHILL RUNAWAY 19 - ANIMAL - OTHER 23 - STRUCK BY FALLING, SHIFTING CARGO OR ANYTHING SET IN MOTION BY A MOTOR VEHICLE  
 2 - FIRE/EXPLOSION 8 - RAN OFF ROAD RIGHT 13 - OTHER NON-COLLISION 20 - MOTOR VEHICLE IN TRANSPORT 24 - OTHER MOVABLE OBJECT  
 3 - IMMERSION 9 - RAN OFF ROAD LEFT 14 - PEDESTRIAN 21 - PARKED MOTOR VEHICLE  
 4 - JACKKNIFE 10 - CROSS MEDIAN 15 - PEDALCYCLE 22 - WORK ZONE MAINTENANCE EQUIPMENT  
 5 - CARGO / EQUIPMENT LOSS OR SHIFT 11 - CROSS CENTERLINE - OPPOSITE DIRECTION OF TRAVEL 16 - RAILWAY VEHICLE  
 6 - EQUIPMENT FAILURE 17 - ANIMAL - FARM 18 - ANIMAL - DEER

**UNIT / NON-MOTORIST DIRECTION**

FROM 2 TO 4

1 - NORTH 5 - NORTHEAST  
 2 - SOUTH 6 - NORTHWEST  
 3 - EAST 7 - SOUTHEAST  
 4 - WEST 8 - SOUTHWEST  
 9 - OTHER / UNKNOWN

**COLLISION WITH FIXED OBJECT - STRUCK**

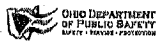
25 - IMPACT ATTENUATOR / CRASH CUSHION 31 - GUARDRAIL END 38 - OVERHEAD SIGN POST 45 - EMBANKMENT 52 - BUILDING  
 26 - BRIDGE OVERHEAD STRUCTURE 32 - PORTABLE BARRIER 39 - LIGHT / LUMINARIES SUPPORT 46 - FENCE 53 - TUNNEL  
 27 - BRIDGE PIER OR ABUTMENT 33 - MEDIAN CABLE BARRIER 40 - UTILITY POLE 47 - MAILBOX 54 - OTHER FIXED OBJECT  
 28 - BRIDGE PARAPET 34 - MEDIAN GUARDRAIL BARRIER 41 - OTHER POST, POLE OR SUPPORT 48 - TREE 55 - OTHER / UNKNOWN  
 29 - BRIDGE RAIL 35 - MEDIAN CONCRETE BARRIER 42 - CULVERT 49 - FIRE HYDRANT 50 - WORK ZONE MAINTENANCE EQUIPMENT  
 30 - GUARDRAIL FACE 36 - MEDIAN OTHER BARRIER 43 - CURB 51 - WALL

1 - FIRST HARMFUL EVENT 1 - MOST HARMFUL EVENT

**UNIT SPEED** 5

**DETECTED SPEED** 1 - STATED / ESTIMATED SPEED 2 - CALCULATED / EDR 3 - UNDETERMINED

**POSTED SPEED** 5



# MOTORIST / Non-MOTORIST

LOCAL REPORT NUMBER

000210032786

UNIT # 1	NAME: LAST, FIRST, MIDDLE MATHEKNEISLEY, MATHEW				DATE OF BIRTH 08/01/1971		AGE 50	GENDER M					
ADDRESS: STREET, CITY, STATE, ZIP 202 WALNUT STREET, BAINBRIDGE, OH, 45612					CONTACT PHONE - INCLUDE AREA CODE								
INJURIES 5	INJURED TAKEN BY 1	EMS AGENCY (NAME)		INJURED TAKEN TO: MEDICAL FACILITY (NAME, CITY)		SAFETY EQUIPMENT USED 4		<input type="checkbox"/> DOT-COMPLIANT <input type="checkbox"/> MC HELMET	SEATING POSITION 1	AIR BAG USAGE 1	EJECTION 1	TRAPPED 1	
OL STATE OH	OPERATOR LICENSE NUMBER		OFFENSE CHARGED		LOCAL CODE <input type="checkbox"/>	OFFENSE DESCRIPTION			CITATION NUMBER				
OL CLASS 1	ENDORSEMENT	RESTRICTION SELECT UP TO 3		DRIVER DISTRACTED BY 1	ALCOHOL / DRUG SUSPECTED <input type="checkbox"/> ALCOHOL <input type="checkbox"/> MARIJUANA <input type="checkbox"/> OTHER DRUG		CONDITION 1	ALCOHOL TEST			DRUG TEST(S)		
								STATUS 1	TYPE 1	VALUE	STATUS 1	TYPE 1	RESULTS SELECT UP TO 4

UNIT #	NAME: LAST, FIRST, MIDDLE				DATE OF BIRTH		AGE	GENDER					
ADDRESS: STREET, CITY, STATE, ZIP					CONTACT PHONE - INCLUDE AREA CODE								
INJURIES	INJURED TAKEN BY	EMS AGENCY (NAME)		INJURED TAKEN TO: MEDICAL FACILITY (NAME, CITY)		SAFETY EQUIPMENT USED		<input type="checkbox"/> DOT-COMPLIANT <input type="checkbox"/> MC HELMET	SEATING POSITION	AIR BAG USAGE	EJECTION	TRAPPED	
OL STATE	OPERATOR LICENSE NUMBER		OFFENSE CHARGED		LOCAL CODE <input type="checkbox"/>	OFFENSE DESCRIPTION			CITATION NUMBER				
OL CLASS	ENDORSEMENT	RESTRICTION SELECT UP TO 3		DRIVER DISTRACTED BY	ALCOHOL / DRUG SUSPECTED <input type="checkbox"/> ALCOHOL <input type="checkbox"/> MARIJUANA <input type="checkbox"/> OTHER DRUG		CONDITION	ALCOHOL TEST			DRUG TEST(S)		
								STATUS	TYPE	VALUE	STATUS	TYPE	RESULTS SELECT UP TO 4

UNIT #	NAME: LAST, FIRST, MIDDLE				DATE OF BIRTH		AGE	GENDER					
ADDRESS: STREET, CITY, STATE, ZIP					CONTACT PHONE - INCLUDE AREA CODE								
INJURIES	INJURED TAKEN BY	EMS AGENCY (NAME)		INJURED TAKEN TO: MEDICAL FACILITY (NAME, CITY)		SAFETY EQUIPMENT USED		<input type="checkbox"/> DOT-COMPLIANT <input type="checkbox"/> MC HELMET	SEATING POSITION	AIR BAG USAGE	EJECTION	TRAPPED	
OL STATE	OPERATOR LICENSE NUMBER		OFFENSE CHARGED		LOCAL CODE <input type="checkbox"/>	OFFENSE DESCRIPTION			CITATION NUMBER				
OL CLASS	ENDORSEMENT	RESTRICTION SELECT UP TO 3		DRIVER DISTRACTED BY	ALCOHOL / DRUG SUSPECTED <input type="checkbox"/> ALCOHOL <input type="checkbox"/> MARIJUANA <input type="checkbox"/> OTHER DRUG		CONDITION	ALCOHOL TEST			DRUG TEST(S)		
								STATUS	TYPE	VALUE	STATUS	TYPE	RESULTS SELECT UP TO 4

INJURIES	SEATING POSITION	AIR BAG	OL CLASS	OL RESTRICTION(S)	DRIVER DISTRACTION	TEST STATUS
1 - FATAL	1 - FRONT - LEFT SIDE (MOTORCYCLE DRIVER)	1 - NOT DEPLOYED	1 - CLASS A	1 - ALCOHOL INTERLOCK DEVICE	1 - NOT DISTRACTED	1 - NONE GIVEN
2 - SUSPECTED SERIOUS INJURY	2 - FRONT - MIDDLE	2 - DEPLOYED FRONT	2 - CLASS B	2 - CDL INTRASTATE ONLY	2 - MANUALLY OPERATING AN ELECTRONIC COMMUNICATION DEVICE (TEXTING, TYPING, DIALING)	2 - TEST REFUSED
3 - SUSPECTED MINOR INJURY	3 - FRONT - RIGHT SIDE	3 - DEPLOYED SIDE	3 - CLASS C	3 - CORRECTIVE LENSES	3 - TALKING ON HANDS-FREE COMMUNICATION DEVICE	3 - TEST GIVEN, CONTAMINATED SAMPLE / UNUSABLE
4 - POSSIBLE INJURY	4 - SECOND - LEFT SIDE (MOTORCYCLE PASSENGER)	4 - DEPLOYED BOTH FRONT/SIDE	4 - REGULAR CLASS (OHIO = D)	4 - FARM WAIVER	3 - TALKING ON HANDS-FREE COMMUNICATION DEVICE	4 - TEST GIVEN, RESULTS KNOWN
5 - NO APPARENT INJURY	5 - SECOND - MIDDLE	5 - NOT APPLICABLE	5 - M/C MOPED ONLY	5 - EXCEPT CLASS A BUS & CLASS B BUS	4 - TALKING ON HAND-HELD COMMUNICATION DEVICE	5 - TEST GIVEN, RESULTS UNKNOWN
	6 - SECOND - RIGHT SIDE	6 - DEPLOYMENT UNKNOWN	6 - NO VALID OL	6 - EXCEPT CLASS A	5 - OTHER ACTIVITY WITH AN ELECTRONIC DEVICE	
	7 - THIRD - LEFT SIDE (MOTORCYCLE SIDE CAR)	<b>EJECTION</b>		7 - EXCEPT TRACTOR-TRAILER	6 - PASSENGER	<b>ALCOHOL TEST TYPE</b>
	8 - THIRD - MIDDLE	1 - NOT EJECTED		8 - INTERMEDIATE LICENSE RESTRICTIONS	7 - OTHER DISTRACTION INSIDE THE VEHICLE	1 - NONE
<b>INJURIES TAKEN BY</b>	9 - THIRD - RIGHT SIDE	2 - PARTIALLY EJECTED	<b>OL ENDORSEMENT</b>	9 - LEARNER'S PERMIT RESTRICTIONS	8 - OTHER DISTRACTION OUTSIDE THE VEHICLE	2 - BLOOD
1 - NOT TRANSPORTED /TREATED AT SCENE	10 - SLEEPER SECTION OF TRUCK CAB	3 - TOTALLY EJECTED	H - HAZMAT	10 - LIMITED TO DAYLIGHT ONLY	9 - OTHER / UNKNOWN	3 - URINE
2 - EMS	11 - PASSENGER IN OTHER ENCLOSED CARGO AREA (NON-TRAILING UNIT, BUS, PICK-UP WITH CAP)	4 - NOT APPLICABLE	M - MOTORCYCLE	11 - LIMITED TO EMPLOYMENT ONLY		4 - BREATH
3 - POLICE	12 - PASSENGER IN UNENCLOSED CARGO AREA	<b>TRAPPED</b>	P - PASSENGER	12 - LIMITED - OTHER	<b>CONDITION</b>	5 - OTHER
9 - OTHER / UNKNOWN	13 - TRAILING UNIT	1 - NOT TRAPPED	N - TANKER	13 - MECHANICAL DEVICES (SPECIAL BRAKES, HAND CONTROLS, OR OTHER ADAPTIVE DEVICES)	1 - APPARENTLY NORMAL	<b>DRUG TEST TYPE</b>
	14 - RIDING ON VEHICLE EXTERIOR (NON-TRAILING UNIT)	2 - EXTRICATED BY MECHANICAL MEANS	Q - MOTOR SCOOTER	14 - MILITARY VEHICLES ONLY	2 - PHYSICAL IMPAIRMENT	1 - NONE
<b>SAFETY EQUIPMENT</b>	15 - NON-MOTORIST	3 - FREED BY NON-MECHANICAL MEANS	R - THREE-WHEEL MOTORCYCLE	15 - MOTOR VEHICLES WITHOUT AIR BRAKES	3 - EMOTIONAL (E.G., DEPRESSED, ANGRY, DISTURBED)	2 - BLOOD
1 - NONE USED	99 - OTHER / UNKNOWN		S - SCHOOL BUS	16 - OUTSIDE MIRROR	4 - ILLNESS	3 - URINE
2 - SHOULDER BELT ONLY USED			T - DOUBLE & TRIPLE TRAILERS	17 - PROSTHETIC AID	5 - FELL ASLEEP, FAINTED, FATIGUED, ETC.	4 - OTHER
3 - LAP BELT ONLY USED			X - TANKER / HAZMAT	18 - OTHER	6 - UNDER THE INFLUENCE OF MEDICATIONS / DRUGS / ALCOHOL	
4 - SHOULDER & LAP BELT USED					7 - OTHER / UNKNOWN	<b>DRUG TEST RESULT(S)</b>
5 - CHILD RESTRAINT SYSTEM - FORWARD FACING			<b>GENDER</b>			1 - AMPHETAMINES
6 - CHILD RESTRAINT SYSTEM - REAR FACING			F - FEMALE			2 - BARBITURATES
7 - BOOSTER SEAT			M - MALE			3 - BENZODIAZEPINES
8 - HELMET USED			U - OTHER / UNKNOWN			4 - CANNABINOIDS
9 - PROTECTIVE PADS USED (ELBOWS, KNEES, ETC)						5 - COCAINE
10 - REFLECTIVE CLOTHING						6 - OPIATES / OPIOIDS
11 - LIGHTING - PEDESTRIAN / BICYCLE ONLY						7 - OTHER
99 - OTHER / UNKNOWN						8 - NEGATIVE RESULTS



# OCCUPANT / WITNESS ADDENDUM

LOCAL REPORT NUMBER

000210032786

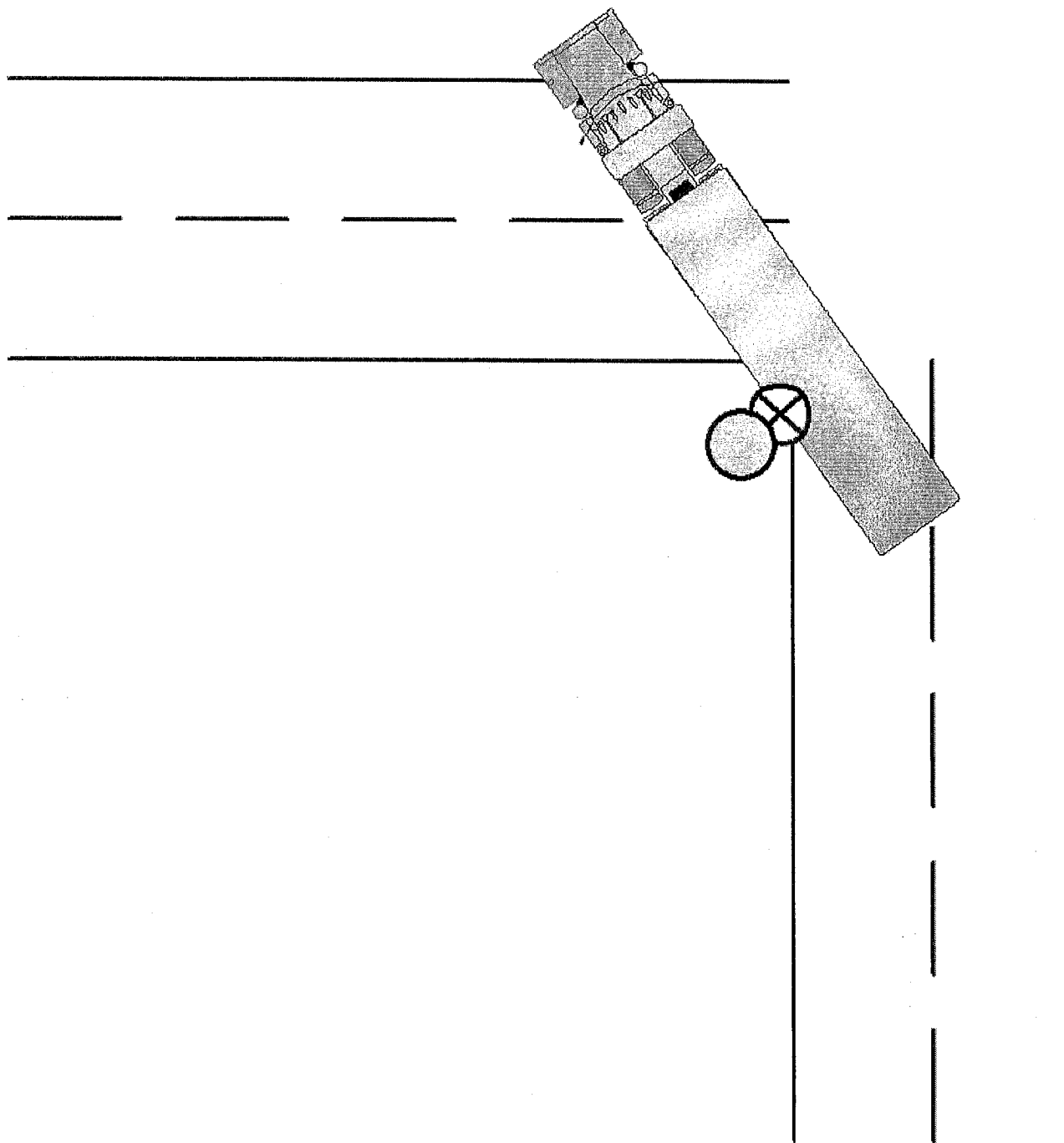
<b>OCCUPANT</b>	UNIT #	NAME: LAST, FIRST, MIDDLE			DATE OF BIRTH		AGE	GENDER	
	ADDRESS: STREET, CITY, STATE, ZIP				CONTACT PHONE - INCLUDE AREA CODE				
<b>INJURIES</b>	<b>INJURED TAKEN BY</b>	<b>EMS AGENCY (NAME)</b>	<b>INJURED TAKEN TO: MEDICAL FACILITY (NAME, CITY)</b>	<b>SAFETY EQUIPMENT</b>	<input type="checkbox"/> DOT-COMPLIANT MC HELMET	<b>SEATING POSITION</b>	<b>AIR BAG USAGE</b>	<b>EJECTION</b>	<b>TRAPPED</b>
UNIT #	NAME: LAST, FIRST, MIDDLE			DATE OF BIRTH		AGE	GENDER		
ADDRESS: STREET, CITY, STATE, ZIP				CONTACT PHONE - INCLUDE AREA CODE					
<b>INJURIES</b>	<b>INJURED TAKEN BY</b>	<b>EMS AGENCY (NAME)</b>	<b>INJURED TAKEN TO: MEDICAL FACILITY (NAME, CITY)</b>	<b>SAFETY EQUIPMENT</b>	<input type="checkbox"/> DOT-COMPLIANT MC HELMET	<b>SEATING POSITION</b>	<b>AIR BAG USAGE</b>	<b>EJECTION</b>	<b>TRAPPED</b>
UNIT #	NAME: LAST, FIRST, MIDDLE			DATE OF BIRTH		AGE	GENDER		
ADDRESS: STREET, CITY, STATE, ZIP				CONTACT PHONE - INCLUDE AREA CODE					
<b>INJURIES</b>	<b>INJURED TAKEN BY</b>	<b>EMS AGENCY (NAME)</b>	<b>INJURED TAKEN TO: MEDICAL FACILITY (NAME, CITY)</b>	<b>SAFETY EQUIPMENT</b>	<input type="checkbox"/> DOT-COMPLIANT MC HELMET	<b>SEATING POSITION</b>	<b>AIR BAG USAGE</b>	<b>EJECTION</b>	<b>TRAPPED</b>
UNIT #	NAME: LAST, FIRST, MIDDLE			DATE OF BIRTH		AGE	GENDER		
ADDRESS: STREET, CITY, STATE, ZIP				CONTACT PHONE - INCLUDE AREA CODE					
<b>INJURIES</b>	<b>INJURED TAKEN BY</b>	<b>EMS AGENCY (NAME)</b>	<b>INJURED TAKEN TO: MEDICAL FACILITY (NAME, CITY)</b>	<b>SAFETY EQUIPMENT</b>	<input type="checkbox"/> DOT-COMPLIANT MC HELMET	<b>SEATING POSITION</b>	<b>AIR BAG USAGE</b>	<b>EJECTION</b>	<b>TRAPPED</b>

<b>INJURIES</b>	<b>SAFETY EQUIPMENT USED</b>	<b>SEATING POSITION</b>	<b>AIR BAG USAGE</b>
1 - FATAL	1 - NONE USED - VEHICLE OCCUPANT	1 - FRONT - LEFT SIDE (MOTORCYCLE DRIVER)	1 - NOT DEPLOYED
2 - SUSPECTED SERIOUS INJURY	2 - SHOULDER BELT ONLY USED	2 - FRONT - MIDDLE	2 - DEPLOYED FRONT
3 - SUSPECTED MINOR INJURY	3 - LAP BELT ONLY USED	3 - FRONT - RIGHT SIDE	3 - DEPLOYED SIDE
4 - POSSIBLE INJURY	4 - SHOULDER & LAP BELT USED	4 - SECOND - LEFT SIDE (MOTORCYCLE PASSENGER)	4 - DEPLOYED BOTH FRONT/SIDE
5 - NO APPARENT INJURY	5 - CHILD RESTRAINT SYSTEM - FORWARD FACING	5 - SECOND - MIDDLE	5 - NOT APPLICABLE
<b>INJURED TAKEN BY</b>		6 - SECOND - RIGHT SIDE	9 - DEPLOYMENT UNKNOWN
1 - NOT TRANSPORTED / TREATED AT SCENE	6 - CHILD RESTRAINT SYSTEM - REAR FACING	7 - THIRD - LEFT SIDE (MOTORCYCLE SIDE CAR)	<b>EJECTION</b>
2 - EMS	7 - BOOSTER SEAT	8 - THIRD - MIDDLE	1 - NOT EJECTED
3 - POLICE	8 - HELMET USED	9 - THIRD - RIGHT SIDE	2 - PARTIALLY EJECTED
9 - OTHER / UNKNOWN	9 - PROTECTIVE PADS USED (ELBOWS, KNEES, ETC)	10 - SLEEPER SECTION OF TRUCK CAB	3 - TOTALLY EJECTED
<b>GENDER</b>		11 - PASSENGER IN OTHER ENCLOSED CARGO AREA (NON-TRAILING UNIT SUCH AS A BUS, PICK-UP WITH CAP)	4 - NOT APPLICABLE
F - FEMALE	10 - REFLECTIVE CLOTHING	12 - PASSENGER IN UNENCLOSED CARGO AREA	<b>TRAPPED</b>
M - MALE	11 - LIGHTING - PEDESTRIAN / BICYCLE ONLY	13 - TRAILING UNIT	1 - NOT TRAPPED
U - OTHER / UNKNOWN	99 - OTHER / UNKNOWN	14 - RIDING ON VEHICLE EXTERIOR (NON-TRAILING UNIT)	2 - EXTRICATED BY MECHANICAL MEANS
		15 - NON-MOTORIST	3 - FREED BY NON-MECHANICAL MEANS
		99 - OTHER / UNKNOWN	

<b>WITNESS</b>	NAME: LAST, FIRST, MIDDLE	DATE OF BIRTH		AGE	GENDER
	ADDRESS: STREET, CITY, STATE, ZIP	CONTACT PHONE - INCLUDE AREA CODE			
<b>WITNESS</b>	NAME: LAST, FIRST, MIDDLE	DATE OF BIRTH		AGE	GENDER
	ADDRESS: STREET, CITY, STATE, ZIP	CONTACT PHONE - INCLUDE AREA CODE			
<b>WITNESS</b>	NAME: LAST, FIRST, MIDDLE	DATE OF BIRTH		AGE	GENDER
	ADDRESS: STREET, CITY, STATE, ZIP	CONTACT PHONE - INCLUDE AREA CODE			

OHIO TRAFFIC ACCIDENT - OH2 DIAGRAM

LOCAL REPORT NUMBER <b>000210032786</b>	REPORTING AGENCY <b>Clermont County Sheriff</b>	Date Of Crash <b>09/17/2021</b>
IN COUNTY OF <b>Clermont County</b>	ACCIDENT LOCATION <b>Armstrong</b>	



OFFICERS SIGNATURE	BADGE NO. <b>122226</b>
--------------------	----------------------------