

# TRAFFIC CRASH REPORT

\*DENOTES MANDATORY FIELD FOR SUPPLEMENT REPORT

LOCAL REPORT NUMBER \*

000210033410

<input type="checkbox"/> PHOTOS TAKEN <input type="checkbox"/> OH -2 <input type="checkbox"/> OH -3 <input type="checkbox"/> SECONDARY CRASH <input type="checkbox"/> OH-1P <input type="checkbox"/> OTHER <input checked="" type="checkbox"/> PRIVATE PROPERTY		LOCAL INFORMATION REPORTING AGENCY NAME * Clermont County Sheriff		NCIC * 01300		HIT/SKIP 1 - SOLVED 2 - UNSOLVED		NUMBER OF UNITS 2		UNIT IN ERROR 98 - ANIMAL 99 - UNKNOWN			
COUNTY* 13		LOCALITY* 1 - CITY 2 - VILLAGE 3 - TOWNSHIP 3		LOCATION: CITY, VILLAGE, TOWNSHIP* Batavia		CRASH DATE / TIME* 09/22/2021 12:30		CRASH SEVERITY 1 - FATAL 2 - SERIOUS INJURY SUSPECTED 3 - MINOR INJURY SUSPECTED 4 - INJURY POSSIBLE 5 - PROPERTY DAMAGE ONLY 5					
ROUTE TYPE ROUTE NUMBER PREFIX 1 - NORTH 2 - SOUTH 3 - EAST 4 - WEST		LOCATION ROAD NAME Winemiller		ROAD TYPE RD		LATITUDE DECIMAL DEGREES 39.082886		5					
ROUTE TYPE ROUTE NUMBER PREFIX 1 - NORTH 2 - SOUTH 3 - EAST 4 - WEST		REFERENCE ROAD NAME (ROAD, MILEPOST, HOUSE #) 2195		ROAD TYPE		LONGITUDE DECIMAL DEGREES -84.154201							
REFERENCE POINT 1 - INTERSECTION 2 - MILE POST 3 - HOUSE # 3		DIRECTION FROM REFERENCE 1 - NORTH 2 - SOUTH 3 - EAST 4 - WEST		ROUTE TYPE IR - INTERSTATE ROUTE (TP) US - FEDERAL US ROUTE SR - STATE ROUTE CR - NUMBERED COUNTY ROUTE TR - NUMBERED TOWNSHIP ROUTE		ROAD TYPE AL - ALLEY    HW - HIGHWAY    RD - ROAD AV - AVENUE    LA - LANE    SQ - SQUARE BL - BOULEVARD    MP - MILEPOST    ST - STREET CR - CIRCLE    OV - OVAL    TE - TERRACE CT - COURT    PK - PARKWAY    TL - TRAIL DR - DRIVE    PI - PIKE    WA - WAY HE - HEIGHTS    PL - PLACE		INTERSECTION RELATED <input type="checkbox"/> WITHIN INTERSECTION OR ON APPROACH <input type="checkbox"/> WITHIN INTERCHANGE AREA    NUMBER OF APPROACHES					
DISTANCE FROM REFERENCE DISTANCE UNIT OF MEASURE 1 - MILES 2 - FEET 3 - YARDS		LOCATION OF FIRST HARMFUL EVENT 1 - ON ROADWAY 2 - ON SHOULDER 3 - IN MEDIAN 4 - ON ROADSIDE 5 - ON GORE 6 - OUTSIDE TRAFFIC WAY 7 - ON RAMP 8 - OFF RAMP 6		MANNER OF CRASH COLLISION/IMPACT 1 - NOT COLLISION BETWEEN TWO MOTOR VEHICLES IN TRANSPORT 2 - REAR-END 3 - HEAD-ON 4 - REAR-TO-REAR 5 - BACKING 6 - ANGLE 7 - SIDESWIPE, SAME DIRECTION 8 - SIDESWIPE, OPPOSITE DIRECTION 9 - OTHER / UNKNOWN 9		DIRECTION OF TRAVEL 1 - NORTH 2 - SOUTH 3 - EAST 4 - WEST		MEDIAN TYPE 1 - DIVIDED FLUSH MEDIAN (<4 FEET) 2 - DIVIDED FLUSH MEDIAN (≥4 FEET) 3 - DIVIDED, DEPRESSED MEDIAN 4 - DIVIDED, RAISED MEDIAN (ANY TYPE) 9 - OTHER / UNKNOWN					
<input type="checkbox"/> WORK ZONE RELATED <input type="checkbox"/> WORKERS PRESENT <input type="checkbox"/> LAW ENFORCEMENT PRESENT <input type="checkbox"/> ACTIVE SCHOOL ZONE		WORK ZONE TYPE 1 - LANE CLOSURE 2 - LANE SHIFT/ CROSSOVER 3 - WORK ON SHOULDER OR MEDIAN 4 - INTERMITTENT OR MOVING WORK 5 - OTHER		LOCATION OF CRASH IN WORK ZONE 1 - BEFORE THE 1ST WORK ZONE WARNING SIGN 2 - ADVANCE WARNING AREA 3 - TRANSITION AREA 4 - ACTIVITY AREA 5 - TERMINATION AREA		CONTOUR 1 1 - STRAIGHT LEVEL 2 - STRAIGHT GRADE 3 - CURVE LEVEL 4 - CURVE GRADE 9 - OTHER /UNKNOWN		CONDITIONS 2 1 - DRY 2 - WET 3 - SNOW 4 - ICE 5 - SAND, MUD, DIRT, OIL, GRAVEL 6 - WATER (STANDING, MOVING) 7 - SLUSH 9 - OTHER / UNKNOWN		SURFACE 2 1 - CONCRETE 2 - BLACKTOP, BITUMINOUS, ASPHALT 3 - BRICK/BLOCK 4 - SLAG, GRAVEL, STONE 5 - DIRT 9 - OTHER / UNKNOWN			
LIGHT CONDITION 1 - DAYLIGHT 2 - DAWN/DUSK 3 - DARK - LIGHTED ROADWAY 4 - DARK - ROADWAY NOT LIGHTED 5 - DARK - UNKNOWN ROADWAY LIGHTING 9 - OTHER / UNKNOWN 1		WEATHER 1 - CLEAR 2 - CLOUDY 3 - FOG, SMOG, SMOKE 4 - RAIN 5 - SLEET, HAIL 4		WEATHER 6 - SNOW 7 - SEVERE CROSSWINDS 8 - BLOWING SAND, SOIL, DIRT, SNOW 9 - FREEZING RAIN OR FREEZING DRIZZLE 99 - OTHER / UNKNOWN		NARRATIVE Owner of unit #1 advised that he walked into the busy to get some lunch and while he was inside somebody advised him that his truck was rolling backwards. Owner of unit #1 advised that he ran outside and noticed his truck had some how came out of park and rolled backwards and struck unit #2 in the drivers side causing damage to the drivers door and knocking out the drivers side window.							
CRASH REPORTED DATE / TIME 09/22/2021 12:30						DISPATCH DATE / TIME 09/22/2021 12:37		ARRIVAL DATE / TIME 09/22/2021 12:51		SCENE CLEARED DATE / TIME 09/22/2021 13:20		REPORT TAKEN BY <input checked="" type="checkbox"/> POLICE AGENCY <input type="checkbox"/> MOTORIST	
TOTAL TIME ROADWAY CLOSED OTHER INVESTIGATION TIME		TOTAL MINUTES 43		OFFICER'S NAME* Rudd, Jeffrey		CHECKED BY OFFICER'S NAME* Scott, D		<input checked="" type="checkbox"/> SUPPLEMENT (CORRECTION OR ADDITION TO AN EXISTING REPORT SENT TO ODPS)					
		OFFICER'S BADGE NUMBER* R3052		CHECKED BY OFFICER'S BADGE NUMBER* R2367									

**OWNER**  
**UNIT #** 1 **OWNER NAME:** LAST, FIRST, MIDDLE (  SAME AS DRIVER )  
 LLC, EAN, HOLDING  
**OWNER ADDRESS:** STREET, CITY, STATE, ZIP (  SAME AS DRIVER )  
 14002 EAST 21ST. STE 1500, TULSA, OK, 74101  
**COMMERCIAL CARRIER:** NAME, ADDRESS, CITY, STATE, ZIP  
**OWNER PHONE:** INCLUDE AREA CODE (  SAME AS DRIVER )

**LP STATE** NY **LICENSE PLATE #** 15450NB **VEHICLE IDENTIFICATION #** 1FT7W2B62MED43606 **VEHICLE YEAR** 2021 **VEHICLE MAKE** FORD  
**INSURANCE VERIFIED**  **INSURANCE COMPANY** ACORD **INSURANCE POLICY #** 01UEJFH1091 **COLOR** MVE **VEHICLE MODEL** F-250

**TYPE OF USE**  
 COMMERCIAL  GOVERNMENT  IN EMERGENCY RESPONSE  
 INTERLOCK DEVICE EQUIPPED  HIT/SKIP UNIT **# OCCUPANTS**  
**US DOT #** **VEHICLE WEIGHT GVWR/GCWR**  
 1 - ≤ 10K LBS.  
 2 - 10.001 - 26K LBS.  
 3 - > 26K LBS.  
**TOWED BY:** COMPANY NAME  
**HAZARDOUS MATERIAL CLASS #** **PLACARD ID #**

**UNIT TYPE**  
 1 - PASSENGER CAR 6 - VAN (9-15 SEATS) 12 - GOLF CART 18 - LIMO (LIVERY VEHICLE) 23 - PEDESTRIAN/SKATER  
 2 - PASSENGER VAN (MINIVAN) 7 - MOTORCYCLE 2-WHEELED 13 - SNOWMOBILE 19 - BUS (16+ PASSENGERS) 24 - WHEELCHAIR (ANY TYPE)  
 3 - SPORT UTILITY VEHICLE 8 - MOTORCYCLE 3-WHEELED 14 - SINGLE UNIT TRUCK 20 - OTHER VEHICLE 25 - OTHER NON-MOTORIST  
 4 - PICK UP 9 - AUTOCYCLE 15 - SEMI-TRACTOR 21 - HEAVY EQUIPMENT 26 - BICYCLE  
 5 - CARGO VAN 10 - MOPED OR MOTORIZED BICYCLE 16 - FARM EQUIPMENT 22 - ANIMAL WITH RIDER OR ANIMAL-DRAWN VEHICLE 27 - TRAIN  
 11 - ALL TERRAIN VEHICLE (ATV/UTV) 17 - MOTORHOME 99 - UNKNOWN OR HIT/SKIP

**WAS VEHICLE OPERATING IN AUTONOMOUS MODE WHEN CRASH OCCURRED?**  
 0 - NO AUTOMATION 3 - CONDITIONAL AUTOMATION 9 - UNKNOWN  
 1 - DRIVER ASSISTANCE 4 - HIGH AUTOMATION  
 2 - PARTIAL AUTOMATION 5 - FULL AUTOMATION

**SPECIAL FUNCTION**  
 1 - NONE 6 - BUS - CHARTER/TOUR 11 - FIRE 16 - FARM 21 - MAIL CARRIER  
 2 - TAXI 7 - BUS - INTERCITY 12 - MILITARY 17 - MOWING 99 - OTHER / UNKNOWN  
 3 - ELECTRONIC RIDE SHARING 8 - BUS - SHUTTLE 13 - POLICE 18 - SNOW REMOVAL  
 4 - SCHOOL TRANSPORT 9 - BUS - OTHER 14 - PUBLIC UTILITY 19 - TOWING  
 5 - BUS - TRANSIT/COMMUTER 10 - AMBULANCE 15 - CONSTRUCTION EQUIP. 20 - SAFETY SERVICE PATROL

**CARGO BODY TYPE**  
 1 - NO CARGO BODY TYPE / NOT APPLICABLE 4 - LOGGING 7 - GRAIN/CHIPS/GRAVEL 11 - DUMP 99 - OTHER / UNKNOWN  
 2 - BUS 5 - INTERMODAL CONTAINER CHASSIS 8 - POLE 12 - CONCRETE MIXER  
 3 - VEHICLE TOWING ANOTHER MOTOR VEHICLE 6 - CARGOVAN /ENCLOSED BOX 9 - CARGO TANK 13 - AUTO TRANSPORTER  
 14 - GARBAGE/REFUSE

**VEHICLE DEFECTS**  
 1 - TURN SIGNALS 4 - BRAKES 7 - WORN OR SLICK TIRES 9 - MOTOR TROUBLE 99 - OTHER / UNKNOWN  
 2 - HEAD LAMPS 5 - STEERING 8 - TRAILER EQUIPMENT DEFECTIVE 10 - DISABLED FROM PRIOR ACCIDENT  
 3 - TAIL LAMPS 6 - TIRE BLOWOUT

**NON-MOTORIST LOCATION**  
 1 - INTERSECTION - MARKED CROSSWALK 4 - MIDBLOCK - MARKED CROSSWALK 7 - SHOULDER/ROADSIDE 10 - DRIVEWAY ACCESS 99 - OTHER / UNKNOWN  
 2 - INTERSECTION - UNMARKED CROSSWALK 5 - TRAVEL LANE - OTHER LOCATION 8 - SIDEWALK 11 - SHARED USE PATHS OR TRAILS  
 3 - INTERSECTION - OTHER 6 - BICYCLE LANE 9 - MEDIAN/CROSSING ISLAND 12 - FIRST RESPONDER AT INCIDENT SCENE

**ACTION**  
 1 - NON-CONTACT 1 - STRAIGHT AHEAD 9 - LEAVING TRAFFIC LANE 15 - WALKING, RUNNING, JOGGING, PLAYING 21 - STANDING OUTSIDE DISABLED VEHICLE  
 2 - NON-COLLISION 2 - BACKING 10 - PARKED 16 - WORKING 99 - OTHER / UNKNOWN  
 3 - STRIKING 3 - CHANGING LANES 11 - SLOWING OR STOPPED IN TRAFFIC 17 - PUSHING VEHICLE 18 - APPROACHING OR LEAVING VEHICLE  
 4 - STRUCK 4 - OVERTAKING/PASSING 5 - MAKING RIGHT TURN 12 - DRIVERLESS 13 - NEGOTIATING A CURVE 19 - STANDING  
 5 - BOTH STRIKING & STRUCK 6 - MAKING LEFT TURN 7 - MAKING U-TURN 8 - ENTERING TRAFFIC LANE 14 - ENTERING OR CROSSING SPECIFIED LOCATION 20 - OTHER NON-MOTORIST  
 9 - OTHER / UNKNOWN

**CONTRIBUTING CIRCUMSTANCES**  
 1 - NONE 8 - FOLLOWING TOO CLOSE /ACDA 13 - IMPROPER START FROM A PARKED POSITION 18 - OPERATING DEFECTIVE EQUIPMENT 23 - OPENING DOOR INTO ROADWAY  
 2 - FAILURE TO YIELD 9 - IMPROPER LANE CHANGE 14 - STOPPED OR PARKED ILLEGALLY 19 - LOAD SHIFTING /FALLING/SPILLING 99 - OTHER IMPROPER ACTION  
 3 - RAN RED LIGHT 10 - IMPROPER PASSING 15 - SWERVING TO AVOID 20 - IMPROPER CROSSING  
 4 - RAN STOP SIGN 11 - DROVE OFF ROAD 16 - WRONG WAY 21 - LYING IN ROADWAY  
 5 - UNSAFE SPEED 12 - IMPROPER BACKING 17 - VISION OBSTRUCTION 22 - NOT DISCERNIBLE  
 6 - IMPROPER TURN 7 - LEFT OF CENTER

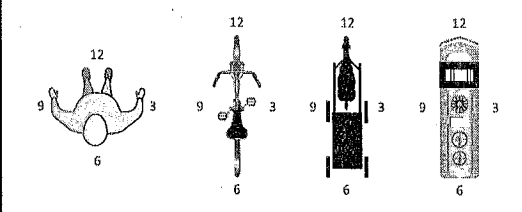
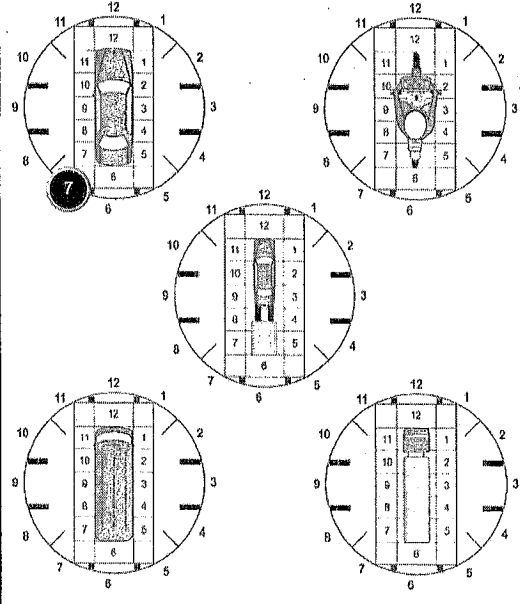
**SEQUENCE OF EVENTS**  
 1  21 1 - OVERTURN/ROLLOVER 7 - SEPARATION OF UNITS 12 - DOWNHILL RUNAWAY 19 - ANIMAL - OTHER 23 - STRUCK BY FALLING, SHIFTING CARGO OR ANYTHING SET IN MOTION BY A MOTOR VEHICLE  
 2  2 2 - FIRE/EXPLOSION 8 - RAN OFF ROAD RIGHT 13 - OTHER NON-COLLISION 20 - MOTOR VEHICLE IN TRANSPORT 24 - OTHER MOVABLE OBJECT  
 3  3 3 - IMMERSION 9 - RAN OFF ROAD LEFT 14 - PEDESTRIAN 21 - PARKED MOTOR VEHICLE 22 - WORK ZONE MAINTENANCE EQUIPMENT  
 4  4 4 - JACKKNIFE 10 - CROSS MEDIAN 15 - PEDALCYCLE 22 - WORK ZONE MAINTENANCE EQUIPMENT  
 5  5 5 - CARGO /EQUIPMENT LOSS OR SHIFT 11 - CROSS CENTERLINE - OPPOSITE DIRECTION OF TRAVEL 16 - RAILWAY VEHICLE 23 - STRUCK BY FALLING, SHIFTING CARGO OR ANYTHING SET IN MOTION BY A MOTOR VEHICLE  
 6  6 6 - EQUIPMENT FAILURE 12 - IMPROPER BACKING 17 - ANIMAL - FARM 18 - ANIMAL - DEER  
**COLLISION WITH FIXED OBJECT - STRUCK**  
 25 - IMPACT ATTENUATOR / CRASH CUSHION 31 - GUARDRAIL END 38 - OVERHEAD SIGN POST 45 - EMBANKMENT 52 - BUILDING  
 26 - BRIDGE OVERHEAD STRUCTURE 32 - PORTABLE BARRIER 39 - LIGHT / LUMINARIES SUPPORT 46 - FENCE 53 - TUNNEL  
 27 - BRIDGE PIER OR ABUTMENT 33 - MEDIAN CABLE BARRIER 40 - UTILITY POLE 47 - MAILBOX 54 - OTHER FIXED OBJECT  
 28 - BRIDGE PARAPET 34 - MEDIAN GUARDRAIL BARRIER 41 - OTHER POST, POLE OR SUPPORT 48 - TREE 99 - OTHER / UNKNOWN  
 29 - BRIDGE RAIL 35 - MEDIAN CONCRETE BARRIER 42 - CULVERT 49 - FIRE HYDRANT  
 30 - GUARDRAIL FACE 36 - MEDIAN OTHER BARRIER 43 - CURB 50 - WORK ZONE MAINTENANCE EQUIPMENT  
 37 - TRAFFIC SIGN POST 44 - DITCH 51 - WALL

**FIRST HARMFUL EVENT**  1 **MOST HARMFUL EVENT**  1

**LOCAL REPORT NUMBER**  
 000210033410

**DAMAGE**  
**DAMAGE SCALE**  
 1 - NONE 3 - FUNCTIONAL DAMAGE  
 2 - MINOR DAMAGE 4 - DISABLING DAMAGE  
 9 - UNKNOWN

**DAMAGED AREAS**  
 INDICATE ALL THAT APPLY



NO DAMAGE [ 0 ]  UNDERCARRIAGE [ 14 ]  
 TOP [ 13 ]  ALL AREAS [ 15 ]  
 UNIT NOT AT SCENE [ 16 ]

**INITIAL POINT OF CONTACT**  
 0 - NO DAMAGE 14 - UNDERCARRIAGE  
 1-12 - REFER TO UNIT DIAGRAM 15 - VEHICLE NOT AT SCENE  
 99 - UNKNOWN  
 7  13 - TOP

**TRAFFIC**  
**TRAFFICWAY FLOW**  
 1 - ONE-WAY 2 - TWO-WAY  
 2  2  
**TRAFFIC CONTROL**  
 1 - ROUNDABOUT 4 - STOP SIGN  
 2 - SIGNAL 5 - YIELD SIGN  
 3 - FLASHER 6 - NO CONTROL  
 6  6

**# OF THROUGH LANES ON ROAD**  
 2  2  
**RAIL GRADE CROSSING**  
 1 - NOT INVOLVED  
 2 - INVOLVED-ACTIVE CROSSING  
 3 - INVOLVED-PASSIVE CROSSING  
 1  1

**UNIT / NON-MOTORIST DIRECTION**  
 FROM  3 TO  4  
 1 - NORTH 5 - NORTHEAST  
 2 - SOUTH 6 - NORTHWEST  
 3 - EAST 7 - SOUTHEAST  
 4 - WEST 8 - SOUTHWEST  
 9 - OTHER / UNKNOWN

**UNIT SPEED**  
 5  
**DETECTED SPEED**  
 1 - STATED / ESTIMATED SPEED  
 2 - CALCULATED / EDR  
 3 - UNDETERMINED  
 1  1  
**POSTED SPEED**  
 5

**OWNER**  
**VEHICLE**  
**EVENTS**

**UNIT #** 2 **OWNER NAME:** LAST, FIRST, MIDDLE (  SAME AS DRIVER )  
**OWNER ADDRESS:** STREET, CITY, STATE, ZIP (  SAME AS DRIVER )  
 625 CONINA DRIVE, CINCINNATI, OH, 45233  
**COMMERCIAL CARRIER:** NAME, ADDRESS, CITY, STATE, ZIP  
**OWNER PHONE:** INCLUDE AREA CODE (  SAME AS DRIVER )

**LP STATE** OH **LICENSE PLATE #** JJR2772 **VEHICLE IDENTIFICATION #** 19XFB2F86CE004918 **VEHICLE YEAR** 2012 **VEHICLE MAKE** HONDA  
 **INSURANCE VERIFIED** **INSURANCE COMPANY** PEKIN **INSURANCE POLICY #** 005337727 **COLOR** GRY **VEHICLE MODEL** CIVIC  
 **COMMERCIAL**  **GOVERNMENT**  **IN EMERGENCY RESPONSE** **US DOT #**  
 **INTERLOCK DEVICE EQUIPPED**  **HIT/SKIP UNIT** **# OCCUPANTS** **VEHICLE WEIGHT GVWR/GCWR**  
 1 - ≤ 10K LBS.  
 2 - 10.001 - 26K LBS.  
 3 - > 26K LBS.  
**TOWED BY:** COMPANY NAME  
**HAZARDOUS MATERIAL**  
 **MATERIAL CLASS #**  **PLACARD**  **PLACARD ID #**

**UNIT TYPE** 1 - PASSENGER CAR 6 - VAN (9-15 SEATS) 12 - GOLF CART 18 - LIMO (LIVERY VEHICLE) 23 - PEDESTRIAN/SKATER  
 2 - PASSENGER VAN (MINIVAN) 7 - MOTORCYCLE 2-WHEELED 13 - SNOWMOBILE 19 - BUS (16+ PASSENGERS) 24 - WHEELCHAIR (ANY TYPE)  
 3 - SPORT UTILITY VEHICLE 8 - MOTORCYCLE 3-WHEELED 14 - SINGLE UNIT TRUCK 20 - OTHER VEHICLE 25 - OTHER NON-MOTORIST  
 4 - PICK UP 9 - AUTOCYCLE 15 - SEMI-TRACTOR 21 - HEAVY EQUIPMENT 26 - BICYCLE  
 5 - CARGO VAN 10 - MOPED OR MOTORIZED BICYCLE 16 - FARM EQUIPMENT 22 - ANIMAL WITH RIDER OR ANIMAL-DRAWN VEHICLE 27 - TRAIN  
 11 - ALL TERRAIN VEHICLE (ATV/UTV) 17 - MOTORHOME 99 - UNKNOWN OR HIT/SKIP  
**# OF TRAILING UNITS**

**WAS VEHICLE OPERATING IN AUTONOMOUS MODE WHEN CRASH OCCURRED?**  
 0 - NO AUTOMATION 3 - CONDITIONAL AUTOMATION 9 - UNKNOWN  
 1 - DRIVER ASSISTANCE 4 - HIGH AUTOMATION  
 1 - YES 2 - NO 9 - OTHER / UNKNOWN **AUTONOMOUS MODE LEVEL**  
 2 - PARTIAL AUTOMATION 5 - FULL AUTOMATION

**SPECIAL FUNCTION** 1 - NONE 6 - BUS - CHARTER/TOUR 11 - FIRE 16 - FARM 21 - MAIL CARRIER  
 2 - TAXI 7 - BUS - INTERCITY 12 - MILITARY 17 - MOWING 99 - OTHER / UNKNOWN  
 3 - ELECTRONIC RIDE SHARING 8 - BUS - SHUTTLE 13 - POLICE 18 - SNOW REMOVAL  
 4 - SCHOOL TRANSPORT 9 - BUS - OTHER 14 - PUBLIC UTILITY 19 - TOWING  
 5 - BUS - TRANSIT/COMMUTER 10 - AMBULANCE 15 - CONSTRUCTION EQUIP. 20 - SAFETY SERVICE PATROL

**CARGO BODY TYPE** 1 - NO CARGO BODY TYPE / NOT APPLICABLE 4 - LOGGING 7 - GRAIN/CHIPS/GRAVEL 11 - DUMP 99 - OTHER / UNKNOWN  
 2 - BUS 5 - INTERMODAL CONTAINER CHASSIS 8 - POLE 12 - CONCRETE MIXER  
 3 - VEHICLE TOWING ANOTHER MOTOR VEHICLE 6 - CARGOVAN / ENCLOSED BOX 9 - CARGO TANK 13 - AUTO TRANSPORTER  
 10 - FLAT BED 14 - GARBAGE/REFUSE

**VEHICLE DEFECTS** 1 - TURN SIGNALS 4 - BRAKES 7 - WORN OR SLICK TIRES 9 - MOTOR TROUBLE 99 - OTHER / UNKNOWN  
 2 - HEAD LAMPS 5 - STEERING 8 - TRAILER EQUIPMENT DEFECTIVE 10 - DISABLED FROM PRIOR ACCIDENT  
 3 - TAIL LAMPS 6 - TIRE BLOWOUT

**NON-MOTORIST LOCATION** 1 - INTERSECTION - MARKED CROSSWALK 4 - MIDBLOCK - MARKED CROSSWALK 7 - SHOULDER/ROADSIDE 10 - DRIVEWAY ACCESS 99 - OTHER / UNKNOWN  
 2 - INTERSECTION - UNMARKED CROSSWALK 5 - TRAVEL LANE - OTHER LOCATION 8 - SIDEWALK 11 - SHARED USE PATHS OR TRAILS  
 3 - INTERSECTION - OTHER 6 - BICYCLE LANE 9 - MEDIAN/CROSSING ISLAND 12 - FIRST RESPONDER AT INCIDENT SCENE

**ACTION** 1 - NON-CONTACT 1 - STRAIGHT AHEAD 9 - LEAVING TRAFFIC LANE 15 - WALKING, RUNNING, JOGGING, PLAYING 21 - STANDING OUTSIDE DISABLED VEHICLE  
 2 - NON-COLLISION 2 - BACKING 10 - PARKED 16 - WORKING 99 - OTHER / UNKNOWN  
 3 - STRIKING 3 - CHANGING LANES 4 - OVERTAKING/PASSING 11 - SLOWING OR STOPPED IN TRAFFIC 17 - PUSHING VEHICLE  
 4 - STRUCK 5 - MAKING RIGHT TURN 6 - MAKING LEFT TURN 12 - DRIVERLESS 18 - APPROACHING OR LEAVING VEHICLE  
 5 - BOTH STRIKING & STRUCK 7 - MAKING U-TURN 13 - NEGOTIATING A CURVE 19 - STANDING  
 9 - OTHER / UNKNOWN 8 - ENTERING TRAFFIC LANE 14 - ENTERING OR CROSSING SPECIFIED LOCATION 20 - OTHER NON-MOTORIST

**CONTRIBUTING CIRCUMSTANCES** 1 - NONE 8 - FOLLOWING TOO CLOSE 13 - IMPROPER START FROM A PARKED POSITION 18 - OPERATING DEFECTIVE EQUIPMENT 23 - OPENING DOOR INTO ROADWAY  
 2 - FAILURE TO YIELD 9 - IMPROPER LANE CHANGE 14 - STOPPED OR PARKED ILLEGALLY 19 - LOAD SHIFTING / FALLING/SPILLING 99 - OTHER IMPROPER ACTION  
 3 - RAN RED LIGHT 10 - IMPROPER PASSING 15 - SWERVING TO AVOID 20 - IMPROPER CROSSING  
 4 - RAN STOP SIGN 11 - DROVE OFF ROAD 16 - WRONG WAY 21 - LYING IN ROADWAY  
 5 - UNSAFE SPEED 12 - IMPROPER BACKING 17 - VISION OBSTRUCTION 22 - NOT DISCERNIBLE  
 6 - IMPROPER TURN 7 - LEFT OF CENTER

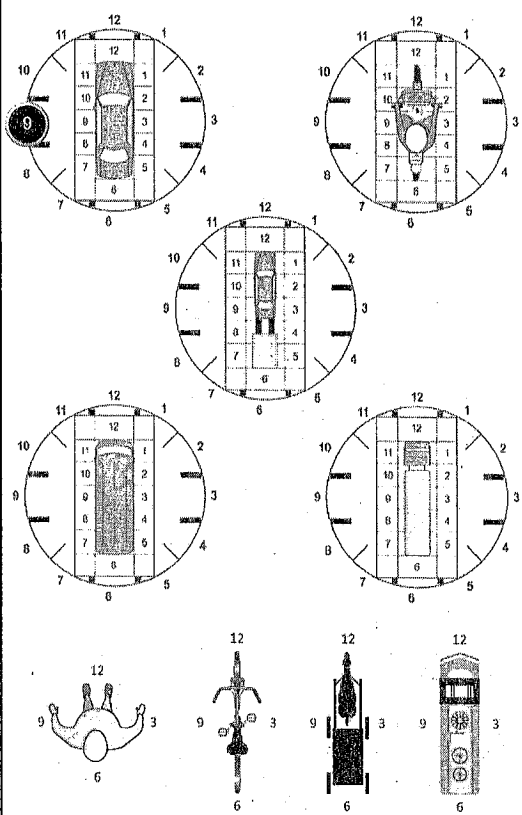
**SEQUENCE OF EVENTS**  
 1 [ 20 ] 1 - OVERTURN/ROLLOVER 7 - SEPARATION OF UNITS 12 - DOWNHILL RUNAWAY 19 - ANIMAL - OTHER 23 - STRUCK BY FALLING, SHIFTING CARGO OR ANYTHING SET IN MOTION BY A MOTOR VEHICLE  
 2 [ ] 2 - FIRE/EXPLOSION 8 - RAN OFF ROAD RIGHT 13 - OTHER NON-COLLISION 20 - MOTOR VEHICLE IN TRANSPORT 24 - OTHER MOVABLE OBJECT  
 3 - IMMERSION 9 - RAN OFF ROAD LEFT 14 - PEDESTRIAN 21 - PARKED MOTOR VEHICLE  
 4 - JACKKNIFE 10 - CROSS MEDIAN 15 - PEDALCYCLE 22 - WORK ZONE MAINTENANCE EQUIPMENT  
 5 - CARGO / EQUIPMENT LOSS OR SHIFT 11 - CROSS CENTERLINE - OPPOSITE DIRECTION OF TRAVEL 16 - RAILWAY VEHICLE 23 - STRUCK BY FALLING, SHIFTING CARGO OR ANYTHING SET IN MOTION BY A MOTOR VEHICLE  
 6 - EQUIPMENT FAILURE 17 - ANIMAL - FARM 18 - ANIMAL - DEER

**COLLISION WITH FIXED OBJECT - STRUCK**  
 4 [ ] 25 - IMPACT ATTENUATOR / CRASH CUSHION 31 - GUARDRAIL END 38 - OVERHEAD SIGN POST 45 - EMBANKMENT 52 - BUILDING  
 26 - BRIDGE OVERHEAD STRUCTURE 32 - PORTABLE BARRIER 39 - LIGHT / LUMINARIES SUPPORT 46 - FENCE 53 - TUNNEL  
 5 [ ] 33 - MEDIAN CABLE BARRIER 40 - UTILITY POLE 47 - MAILBOX 54 - OTHER FIXED OBJECT  
 27 - BRIDGE PIER OR ABUTMENT 34 - MEDIAN GUARDRAIL BARRIER 41 - OTHER POST, POLE OR SUPPORT 48 - TREE 55 - OTHER  
 28 - BRIDGE PARAPET 35 - MEDIAN CONCRETE BARRIER 42 - CULVERT 49 - FIRE HYDRANT 50 - WORK ZONE MAINTENANCE EQUIPMENT  
 29 - BRIDGE RAIL 36 - MEDIAN OTHER BARRIER 43 - CURB 51 - WALL  
 30 - GUARDRAIL FACE 37 - TRAFFIC SIGN POST 44 - DITCH

1 [ ] **FIRST HARMFUL EVENT** 1 [ ] **MOST HARMFUL EVENT**

**DAMAGE**  
**DAMAGE SCALE**  
 1 - NONE 3 - FUNCTIONAL DAMAGE  
 2 - MINOR DAMAGE 4 - DISABLING DAMAGE  
 9 - UNKNOWN  
 [ 3 ]

**DAMAGED AREA(S)**  
 INDICATE ALL THAT APPLY



NO DAMAGE [0]  UNDERCARRIAGE [14]  
 TOP [13]  ALL AREAS [15]  
 UNIT NOT AT SCENE [16]

**INITIAL POINT OF CONTACT**  
 0 - NO DAMAGE 14 - UNDERCARRIAGE  
 1 - 12 - REFER TO UNIT DIAGRAM 15 - VEHICLE NOT AT SCENE  
 13 - TOP 99 - UNKNOWN  
 [ 9 ]

**TRAFFIC**  
**TRAFFICWAY FLOW** 1 - ONE-WAY 2 - TWO-WAY [ 2 ]  
**TRAFFIC CONTROL** 1 - ROUNDABOUT 4 - STOP SIGN 2 - SIGNAL 5 - YIELD SIGN 3 - FLASHER 6 - NO CONTROL [ 6 ]

**# OF THROUGH LANES ON ROAD** [ 2 ] **RAIL GRADE CROSSING**  
 1 - NOT INVOLVED 2 - INVOLVED-ACTIVE CROSSING 3 - INVOLVED-PASSIVE CROSSING [ 1 ]

**UNIT / NON-MOTORIST DIRECTION**  
 FROM [ 4 ] TO [ 3 ]  
 1 - NORTH 5 - NORTHEAST 2 - SOUTH 6 - NORTHWEST 3 - EAST 7 - SOUTHEAST 4 - WEST 8 - SOUTHWEST 9 - OTHER / UNKNOWN

**UNIT SPEED** [ 0 ] **DETECTED SPEED**  
 1 - STATED / ESTIMATED SPEED  
**POSTED SPEED** [ 5 ] 1 [ ] 2 - CALCULATED / EDR 3 - UNDETERMINED

OWNER

VEHICLE

EVENTS



# MOTORIST / Non-MOTORIST

LOCAL REPORT NUMBER

000210033410

UNIT #	NAME: LAST, FIRST, MIDDLE				DATE OF BIRTH		AGE	GENDER				
ADDRESS: STREET, CITY, STATE, ZIP					CONTACT PHONE - INCLUDE AREA CODE							
INJURIES	INJURED TAKEN BY	EMS AGENCY (NAME)	INJURED TAKEN TO: MEDICAL FACILITY (NAME, CITY)		SAFETY EQUIPMENT USED	<input type="checkbox"/> DOT-COMPLIANT <input type="checkbox"/> MC HELMET	SEATING POSITION	AIR BAG USAGE	EJECTION	TRAPPED		
OL STATE	OPERATOR LICENSE NUMBER		OFFENSE CHARGED		LOCAL CODE	OFFENSE DESCRIPTION			CITATION NUMBER			
OL CLASS	ENDORSEMENT	RESTRICTION SELECT UP TO 3	DRIVER DISTRACTED BY	ALCOHOL / DRUG SUSPECTED <input type="checkbox"/> ALCOHOL <input type="checkbox"/> MARIJUANA <input type="checkbox"/> OTHER DRUG		CONDITION	ALCOHOL TEST		DRUG TEST(S)			
						STATUS		TYPE	VALUE	STATUS	TYPE	RESULTS SELECT UP TO 4

UNIT #	NAME: LAST, FIRST, MIDDLE				DATE OF BIRTH		AGE	GENDER				
ADDRESS: STREET, CITY, STATE, ZIP					CONTACT PHONE - INCLUDE AREA CODE							
INJURIES	INJURED TAKEN BY	EMS AGENCY (NAME)	INJURED TAKEN TO: MEDICAL FACILITY (NAME, CITY)		SAFETY EQUIPMENT USED	<input type="checkbox"/> DOT-COMPLIANT <input type="checkbox"/> MC HELMET	SEATING POSITION	AIR BAG USAGE	EJECTION	TRAPPED		
OL STATE	OPERATOR LICENSE NUMBER		OFFENSE CHARGED		LOCAL CODE	OFFENSE DESCRIPTION			CITATION NUMBER			
OL CLASS	ENDORSEMENT	RESTRICTION SELECT UP TO 3	DRIVER DISTRACTED BY	ALCOHOL / DRUG SUSPECTED <input type="checkbox"/> ALCOHOL <input type="checkbox"/> MARIJUANA <input type="checkbox"/> OTHER DRUG		CONDITION	ALCOHOL TEST		DRUG TEST(S)			
						STATUS		TYPE	VALUE	STATUS	TYPE	RESULTS SELECT UP TO 4

UNIT #	NAME: LAST, FIRST, MIDDLE				DATE OF BIRTH		AGE	GENDER				
ADDRESS: STREET, CITY, STATE, ZIP					CONTACT PHONE - INCLUDE AREA CODE							
INJURIES	INJURED TAKEN BY	EMS AGENCY (NAME)	INJURED TAKEN TO: MEDICAL FACILITY (NAME, CITY)		SAFETY EQUIPMENT USED	<input type="checkbox"/> DOT-COMPLIANT <input type="checkbox"/> MC HELMET	SEATING POSITION	AIR BAG USAGE	EJECTION	TRAPPED		
OL STATE	OPERATOR LICENSE NUMBER		OFFENSE CHARGED		LOCAL CODE	OFFENSE DESCRIPTION			CITATION NUMBER			
OL CLASS	ENDORSEMENT	RESTRICTION SELECT UP TO 3	DRIVER DISTRACTED BY	ALCOHOL / DRUG SUSPECTED <input type="checkbox"/> ALCOHOL <input type="checkbox"/> MARIJUANA <input type="checkbox"/> OTHER DRUG		CONDITION	ALCOHOL TEST		DRUG TEST(S)			
						STATUS		TYPE	VALUE	STATUS	TYPE	RESULTS SELECT UP TO 4

INJURIES	SEATING POSITION	AIR BAG	OL CLASS	OL RESTRICTION(S)	DRIVER DISTRACTION	TEST STATUS
1 - FATAL	1 - FRONT - LEFT SIDE (MOTORCYCLE DRIVER)	1 - NOT DEPLOYED	1 - CLASS A	1 - ALCOHOL INTERLOCK DEVICE	1 - NOT DISTRACTED	1 - NONE GIVEN
2 - SUSPECTED SERIOUS INJURY	2 - FRONT - MIDDLE	2 - DEPLOYED FRONT	2 - CLASS B	2 - CDL INTRASTATE ONLY	2 - MANUALLY OPERATING AN ELECTRONIC COMMUNICATION DEVICE (TEXTING, TYPING, DIALING)	2 - TEST REFUSED
3 - SUSPECTED MINOR INJURY	3 - FRONT - RIGHT SIDE	3 - DEPLOYED SIDE	3 - CLASS C	3 - CORRECTIVE LENSES	3 - TALKING ON HANDS-FREE COMMUNICATION DEVICE	3 - CONTAMINATED SAMPLE / UNUSABLE
4 - POSSIBLE INJURY	4 - SECOND - LEFT SIDE (MOTORCYCLE PASSENGER)	4 - DEPLOYED BOTH FRONT/SIDE	4 - REGULAR CLASS (OHIO = D)	4 - FARM WAIVER	4 - TALKING ON HAND-HELD COMMUNICATION DEVICE	4 - TEST GIVEN, RESULTS KNOWN
5 - NO APPARENT INJURY	5 - SECOND - MIDDLE	5 - NOT APPLICABLE	5 - M/C MOPED ONLY	5 - EXCEPT CLASS A BUS & CLASS B BUS	5 - OTHER ACTIVITY WITH AN ELECTRONIC DEVICE	5 - TEST GIVEN, RESULTS UNKNOWN
	6 - SECOND - RIGHT SIDE	9 - DEPLOYMENT UNKNOWN	6 - NO VALID OL	6 - EXCEPT CLASS A	6 - PASSENGER	
	7 - THIRD - LEFT SIDE (MOTORCYCLE SIDE CAR)			7 - EXCEPT TRACTOR-TRAILER	7 - LIMITED TO DAYLIGHT ONLY	
	8 - THIRD - MIDDLE	<b>EJECTION</b>		8 - INTERMEDIATE LICENSE RESTRICTIONS	8 - OTHER DISTRACTION INSIDE THE VEHICLE	<b>ALCOHOL TEST TYPE</b>
	9 - THIRD - RIGHT SIDE	1 - NOT EJECTED		9 - LEARNER'S PERMIT RESTRICTIONS	9 - OTHER DISTRACTION OUTSIDE THE VEHICLE	1 - NONE
	10 - SLEEPER SECTION OF TRUCK CAB	2 - PARTIALLY EJECTED	<b>OL ENDORSEMENT</b>	10 - LIMITED TO EMPLOYMENT	9 - OTHER / UNKNOWN	2 - BLOOD
	11 - PASSENGER IN OTHER ENCLOSED CARGO AREA (NON-TRAILING UNIT, BUS, PICK-UP WITH CAP)	3 - TOTALLY EJECTED	H - HAZMAT	11 - LIMITED TO EMPLOYMENT		3 - URINE
	12 - PASSENGER IN UNENCLOSED CARGO AREA	4 - NOT APPLICABLE	M - MOTORCYCLE	12 - LIMITED - OTHER	<b>CONDITION</b>	4 - BREATH
	13 - TRAILING UNIT	<b>TRAPPED</b>	P - PASSENGER	13 - MECHANICAL DEVICES (SPECIAL BRAKES, HAND CONTROLS, OR OTHER ADAPTIVE DEVICES)	1 - APPARENTLY NORMAL	5 - OTHER
	14 - RIDING ON VEHICLE EXTERIOR (NON-TRAILING UNIT)	1 - NOT TRAPPED	N - TANKER	14 - MILITARY VEHICLES ONLY	2 - PHYSICAL IMPAIRMENT	<b>DRUG TEST TYPE</b>
	15 - NON-MOTORIST	2 - EXTRICATED BY MECHANICAL MEANS	Q - MOTOR SCOOTER	15 - MOTOR VEHICLES WITHOUT AIR BRAKES	3 - EMOTIONAL (E.G., DEPRESSED, ANGRY, DISTURBED)	1 - NONE
	99 - OTHER / UNKNOWN	3 - FREED BY NON-MECHANICAL MEANS	R - THREE-WHEEL MOTORCYCLE	16 - OUTSIDE MIRROR	4 - ILLNESS	2 - BLOOD
			S - SCHOOL BUS	17 - PROSTHETIC AID	5 - FELL ASLEEP, FAINTED, FATIGUED, ETC.	3 - URINE
			T - DOUBLE & TRIPLE TRAILERS	18 - OTHER	6 - UNDER THE INFLUENCE OF MEDICATIONS / DRUGS / ALCOHOL	4 - OTHER
			X - TANKER / HAZMAT		9 - OTHER / UNKNOWN	<b>DRUG TEST RESULT(S)</b>
						1 - AMPHETAMINES
			<b>GENDER</b>			2 - BARBITURATES
			F - FEMALE			3 - BENZODIAZEPINES
			M - MALE			4 - CANNABINOIDS
			U - OTHER / UNKNOWN			5 - COCAINE
						6 - OPIATES / OPIOIDS
						7 - OTHER
						8 - NEGATIVE RESULTS

# OCCUPANT / WITNESS ADDENDUM

LOCAL REPORT NUMBER  
000210033410

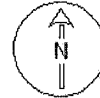
<b>OCCUPANT</b>	UNIT #	NAME: LAST, FIRST, MIDDLE			DATE OF BIRTH		AGE	GENDER	
	ADDRESS: STREET, CITY, STATE, ZIP				CONTACT PHONE - INCLUDE AREA CODE				
	INJURIES	INJURED TAKEN BY	EMS AGENCY (NAME)	INJURED TAKEN TO: MEDICAL FACILITY (NAME, CITY)	SAFETY EQUIPMENT	<input type="checkbox"/> DOT-COMPLIANT MC HELMET	SEATING POSITION	AIR BAG USAGE	EJECTION
<b>OCCUPANT</b>	UNIT #	NAME: LAST, FIRST, MIDDLE			DATE OF BIRTH		AGE	GENDER	
	ADDRESS: STREET, CITY, STATE, ZIP				CONTACT PHONE - INCLUDE AREA CODE				
	INJURIES	INJURED TAKEN BY	EMS AGENCY (NAME)	INJURED TAKEN TO: MEDICAL FACILITY (NAME, CITY)	SAFETY EQUIPMENT	<input type="checkbox"/> DOT-COMPLIANT MC HELMET	SEATING POSITION	AIR BAG USAGE	EJECTION
<b>OCCUPANT</b>	UNIT #	NAME: LAST, FIRST, MIDDLE			DATE OF BIRTH		AGE	GENDER	
	ADDRESS: STREET, CITY, STATE, ZIP				CONTACT PHONE - INCLUDE AREA CODE				
	INJURIES	INJURED TAKEN BY	EMS AGENCY (NAME)	INJURED TAKEN TO: MEDICAL FACILITY (NAME, CITY)	SAFETY EQUIPMENT	<input type="checkbox"/> DOT-COMPLIANT MC HELMET	SEATING POSITION	AIR BAG USAGE	EJECTION
<b>OCCUPANT</b>	UNIT #	NAME: LAST, FIRST, MIDDLE			DATE OF BIRTH		AGE	GENDER	
	ADDRESS: STREET, CITY, STATE, ZIP				CONTACT PHONE - INCLUDE AREA CODE				
	INJURIES	INJURED TAKEN BY	EMS AGENCY (NAME)	INJURED TAKEN TO: MEDICAL FACILITY (NAME, CITY)	SAFETY EQUIPMENT	<input type="checkbox"/> DOT-COMPLIANT MC HELMET	SEATING POSITION	AIR BAG USAGE	EJECTION

INJURIES	SAFETY EQUIPMENT USED	SEATING POSITION	AIR BAG USAGE
1 - FATAL	1 - NONE USED - VEHICLE OCCUPANT	1 - FRONT - LEFT SIDE (MOTORCYCLE DRIVER)	1 - NOT DEPLOYED
2 - SUSPECTED SERIOUS INJURY	2 - SHOULDER BELT ONLY USED	2 - FRONT - MIDDLE	2 - DEPLOYED FRONT
3 - SUSPECTED MINOR INJURY	3 - LAP BELT ONLY USED	3 - FRONT - RIGHT SIDE	3 - DEPLOYED SIDE
4 - POSSIBLE INJURY	4 - SHOULDER & LAP BELT USED	4 - SECOND - LEFT SIDE (MOTORCYCLE PASSENGER)	4 - DEPLOYED BOTH FRONT/SIDE
5 - NO APPARENT INJURY	5 - CHILD RESTRAINT SYSTEM - FORWARD FACING	5 - SECOND - MIDDLE	5 - NOT APPLICABLE
	6 - CHILD RESTRAINT SYSTEM - REAR FACING	6 - SECOND - RIGHT SIDE	9 - DEPLOYMENT UNKNOWN
	7 - BOOSTER SEAT	7 - THIRD - LEFT SIDE (MOTORCYCLE SIDE CAR)	
	8 - HELMET USED	8 - THIRD - MIDDLE	
	9 - PROTECTIVE PADS USED (ELBOWS, KNEES, ETC)	9 - THIRD - RIGHT SIDE	
	10 - REFLECTIVE CLOTHING	10 - SLEEPER SECTION OF TRUCK CAB	
	11 - LIGHTING - PEDESTRIAN / BICYCLE ONLY	11 - PASSENGER IN OTHER ENCLOSED CARGO AREA (NON-TRAILING UNIT SUCH AS A BUS, PICK-UP WITH CAP)	
	99 - OTHER / UNKNOWN	12 - PASSENGER IN UNENCLOSED CARGO AREA	
		13 - TRAILING UNIT	
		14 - RIDING ON VEHICLE EXTERIOR (NON-TRAILING UNIT)	
		15 - NON-MOTORIST	
		99 - OTHER / UNKNOWN	

<b>WITNESS</b>	NAME: LAST, FIRST, MIDDLE	DATE OF BIRTH		AGE	GENDER	
	ADDRESS: STREET, CITY, STATE, ZIP				CONTACT PHONE - INCLUDE AREA CODE	
	NAME: LAST, FIRST, MIDDLE	DATE OF BIRTH		AGE	GENDER	
<b>WITNESS</b>	NAME: LAST, FIRST, MIDDLE	DATE OF BIRTH		AGE	GENDER	
	ADDRESS: STREET, CITY, STATE, ZIP				CONTACT PHONE - INCLUDE AREA CODE	
	NAME: LAST, FIRST, MIDDLE	DATE OF BIRTH		AGE	GENDER	
<b>WITNESS</b>	NAME: LAST, FIRST, MIDDLE	DATE OF BIRTH		AGE	GENDER	
	ADDRESS: STREET, CITY, STATE, ZIP				CONTACT PHONE - INCLUDE AREA CODE	

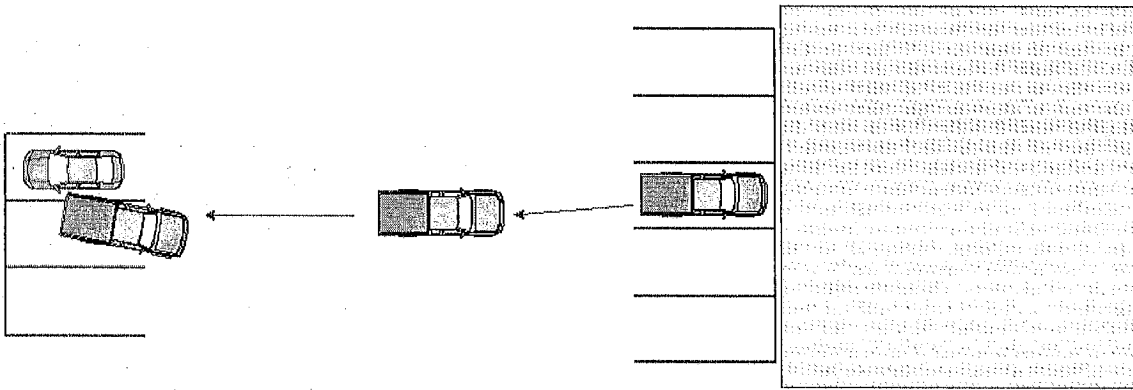
OHIO TRAFFIC ACCIDENT - OH2 DIAGRAM

LOCAL REPORT NUMBER <b>000210033410</b>	REPORTING AGENCY <b>Clermont County Sheriff</b>	Date Of Crash <b>09/22/2021</b>
IN COUNTY OF <b>Clermont County</b>	ACCIDENT LOCATION <b>Winemiller</b>	



Not To Scale

2195 Winemiller Road



OFFICERS SIGNATURE

BADGE NO.

**R3052**