

# TRAFFIC CRASH REPORT

\*DENOTES MANDATORY FIELD FOR SUPPLEMENT REPORT

LOCAL REPORT NUMBER \*

000220020462

<input checked="" type="checkbox"/> PHOTOS TAKEN <input type="checkbox"/> SECONDARY CRASH		<input checked="" type="checkbox"/> OH-2 <input type="checkbox"/> OH-3 <input type="checkbox"/> OH-1P <input type="checkbox"/> OTHER		LOCAL INFORMATION REPORTING AGENCY NAME * Clermont County Sheriff		NCIC * 01300		HIT/SKIP 1 - SOLVED 2 - UNSOLVED 1		NUMBER OF UNITS 1		UNIT IN ERROR 98 - ANIMAL 99 - UNKNOWN 1	
COUNTY* 13		LOCALITY* 1 - CITY 2 - VILLAGE 3 - TOWNSHIP 3		LOCATION: CITY, VILLAGE, TOWNSHIP* Batavia		CRASH DATE / TIME* 06/29/2022 12:34		CRASH SEVERITY 1 - FATAL 2 - SERIOUS INJURY SUSPECTED 3 - MINOR INJURY SUSPECTED 4 - INJURY POSSIBLE 5 - PROPERTY DAMAGE ONLY 5					
LOCATION	ROUTE TYPE	ROUTE NUMBER	PREFIX 1 - NORTH 2 - SOUTH 3 - EAST 4 - WEST	LOCATION ROAD NAME		ROAD TYPE	LATITUDE DECIMAL DEGREES						
				Thomaston		DR	39.055526						
REFERENCE	ROUTE TYPE	ROUTE NUMBER	PREFIX 1 - NORTH 2 - SOUTH 3 - EAST 4 - WEST	REFERENCE ROAD NAME (ROAD, MILEPOST, HOUSE #)		ROAD TYPE	LONGITUDE DECIMAL DEGREES						
				Amelia Olive Branch		RD	-84.222366						
REFERENCE POINT 1 - INTERSECTION 2 - MILE POST 3 - HOUSE #		DIRECTION FROM REFERENCE 1 - NORTH 2 - SOUTH 3 - EAST 4 - WEST		ROUTE TYPE IR - INTERSTATE ROUTE (TP) US - FEDERAL US ROUTE SR - STATE ROUTE CR - NUMBERED COUNTY ROUTE TR - NUMBERED TOWNSHIP ROUTE		ROAD TYPE AL - ALLEY    HW - HIGHWAY    RD - ROAD AV - AVENUE    LA - LANE    SQ - SQUARE BL - BOULEVARD    MP - MILEPOST    ST - STREET CR - CIRCLE    OV - OVAL    TE - TERRACE CT - COURT    PK - PARKWAY    TL - TRAIL DR - DRIVE    PI - PIKE    WA - WAY HE - HEIGHTS    PL - PLACE		INTERSECTION RELATED <input type="checkbox"/> WITHIN INTERSECTION OR ON APPROACH <input type="checkbox"/> WITHIN INTERCHANGE AREA    NUMBER OF APPROACHES					
DISTANCE FROM REFERENCE 400.00		DISTANCE UNIT OF MEASURE 1 - MILES 2 - FEET 3 - YARDS						ROADWAY <input type="checkbox"/> ROADWAY DIVIDED					
LOCATION OF FIRST HARMFUL EVENT 1 - ON ROADWAY 2 - ON SHOULDER 3 - IN MEDIAN 4 - ON ROADSIDE 5 - ON GORE 6 - OUTSIDE TRAFFIC WAY 7 - ON RAMP 8 - OFF RAMP				MANNER OF CRASH COLLISION/IMPACT 1 - NOT COLLISION BETWEEN TWO MOTOR VEHICLES IN TRANSPORT 2 - REAR-END 3 - HEAD-ON 9 - OTHER / UNKNOWN				DIRECTION OF TRAVEL 1 - NORTH 2 - SOUTH 3 - EAST 4 - WEST		MEDIAN TYPE 1 - DIVIDED FLUSH MEDIAN (<4 FEET) 2 - DIVIDED FLUSH MEDIAN (≥4 FEET) 3 - DIVIDED, DEPRESSED MEDIAN 4 - DIVIDED, RAISED MEDIAN (ANY TYPE) 9 - OTHER / UNKNOWN			
<input type="checkbox"/> WORK ZONE RELATED <input type="checkbox"/> WORKERS PRESENT <input type="checkbox"/> LAW ENFORCEMENT PRESENT <input type="checkbox"/> ACTIVE SCHOOL ZONE		WORK ZONE TYPE 1 - LANE CLOSURE 2 - LANE SHIFT/ CROSSOVER 3 - WORK ON SHOULDER OR MEDIAN 4 - INTERMITTENT OR MOVING WORK 5 - OTHER		LOCATION OF CRASH IN WORK ZONE 1 - BEFORE THE 1ST WORK ZONE WARNING SIGN 2 - ADVANCE WARNING AREA 3 - TRANSITION AREA 4 - ACTIVITY AREA 5 - TERMINATION AREA		CONTOUR 2		CONDITIONS 1		SURFACE 1			
LIGHT CONDITION 1 - DAYLIGHT 2 - DAWN/DUSK 3 - DARK - LIGHTED ROADWAY 4 - DARK - ROADWAY NOT LIGHTED 5 - DARK - UNKNOWN ROADWAY LIGHTING 9 - OTHER / UNKNOWN			WEATHER 1 - CLEAR 2 - CLOUDY 3 - FOG, SMOG, SMOKE 4 - RAIN 5 - SLEET, HAIL 6 - SNOW 7 - SEVERE CROSSWINDS 8 - BLOWING SAND, SOIL, DIRT, SNOW 9 - FREEZING RAIN OR FREEZING DRIZZLE 99 - OTHER / UNKNOWN										
NARRATIVE On 24 June 2022 at 1234 hours I responded to 1496 Apt. D, Thomaston Dr. Batavia Township, Clermont County for a motor vehicle crash. Upon arriving on scene and meeting with the driver I could see the front of her apartment had her balcony support missing and the south side of her door frame and wall was smashed in. Upon talking with the driver I was advised she put her foot on the brake to start the car and her foot slipped off the brake. She then stated she "freaked out" and next thing she knew she was in her living room.													
CRASH REPORTED DATE / TIME 06/29/2022 12:34		DISPATCH DATE / TIME 06/29/2022 12:35		ARRIVAL DATE / TIME 06/29/2022 12:38		SCENE CLEARED DATE / TIME 06/29/2022 13:20		REPORT TAKEN BY <input checked="" type="checkbox"/> POLICE AGENCY <input type="checkbox"/> MOTORIST					
TOTAL TIME ROADWAY CLOSED 0	OTHER INVESTIGATION TIME 0	TOTAL MINUTES 45	OFFICER'S NAME* Deimling, Cassidy		CHECKED BY OFFICER'S NAME* Rudd, Jeffrey		<input checked="" type="checkbox"/> SUPPLEMENT (CORRECTION OR ADDITION TO AN EXISTING REPORT SENT TO ODPS)						
			OFFICER'S BADGE NUMBER* R12109		CHECKED BY OFFICER'S BADGE NUMBER* R3052								

**OWNER**

UNIT # 1 OWNER NAME: LAST, FIRST, MIDDLE (  SAME AS DRIVER )  
 GROVE, ALICE, MARJORIE

OWNER ADDRESS: STREET, CITY, STATE, ZIP (  SAME AS DRIVER )  
 1507 THOMASON DR APT A , AMELIA, OH, 45102

COMMERCIAL CARRIER: NAME, ADDRESS, CITY, STATE, ZIP

OWNER PHONE: INCLUDE AREA CODE (  SAME AS DRIVER )

**DAMAGE**

DAMAGE SCALE

1 - NONE  
2 2 - MINOR DAMAGE  
 3 - FUNCTIONAL DAMAGE  
 4 - DISABLING DAMAGE  
 9 - UNKNOWN

**VEHICLE**

LP STATE OH LICENSE PLATE # EDW7200 VEHICLE IDENTIFICATION # 1FAHP36N37W143427 VEHICLE YEAR 2007 VEHICLE MAKE FORD

INSURANCE VERIFIED INSURANCE COMPANY PROGRESSIVE INSURANCE POLICY # 58205074 COLOR WHI VEHICLE MODEL FOCUS

TYPE OF USE  
 COMMERCIAL  GOVERNMENT  IN EMERGENCY RESPONSE

US DOT #                      TOWED BY: COMPANY NAME                     

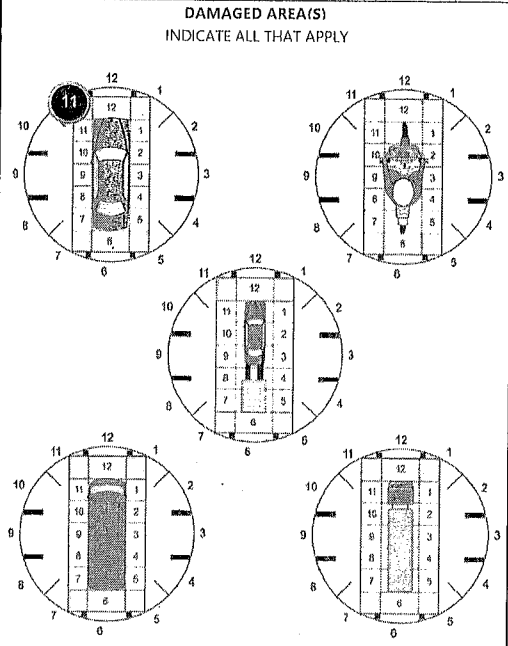
HAZARDOUS MATERIAL  
 MATERIAL CLASS #                      PLACARD ID #                       
 RELEASED  
 PLACARD

VEHICLE WEIGHT GVWR/GCWR  
 1 - ≤ 10K LBS.  
 2 - 10,001 - 26K LBS.  
 3 - > 26K LBS.

UNIT TYPE 1

1 - PASSENGER CAR 6 - VAN (9-15 SEATS) 12 - GOLF CART 18 - LIMO (LIVERY VEHICLE) 23 - PEDESTRIAN/SKATER  
 2 - PASSENGER VAN (MINIVAN) 7 - MOTORCYCLE 2-WHEELED 13 - SNOWMOBILE 19 - BUS (16+ PASSENGERS) 24 - WHEELCHAIR (ANY TYPE)  
 3 - SPORT UTILITY VEHICLE 8 - MOTORCYCLE 3-WHEELED 14 - SINGLE UNIT TRUCK 20 - OTHER VEHICLE 25 - OTHER NON-MOTORIST  
 4 - PICK UP 9 - AUTOCYCLE 15 - SEMI-TRACTOR 21 - HEAVY EQUIPMENT 26 - BICYCLE  
 5 - CARGO VAN 10 - MOPED OR MOTORIZED BICYCLE 16 - FARM EQUIPMENT 22 - ANIMAL WITH RIDER OR ANIMAL-DRAWN VEHICLE 27 - TRAIN  
 11 - ALL TERRAIN VEHICLE (ATV/UTV) 17 - MOTORHOME 99 - UNKNOWN OR HIT/SKIP

# OF TRAILING UNITS                     



WAS VEHICLE OPERATING IN AUTONOMOUS MODE WHEN CRASH OCCURRED?  
2 1 - YES 2 - NO 9 - OTHER / UNKNOWN AUTONOMOUS MODE LEVEL  
0 0 - NO AUTOMATION 3 - CONDITIONAL AUTOMATION 9 - UNKNOWN  
 1 - DRIVER ASSISTANCE 4 - HIGH AUTOMATION 5 - FULL AUTOMATION

SPECIAL FUNCTION 1

1 - NONE 6 - BUS - CHARTER/TOUR 11 - FIRE 16 - FARM 21 - MAIL CARRIER  
 2 - TAXI 7 - BUS - INTERCITY 12 - MILITARY 17 - MOWING 99 - OTHER / UNKNOWN  
 3 - ELECTRONIC RIDE SHARING 8 - BUS - SHUTTLE 13 - POLICE 18 - SNOW REMOVAL  
 4 - SCHOOL TRANSPORT 9 - BUS - OTHER 14 - PUBLIC UTILITY 19 - TOWING  
 5 - BUS - TRANSIT/COMMUTER 10 - AMBULANCE 15 - CONSTRUCTION EQUIP. 20 - SAFETY SERVICE PATROL

CARGO BODY TYPE 1

1 - NO CARGO BODY TYPE / NOT APPLICABLE 4 - LOGGING 7 - GRAIN/CHIPS/GRAVEL 11 - DUMP 99 - OTHER / UNKNOWN  
 2 - BUS 5 - INTERMODAL CONTAINER CHASSIS 8 - POLE 12 - CONCRETE MIXER  
 3 - VEHICLE TOWING ANOTHER MOTOR VEHICLE 6 - CARGOVAN / ENCLOSED BOX 9 - CARGO TANK 13 - AUTO TRANSPORTER  
 10 - FLAT BED 14 - GARBAGE/REFUSE

VEHICLE DEFECTS                     

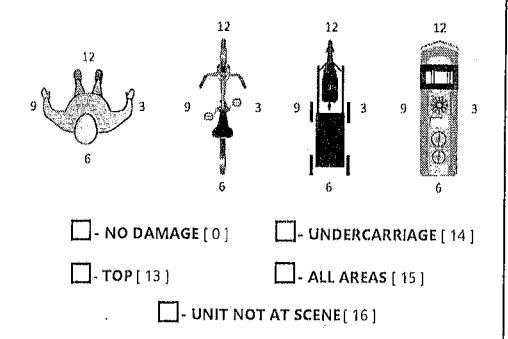
1 - TURN SIGNALS 4 - BRAKES 7 - WORN OR SLICK TIRES 9 - MOTOR TROUBLE 99 - OTHER / UNKNOWN  
 2 - HEAD LAMPS 5 - STEERING 8 - TRAILER EQUIPMENT DEFECTIVE 10 - DISABLED FROM PRIOR ACCIDENT  
 3 - TAIL LAMPS 6 - TIRE BLOWOUT

NON-MOTORIST LOCATION AT IMPACT                     

1 - INTERSECTION - MARKED CROSSWALK 4 - MIDBLOCK - MARKED CROSSWALK 7 - SHOULDER/ROADSIDE 10 - DRIVEWAY ACCESS 99 - OTHER / UNKNOWN  
 2 - INTERSECTION - UNMARKED CROSSWALK 5 - TRAVEL LANE - OTHER LOCATION 8 - SIDEWALK 11 - SHARED USE PATHS OR TRAILS  
 3 - INTERSECTION - OTHER 6 - BICYCLE LANE 9 - MEDIUM/CROSSING ISLAND 12 - FIRST RESPONDER AT INCIDENT SCENE

ACTION 3 PRE-CRASH ACTIONS 1

1 - NON-CONTACT 1 - STRAIGHT AHEAD 9 - LEAVING TRAFFIC LANE 15 - WALKING, RUNNING, JOGGING, PLAYING 21 - STANDING OUTSIDE DISABLED VEHICLE  
 2 - NON-COLLISION 2 - BACKING 10 - PARKED 16 - WORKING 99 - OTHER / UNKNOWN  
 3 - STRIKING 3 - CHANGING LANES 11 - SLOWING OR STOPPED IN TRAFFIC 17 - PUSHING VEHICLE  
 4 - STRUCK 4 - OVERTAKING/PASSING 12 - DRIVERLESS 18 - APPROACHING OR LEAVING VEHICLE  
 5 - BOTH STRIKING & STRUCK 5 - MAKING RIGHT TURN 13 - NEGOTIATING A CURVE 19 - STANDING  
 6 - MAKING LEFT TURN 8 - ENTERING TRAFFIC LANE 14 - ENTERING OR CROSSING SPECIFIED LOCATION 20 - OTHER NON-MOTORIST  
 9 - OTHER / UNKNOWN



INITIAL POINT OF CONTACT 11

0 - NO DAMAGE 14 - UNDERCARRIAGE  
 1-12 - REFER TO UNIT DIAGRAM 15 - VEHICLE NOT AT SCENE  
 13 - TOP 99 - UNKNOWN

CONTRIBUTING CIRCUMSTANCES 13

1 - NONE 8 - FOLLOWING TOO CLOSE JACDA 13 - IMPROPER START FROM A PARKED POSITION 18 - OPERATING DEFECTIVE EQUIPMENT 23 - OPENING DOOR INTO ROADWAY  
 2 - FAILURE TO YIELD 9 - IMPROPER LANE CHANGE 14 - STOPPED OR PARKED ILLEGALLY 19 - LOAD SHIFTING / FALLING / SPILLING 99 - OTHER IMPROPER ACTION  
 3 - RAN RED LIGHT 10 - IMPROPER PASSING 15 - SWERVING TO AVOID 20 - IMPROPER CROSSING  
 4 - RAN STOP SIGN 11 - DROVE OFF ROAD 16 - WRONG WAY 21 - LYING IN ROADWAY  
 5 - UNSAFE SPEED 12 - IMPROPER BACKING 17 - VISION OBSTRUCTION 22 - NOT DISCERNIBLE  
 6 - IMPROPER TURN 7 - LEFT OF CENTER

**TRAFFIC**

TRAFFICWAY FLOW                     

1 - ONE-WAY  
 2 - TWO-WAY

TRAFFIC CONTROL 6

1 - ROUNDABOUT 4 - STOP SIGN  
 2 - SIGNAL 5 - YIELD SIGN  
 3 - FLASHER 6 - NO CONTROL

**EVENTS**

SEQUENCE OF EVENTS

1 52 1 - OVERTURN/ROLLOVER 7 - SEPARATION OF UNITS 12 - DOWNHILL RUNAWAY 19 - ANIMAL - OTHER 23 - STRUCK BY FALLING, SHIFTING CARGO OR ANYTHING SET IN MOTION BY A MOTOR VEHICLE  
 2                      2 - FIRE/EXPLOSION 8 - RAN OFF ROAD RIGHT 13 - OTHER NON-COLLISION 20 - MOTOR VEHICLE IN TRANSPORT  
 3                      3 - IMMERSION 9 - RAN OFF ROAD LEFT 14 - PEDESTRIAN 21 - PARKED MOTOR VEHICLE  
 4                      4 - JACKKNIFE 10 - CROSS MEDIAN 15 - PEDALCYCLE 22 - WORK ZONE MAINTENANCE EQUIPMENT  
 5                      5 - CARGO / EQUIPMENT LOSS OR SHIFT 11 - CROSS CENTERLINE - OPPOSITE DIRECTION OF TRAVEL 16 - RAILWAY VEHICLE 24 - OTHER MOVABLE OBJECT  
 6                      6 - EQUIPMENT FAILURE

**COLLISION WITH FIXED OBJECT - STRUCK**

25 - IMPACT ATTENUATOR / CRASH CUSHION 31 - GUARDRAIL END 38 - OVERHEAD SIGN POST 45 - EMBANKMENT 52 - BUILDING  
 26 - BRIDGE OVERHEAD STRUCTURE 32 - PORTABLE BARRIER 39 - LIGHT / LUMINARIES 46 - FENCE 53 - TUNNEL  
 27 - BRIDGE PIER OR ABUTMENT 33 - MEDIAN CABLE BARRIER 40 - UTILITY POLE 47 - MAILBOX 54 - OTHER FIXED OBJECT  
 28 - BRIDGE PARAPET 34 - MEDIAN GUARDRAIL BARRIER 41 - OTHER POST, POLE OR SUPPORT 48 - TREE 99 - OTHER / UNKNOWN  
 29 - BRIDGE RAIL 35 - MEDIAN CONCRETE BARRIER 42 - CULVERT 49 - FIRE HYDRANT  
 30 - GUARDRAIL FACE 36 - MEDIAN OTHER BARRIER 43 - CURB 50 - WORK ZONE MAINTENANCE EQUIPMENT  
 37 - TRAFFIC SIGN POST 44 - DITCH 51 - WALL

FIRST HARMFUL EVENT 1 MOST HARMFUL EVENT 1

# OF THROUGH LANES ON ROAD 1

RAIL GRADE CROSSING                     

1 - NOT INVOLVED  
 2 - INVOLVED-ACTIVE CROSSING  
 3 - INVOLVED-PASSIVE CROSSING

UNIT / NON-MOTORIST DIRECTION

FROM 4 TO 3

1 - NORTH 5 - NORTHEAST  
 2 - SOUTH 6 - NORTHWEST  
 3 - EAST 7 - SOUTHEAST  
 4 - WEST 8 - SOUTHWEST  
 9 - OTHER / UNKNOWN

UNIT SPEED 10

POSTED SPEED 25

DETECTED SPEED                     

1 - STATED / ESTIMATED SPEED  
 2 - CALCULATED / EDR  
 3 - UNDETERMINED



# MOTORIST / Non-MOTORIST

LOCAL REPORT NUMBER  
000220020462

UNIT # 1	NAME: LAST, FIRST, MIDDLE GROVE, ALICE, MARJORIE				DATE OF BIRTH 12/29/1941		AGE 80	GENDER F		
ADDRESS: STREET, CITY, STATE, ZIP 1507 THOMASON DR APT A , AMELIA, OH, 45102					CONTACT PHONE - INCLUDE AREA CODE [REDACTED]					
INJURIES 5	INJURED TAKEN BY 1	EMS AGENCY (NAME)	INJURED TAKEN TO: MEDICAL FACILITY (NAME, CITY)		SAFETY EQUIPMENT USED 4	<input type="checkbox"/> DOT-COMPLIANT <input checked="" type="checkbox"/> MC HELMET	SEATING POSITION 1	AIR BAG USAGE 1	EJECTION 1	TRAPPED 1
OL STATE OH	OPERATOR LICENSE NUMBER [REDACTED]		OFFENSE CHARGED		LOCAL CODE <input type="checkbox"/>	OFFENSE DESCRIPTION			CITATION NUMBER	
OL CLASS 4	ENDORSEMENT	RESTRICTION SELECT UP TO 3	DRIVER DISTRACTED BY 1	ALCOHOL / DRUG SUSPECTED <input type="checkbox"/> ALCOHOL <input type="checkbox"/> MARIJUANA <input type="checkbox"/> OTHER DRUG		CONDITION 1	ALCOHOL TEST STATUS: 1 TYPE: 1 VALUE:		DRUG TEST(S) STATUS: 1 TYPE: 1 RESULTS SELECT UP TO 4	

UNIT #	NAME: LAST, FIRST, MIDDLE				DATE OF BIRTH		AGE	GENDER		
ADDRESS: STREET, CITY, STATE, ZIP					CONTACT PHONE - INCLUDE AREA CODE					
INJURIES	INJURED TAKEN BY	EMS AGENCY (NAME)	INJURED TAKEN TO: MEDICAL FACILITY (NAME, CITY)		SAFETY EQUIPMENT USED	<input type="checkbox"/> DOT-COMPLIANT <input type="checkbox"/> MC HELMET	SEATING POSITION	AIR BAG USAGE	EJECTION	TRAPPED
OL STATE	OPERATOR LICENSE NUMBER		OFFENSE CHARGED		LOCAL CODE <input type="checkbox"/>	OFFENSE DESCRIPTION			CITATION NUMBER	
OL CLASS	ENDORSEMENT	RESTRICTION SELECT UP TO 3	DRIVER DISTRACTED BY	ALCOHOL / DRUG SUSPECTED <input type="checkbox"/> ALCOHOL <input type="checkbox"/> MARIJUANA <input type="checkbox"/> OTHER DRUG		CONDITION	ALCOHOL TEST STATUS: TYPE: VALUE:		DRUG TEST(S) STATUS: TYPE: RESULTS SELECT UP TO 4	

UNIT #	NAME: LAST, FIRST, MIDDLE				DATE OF BIRTH		AGE	GENDER		
ADDRESS: STREET, CITY, STATE, ZIP					CONTACT PHONE - INCLUDE AREA CODE					
INJURIES	INJURED TAKEN BY	EMS AGENCY (NAME)	INJURED TAKEN TO: MEDICAL FACILITY (NAME, CITY)		SAFETY EQUIPMENT USED	<input type="checkbox"/> DOT-COMPLIANT <input type="checkbox"/> MC HELMET	SEATING POSITION	AIR BAG USAGE	EJECTION	TRAPPED
OL STATE	OPERATOR LICENSE NUMBER		OFFENSE CHARGED		LOCAL CODE <input type="checkbox"/>	OFFENSE DESCRIPTION			CITATION NUMBER	
OL CLASS	ENDORSEMENT	RESTRICTION SELECT UP TO 3	DRIVER DISTRACTED BY	ALCOHOL / DRUG SUSPECTED <input type="checkbox"/> ALCOHOL <input type="checkbox"/> MARIJUANA <input type="checkbox"/> OTHER DRUG		CONDITION	ALCOHOL TEST STATUS: TYPE: VALUE:		DRUG TEST(S) STATUS: TYPE: RESULTS SELECT UP TO 4	

INJURIES	SEATING POSITION	AIR BAG	OL CLASS	OL RESTRICTION(S)	DRIVER DISTRACTION	TEST STATUS
1 - FATAL 2 - SUSPECTED SERIOUS INJURY 3 - SUSPECTED MINOR INJURY 4 - POSSIBLE INJURY 5 - NO APPARENT INJURY	1 - FRONT - LEFT SIDE (MOTORCYCLE DRIVER) 2 - FRONT - MIDDLE 3 - FRONT - RIGHT SIDE 4 - SECOND - LEFT SIDE (MOTORCYCLE PASSENGER) 5 - SECOND - MIDDLE 6 - SECOND - RIGHT SIDE 7 - THIRD - LEFT SIDE (MOTORCYCLE SIDE CAR) 8 - THIRD - MIDDLE 9 - THIRD - RIGHT SIDE 10 - SLEEPER SECTION OF TRUCK CAB 11 - PASSENGER IN OTHER ENCLOSED CARGO AREA (NON-TRAILING UNIT, BUS, PICK-UP WITH CAP) 12 - PASSENGER IN UNENCLOSED CARGO AREA 13 - TRAILING UNIT 14 - RIDING ON VEHICLE EXTERIOR (NON-TRAILING UNIT) 15 - NON-MOTORIST 99 - OTHER / UNKNOWN	1 - NOT DEPLOYED 2 - DEPLOYED FRONT 3 - DEPLOYED SIDE 4 - DEPLOYED BOTH FRONT/SIDE 5 - NOT APPLICABLE 9 - DEPLOYMENT UNKNOWN	1 - CLASS A 2 - CLASS B 3 - CLASS C 4 - REGULAR CLASS (OHIO = D) 5 - M/C MOPED ONLY 6 - NO VALID OL	1 - ALCOHOL INTERLOCK DEVICE 2 - CDL INTRASTATE ONLY 3 - CORRECTIVE LENSES 4 - FARM WAIVER 5 - EXCEPT CLASS A BUS 6 - EXCEPT CLASS A & CLASS B BUS 7 - EXCEPT TRACTOR-TRAILER 8 - INTERMEDIATE LICENSE RESTRICTIONS 9 - LEARNER'S PERMIT RESTRICTIONS 10 - LIMITED TO DAYLIGHT ONLY 11 - LIMITED TO EMPLOYMENT 12 - LIMITED - OTHER 13 - MECHANICAL DEVICES (SPECIAL BRAKES, HAND CONTROLS, OR OTHER ADAPTIVE DEVICES) 14 - MILITARY VEHICLES ONLY 15 - MOTOR VEHICLES WITHOUT AIR BRAKES 16 - DOUBLE & TRIPLE TRAILERS 17 - PROSTHETIC AID 18 - OTHER	1 - NOT DISTRACTED 2 - MANUALLY OPERATING AN ELECTRONIC COMMUNICATION DEVICE (TEXTING, TYPIING, DIALING) 3 - TALKING ON HANDS-FREE COMMUNICATION DEVICE 4 - TALKING ON HAND-HELD COMMUNICATION DEVICE 5 - OTHER ACTIVITY WITH AN ELECTRONIC DEVICE 6 - PASSENGER 7 - OTHER DISTRACTION INSIDE THE VEHICLE 8 - OTHER DISTRACTION OUTSIDE THE VEHICLE 9 - OTHER / UNKNOWN	1 - NONE GIVEN 2 - TEST REFUSED 3 - TEST GIVEN, CONTAMINATED SAMPLE / UNUSABLE 4 - TEST GIVEN, RESULTS KNOWN 5 - TEST GIVEN, RESULTS UNKNOWN
<b>INJURIES TAKEN BY</b> 1 - NOT TRANSPORTED /TREATED AT SCENE 2 - EMS 3 - POLICE 9 - OTHER / UNKNOWN		<b>EJECTION</b> 1 - NOT EJECTED 2 - PARTIALLY EJECTED 3 - TOTALLY EJECTED 4 - NOT APPLICABLE	<b>OL ENDORSEMENT</b> H - HAZMAT M - MOTORCYCLE P - PASSENGER N - TANKER Q - MOTOR SCOOTER R - THREE-WHEEL MOTORCYCLE S - SCHOOL BUS T - DOUBLE & TRIPLE TRAILERS X - TANKER / HAZMAT		<b>CONDITION</b> 1 - APPARENTLY NORMAL 2 - PHYSICAL IMPAIRMENT 3 - EMOTIONAL (E.G., DEPRESSED, ANGRY, DISTURBED) 4 - ILLNESS 5 - FELL ASLEEP, FAINTED, FATIGUED, ETC. 6 - UNDER THE INFLUENCE OF MEDICATIONS / DRUGS / ALCOHOL 9 - OTHER / UNKNOWN	<b>ALCOHOL TEST TYPE</b> 1 - NONE 2 - BLOOD 3 - URINE 4 - BREATH 5 - OTHER
<b>SAFETY EQUIPMENT</b> 1 - NONE USED 2 - SHOULDER BELT ONLY USED 3 - LAP BELT ONLY USED 4 - SHOULDER & LAP BELT USED 5 - CHILD RESTRAINT SYSTEM - FORWARD FACING 6 - CHILD RESTRAINT SYSTEM - REAR FACING 7 - BOOSTER SEAT 8 - HELMET USED 9 - PROTECTIVE PADS USED (ELBOWS, KNEES, ETC) 10 - REFLECTIVE CLOTHING 11 - LIGHTING - PEDESTRIAN / BICYCLE ONLY 99 - OTHER / UNKNOWN		<b>TRAPPED</b> 1 - NOT TRAPPED 2 - EXTRICATED BY MECHANICAL MEANS 3 - FREED BY NON-MECHANICAL MEANS	<b>GENDER</b> F - FEMALE M - MALE U - OTHER / UNKNOWN			<b>DRUG TEST TYPE</b> 1 - NONE 2 - BLOOD 3 - URINE 4 - OTHER
						<b>DRUG TEST RESULT(S)</b> 1 - AMPHETAMINES 2 - BARBITURATES 3 - BENZODIAZEPINES 4 - CANNABINOIDS 5 - COCAINE 6 - OPIATES / OPIOIDS 7 - OTHER 8 - NEGATIVE RESULTS



# OCCUPANT / WITNESS ADDENDUM

LOCAL REPORT NUMBER 000220020462		
-------------------------------------	--	--

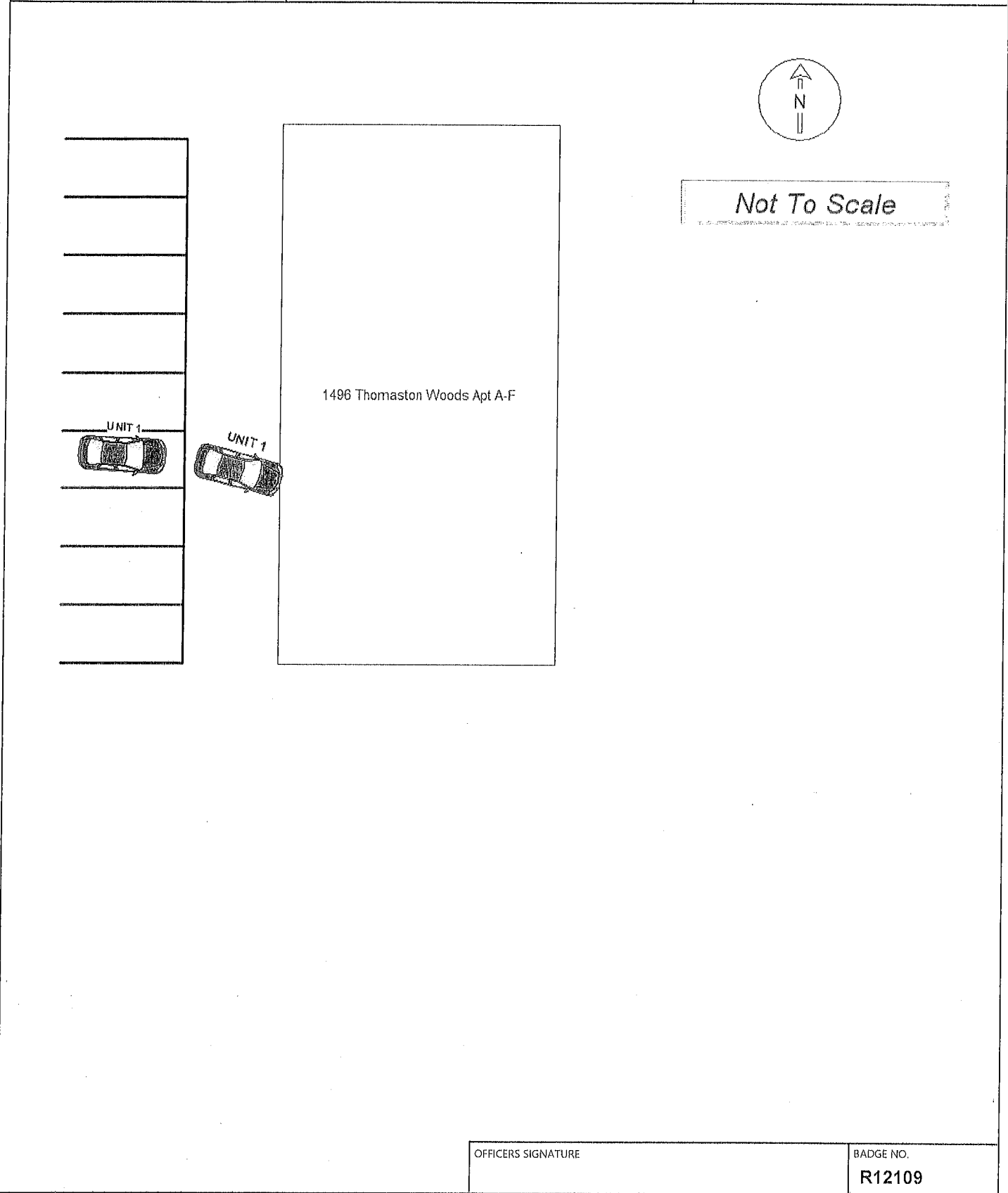
<b>OCCUPANT</b>	UNIT #	NAME: LAST, FIRST, MIDDLE				DATE OF BIRTH		AGE	GENDER	
	ADDRESS: STREET, CITY, STATE, ZIP					CONTACT PHONE - INCLUDE AREA CODE				
	INJURIES	INJURED TAKEN BY	EMS AGENCY (NAME)	INJURED TAKEN TO: MEDICAL FACILITY (NAME, CITY)	SAFETY EQUIPMENT	<input type="checkbox"/> DOT-COMPLIANT MC HELMET	SEATING POSITION	AIR BAG USAGE	EJECTION	TRAPPED
<b>OCCUPANT</b>	UNIT #	NAME: LAST, FIRST, MIDDLE				DATE OF BIRTH		AGE	GENDER	
	ADDRESS: STREET, CITY, STATE, ZIP					CONTACT PHONE - INCLUDE AREA CODE				
	INJURIES	INJURED TAKEN BY	EMS AGENCY (NAME)	INJURED TAKEN TO: MEDICAL FACILITY (NAME, CITY)	SAFETY EQUIPMENT	<input type="checkbox"/> DOT-COMPLIANT MC HELMET	SEATING POSITION	AIR BAG USAGE	EJECTION	TRAPPED
<b>OCCUPANT</b>	UNIT #	NAME: LAST, FIRST, MIDDLE				DATE OF BIRTH		AGE	GENDER	
	ADDRESS: STREET, CITY, STATE, ZIP					CONTACT PHONE - INCLUDE AREA CODE				
	INJURIES	INJURED TAKEN BY	EMS AGENCY (NAME)	INJURED TAKEN TO: MEDICAL FACILITY (NAME, CITY)	SAFETY EQUIPMENT	<input type="checkbox"/> DOT-COMPLIANT MC HELMET	SEATING POSITION	AIR BAG USAGE	EJECTION	TRAPPED
<b>OCCUPANT</b>	UNIT #	NAME: LAST, FIRST, MIDDLE				DATE OF BIRTH		AGE	GENDER	
	ADDRESS: STREET, CITY, STATE, ZIP					CONTACT PHONE - INCLUDE AREA CODE				
	INJURIES	INJURED TAKEN BY	EMS AGENCY (NAME)	INJURED TAKEN TO: MEDICAL FACILITY (NAME, CITY)	SAFETY EQUIPMENT	<input type="checkbox"/> DOT-COMPLIANT MC HELMET	SEATING POSITION	AIR BAG USAGE	EJECTION	TRAPPED

INJURIES	SAFETY EQUIPMENT USED	SEATING POSITION	AIR BAG USAGE
1 - FATAL	1 - NONE USED - VEHICLE OCCUPANT	1 - FRONT - LEFT SIDE (MOTORCYCLE DRIVER)	1 - NOT DEPLOYED
2 - SUSPECTED SERIOUS INJURY	2 - SHOULDER BELT ONLY USED	2 - FRONT - MIDDLE	2 - DEPLOYED FRONT
3 - SUSPECTED MINOR INJURY	3 - LAP BELT ONLY USED	3 - FRONT - RIGHT SIDE	3 - DEPLOYED SIDE
4 - POSSIBLE INJURY	4 - SHOULDER & LAP BELT USED	4 - SECOND - LEFT SIDE (MOTORCYCLE PASSENGER)	4 - DEPLOYED BOTH FRONT/SIDE
5 - NO APPARENT INJURY	5 - CHILD RESTRAINT SYSTEM - FORWARD FACING	5 - SECOND - MIDDLE	5 - NOT APPLICABLE
	6 - CHILD RESTRAINT SYSTEM - REAR FACING	6 - SECOND - RIGHT SIDE	9 - DEPLOYMENT UNKNOWN
<b>INJURED TAKEN BY</b>	7 - BOOSTER SEAT	7 - THIRD - LEFT SIDE (MOTORCYCLE SIDE CAR)	<b>EJECTION</b>
1 - NOT TRANSPORTED / TREATED AT SCENE	8 - HELMET USED	8 - THIRD - MIDDLE	1 - NOT EJECTED
2 - EMS	9 - PROTECTIVE PADS USED (ELBOWS, KNEES, ETC)	9 - THIRD - RIGHT SIDE	2 - PARTIALLY EJECTED
3 - POLICE	10 - REFLECTIVE CLOTHING	10 - SLEEPER SECTION OF TRUCK CAB	3 - TOTALLY EJECTED
9 - OTHER / UNKNOWN	11 - LIGHTING - PEDESTRIAN / BICYCLE ONLY	11 - PASSENGER IN OTHER ENCLOSED CARGO AREA (NON-TRAILING UNIT SUCH AS A BUS, PICK-UP WITH CAP)	4 - NOT APPLICABLE
<b>GENDER</b>	99 - OTHER / UNKNOWN	12 - PASSENGER IN UNENCLOSED CARGO AREA	<b>TRAPPED</b>
F - FEMALE		13 - TRAILING UNIT	1 - NOT TRAPPED
M - MALE		14 - RIDING ON VEHICLE EXTERIOR (NON-TRAILING UNIT)	2 - EXTRICATED BY MECHANICAL MEANS
U - OTHER / UNKNOWN		15 - NON-MOTORIST	3 - FREED BY NON-MECHANICAL MEANS
		99 - OTHER / UNKNOWN	

<b>WITNESS</b>	NAME: LAST, FIRST, MIDDLE	DATE OF BIRTH		AGE	GENDER	
	ADDRESS: STREET, CITY, STATE, ZIP	CONTACT PHONE - INCLUDE AREA CODE				
<b>WITNESS</b>	NAME: LAST, FIRST, MIDDLE	DATE OF BIRTH		AGE	GENDER	
	ADDRESS: STREET, CITY, STATE, ZIP	CONTACT PHONE - INCLUDE AREA CODE				
<b>WITNESS</b>	NAME: LAST, FIRST, MIDDLE	DATE OF BIRTH		AGE	GENDER	
	ADDRESS: STREET, CITY, STATE, ZIP	CONTACT PHONE - INCLUDE AREA CODE				

OHIO TRAFFIC ACCIDENT - OH2 DIAGRAM

LOCAL REPORT NUMBER <b>000220020462</b>	REPORTING AGENCY <b>Clermont County Sheriff</b>	Date Of Crash <b>06/29/2022</b>
IN COUNTY OF <b>Clermont County</b>	ACCIDENT LOCATION <b>Thomaston</b>	



OFFICERS SIGNATURE	BADGE NO. <b>R12109</b>
--------------------	----------------------------