

TRAFFIC CRASH REPORT

*DENOTES MANDATORY FIELD FOR SUPPLEMENT REPORT

LOCAL REPORT NUMBER *

000220024701

<input checked="" type="checkbox"/> PHOTOS TAKEN	<input checked="" type="checkbox"/> OH-2	<input type="checkbox"/> OH-3	LOCAL INFORMATION 000220024701	HIT/SKIP 1 - SOLVED 2 - UNSOLVED	NUMBER OF UNITS 2	UNIT IN ERROR 98 - ANIMAL 99 - UNKNOWN
<input type="checkbox"/> SECONDARY CRASH	<input type="checkbox"/> OH-1P	<input type="checkbox"/> OTHER	REPORTING AGENCY NAME * Clermont County Sheriff	NCIC * 01300		
	<input checked="" type="checkbox"/> PRIVATE PROPERTY					

COUNTY* 13	LOCALITY* 3	LOCATION: CITY, VILLAGE, TOWNSHIP* Batavia	CRASH DATE / TIME* 08/07/2022 11:02	CRASH SEVERITY 5
---------------	----------------	---	--	---------------------

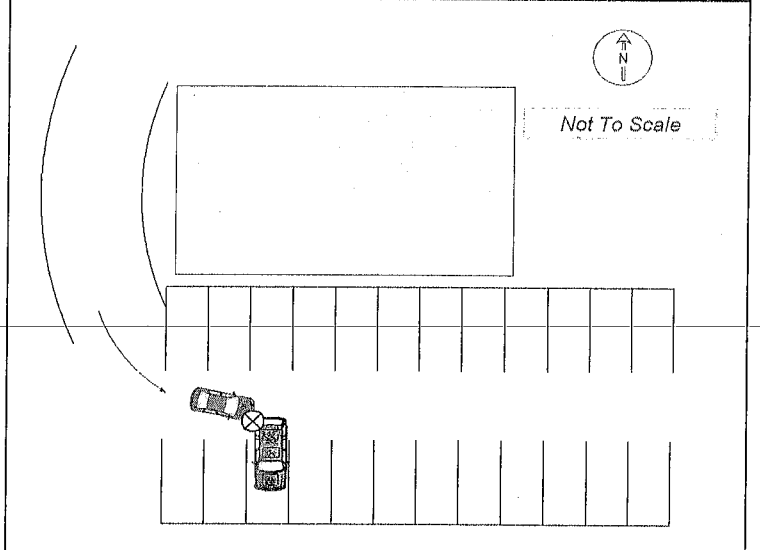
ROUTE TYPE SR	ROUTE NUMBER 125	PREFIX 1 - NORTH 2 - SOUTH 3 - EAST 4 - WEST	LOCATION ROAD NAME Bach Buxton	ROAD TYPE RD	LATITUDE DECIMAL DEGREES 39.046200	CRASH SEVERITY 1 - FATAL 2 - SERIOUS INJURY SUSPECTED 3 - MINOR INJURY SUSPECTED 4 - INJURY POSSIBLE 5 - PROPERTY DAMAGE ONLY
ROUTE TYPE	ROUTE NUMBER	PREFIX 1 - NORTH 2 - SOUTH 3 - EAST 4 - WEST	REFERENCE ROAD NAME (ROAD, MILEPOST, HOUSE #) Bach Buxton	ROAD TYPE RD	LONGITUDE DECIMAL DEGREES -84.243693	

REFERENCE POINT 1 - INTERSECTION 2 - MILE POST 3 - HOUSE #	DIRECTION FROM REFERENCE 1 - NORTH 2 - SOUTH 3 - EAST 4 - WEST	ROUTE TYPE IR - INTERSTATE ROUTE (TP) US - FEDERAL US ROUTE SR - STATE ROUTE CR - NUMBERED COUNTY ROUTE TR - NUMBERED TOWNSHIP ROUTE	ROAD TYPE AL - ALLEY AV - AVENUE BL - BOULEVARD CR - CIRCLE CT - COURT DR - DRIVE HE - HEIGHTS	ROAD TYPE HW - HIGHWAY LA - LANE MP - MILEPOST OV - OVAL PK - PARKWAY PI - PIKE PL - PLACE	RD - ROAD SQ - SQUARE ST - STREET TE - TERRACE TL - TRAIL WA - WAY	INTERSECTION RELATED <input type="checkbox"/> WITHIN INTERSECTION OR ON APPROACH <input type="checkbox"/> WITHIN INTERCHANGE AREA
DISTANCE FROM REFERENCE 500.00	DISTANCE UNIT OF MEASURE 1 - MILES 2 - FEET 3 - YARDS					NUMBER OF APPROACHES <input type="checkbox"/>
						ROADWAY <input type="checkbox"/> ROADWAY DIVIDED

LOCATION OF FIRST HARMFUL EVENT 10	MANNER OF CRASH COLLISION/IMPACT 9	DIRECTION OF TRAVEL 1 - NORTH 2 - SOUTH 3 - EAST 4 - WEST	MEDIAN TYPE 1 - DIVIDED FLUSH MEDIAN (<4 FEET) 2 - DIVIDED FLUSH MEDIAN (≥4 FEET) 3 - DIVIDED, DEPRESSED MEDIAN 4 - DIVIDED, RAISED MEDIAN (ANY TYPE) 9 - OTHER / UNKNOWN
---------------------------------------	---------------------------------------	---	--

<input type="checkbox"/> WORK ZONE RELATED <input type="checkbox"/> WORKERS PRESENT <input type="checkbox"/> LAW ENFORCEMENT PRESENT <input type="checkbox"/> ACTIVE SCHOOL ZONE	WORK ZONE TYPE 1 - LANE CLOSURE 2 - LANE SHIFT/ CROSSOVER 3 - WORK ON SHOULDER OR MEDIAN 4 - INTERMITTENT OR MOVING WORK 5 - OTHER	LOCATION OF CRASH IN WORK ZONE 1 - BEFORE THE 1ST WORK ZONE WARNING SIGN 2 - ADVANCE WARNING AREA 3 - TRANSITION AREA 4 - ACTIVITY AREA 5 - TERMINATION AREA	CONTOUR 1	CONDITIONS 1	SURFACE 1
LIGHT CONDITION 1 - DAYLIGHT 2 - DAWN/DUSK 3 - DARK - LIGHTED ROADWAY 4 - DARK - ROADWAY NOT LIGHTED 5 - DARK - UNKNOWN ROADWAY LIGHTING 9 - OTHER / UNKNOWN	WEATHER 1 - CLEAR 2 - CLOUDY 3 - FOG, SMOG, SMOKE 4 - RAIN 5 - SLEET, HAIL	WEATHER 6 - SNOW 7 - SEVERE CROSSWINDS 8 - BLOWING SAND, SOIL, DIRT, SNOW 9 - FREEZING RAIN OR FREEZING DRIZZLE 99 - OTHER / UNKNOWN	1 - STRAIGHT LEVEL 2 - STRAIGHT GRADE 3 - CURVE LEVEL 4 - CURVE GRADE 9 - OTHER /UNKNOWN	1 - DRY 2 - WET 3 - SNOW 4 - ICE 5 - SAND, MUD, DIRT, OIL, GRAVEL 6 - WATER (STANDING, MOVING) 7 - SLUSH 9 - OTHER / UNKNOWN	1 - CONCRETE 2 - BLACKTOP, BITUMINOUS, ASPHALT 3 - BRICK/BLOCK 4 - SLAG, GRAVEL, STONE 5 - DIRT 9 - OTHER /UNKNOWN

NARRATIVE
 Unit 1 was traveling through the drive through of Dunkin Doughnuts as unit 2 was backing out of a parking space. Both units collided during the process. I was unable to determine who was at fault.



CRASH REPORTED DATE / TIME 08/07/2022 11:02	DISPATCH DATE / TIME 08/07/2022 11:03	ARRIVAL DATE / TIME 08/07/2022 11:17	SCENE CLEARED DATE / TIME 08/07/2022 11:21	REPORT TAKEN BY <input checked="" type="checkbox"/> POLICE AGENCY <input type="checkbox"/> MOTORIST
TOTAL TIME ROADWAY CLOSED 0	OTHER INVESTIGATION TIME 0	TOTAL MINUTES 18	OFFICER'S NAME* Deputy Tudor	CHECKED BY OFFICER'S NAME* Rudd, Jeffrey
			OFFICER'S BADGE NUMBER* 12226	CHECKED BY OFFICER'S BADGE NUMBER* R3052
<input checked="" type="checkbox"/> SUPPLEMENT (CORRECTION OR ADDITION TO AN EXISTING REPORT SENT TO ODPS)				

OWNER

UNIT # 1 OWNER NAME: LAST, FIRST, MIDDLE (☐ SAME AS DRIVER) SMITH, RUSSELL

OWNER ADDRESS: STREET, CITY, STATE, ZIP (☐ SAME AS DRIVER) 2017 LAUREL OAK, AMELIA, OH, 45102

COMMERCIAL CARRIER: NAME, ADDRESS, CITY, STATE, ZIP

OWNER PHONE: INCLUDE AREA CODE (☐ SAME AS DRIVER)

COMMERCIAL CARRIER PHONE: INCLUDE AREA CODE

DAMAGE

DAMAGE SCALE

1 - NONE 3 - FUNCTIONAL DAMAGE

2 - MINOR DAMAGE 4 - DISABLING DAMAGE

9 - UNKNOWN

VEHICLE

LP STATE OH LICENSE PLATE # HGB3775

VEHICLE IDENTIFICATION # 2HGFE2F24NH509478

VEHICLE YEAR 2022 VEHICLE MAKE HONDA

INSURANCE VERIFIED INSURANCE COMPANY GEICO

INSURANCE POLICY # 4632752137

COLOR GRAY VEHICLE MODEL CIVIC

DAMAGED AREA(S)

INDICATE ALL THAT APPLY

TYPE OF USE

COMMERCIAL GOVERNMENT IN EMERGENCY RESPONSE

US DOT #

TOWED BY: COMPANY NAME

HAZARDOUS MATERIAL

MATERIAL RELEASED PLACARD

CLASS # PLACARD ID #

VEHICLE WEIGHT GVWR/GCWR

1 - ≤10K LBS. 2 - 10,001 - 26K LBS. 3 - > 26K LBS.

UNIT TYPE

1 - PASSENGER CAR 6 - VAN (9-15 SEATS) 12 - GOLF CART 18 - LIMO (LIVERY VEHICLE) 23 - PEDESTRIAN/SKATER

2 - PASSENGER VAN (MINIVAN) 7 - MOTORCYCLE 2-WHEELED 13 - SNOWMOBILE 19 - BUS (16+ PASSENGERS) 24 - WHEELCHAIR (ANY TYPE)

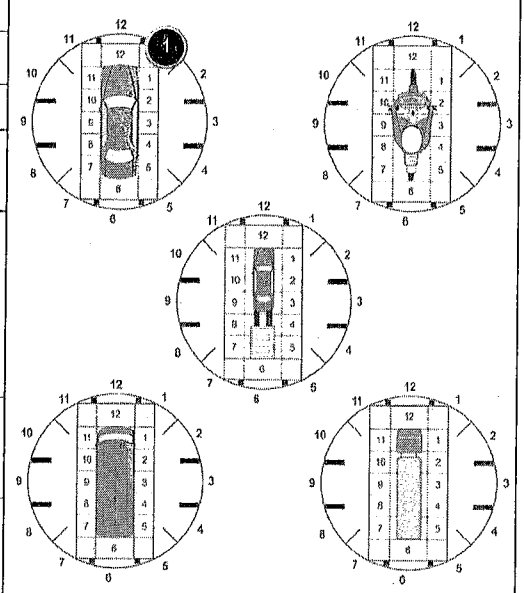
3 - SPORT UTILITY VEHICLE 8 - MOTORCYCLE 3-WHEELED 14 - SINGLE UNIT TRUCK 20 - OTHER VEHICLE 25 - OTHER NON-MOTORIST

4 - PICK UP 9 - AUTOCYCLE 15 - SEMI-TRACTOR 21 - HEAVY EQUIPMENT 26 - BICYCLE

5 - CARGO VAN 10 - MOPED OR MOTORIZED BICYCLE 16 - FARM EQUIPMENT 22 - ANIMAL WITH RIDER OR ANIMAL-DRAWN VEHICLE 27 - TRAIN

11 - ALL TERRAIN VEHICLE (ATV/UTV) 17 - MOTORHOME 99 - UNKNOWN OR HIT/SKIP

OF TRAILING UNITS



WAS VEHICLE OPERATING IN AUTONOMOUS MODE WHEN CRASH OCCURRED?

0 - NO AUTOMATION 3 - CONDITIONAL AUTOMATION 9 - UNKNOWN

1 - DRIVER ASSISTANCE 4 - HIGH AUTOMATION

2 - PARTIAL AUTOMATION 5 - FULL AUTOMATION

SPECIAL FUNCTION

1 - NONE 6 - BUS - CHARTER/TOUR 11 - FIRE 16 - FARM 21 - MAIL CARRIER

2 - TAXI 7 - BUS - INTERCITY 12 - MILITARY 17 - MOWING 99 - OTHER / UNKNOWN

3 - ELECTRONIC RIDE SHARING 8 - BUS - SHUTTLE 13 - POLICE 18 - SNOW REMOVAL

4 - SCHOOL TRANSPORT 9 - BUS - OTHER 14 - PUBLIC UTILITY 19 - TOWING

5 - BUS - TRANSIT/COMMUTER 10 - AMBULANCE 15 - CONSTRUCTION EQUIP. 20 - SAFETY SERVICE PATROL

CARGO BODY TYPE

1 - NO CARGO BODY TYPE / NOT APPLICABLE 4 - LOGGING 7 - GRAIN/CHIPS/GRAVEL 11 - DUMP 99 - OTHER / UNKNOWN

2 - BUS 5 - INTERMODAL CONTAINER CHASSIS 8 - POLE 12 - CONCRETE MIXER

3 - VEHICLE TOWING ANOTHER MOTOR VEHICLE 6 - CARGOVAN /ENCLOSED BOX 9 - CARGO TANK 13 - AUTO TRANSPORTER

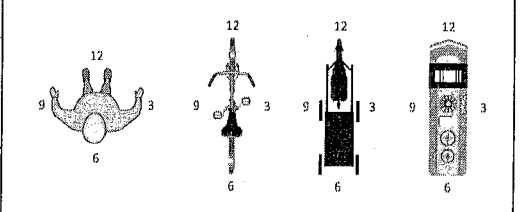
10 - FLAT BED 14 - GARBAGE/REFUSE

VEHICLE DEFECTS

1 - TURN SIGNALS 4 - BRAKES 7 - WORN OR SLICK TIRES 9 - MOTOR TROUBLE 99 - OTHER / UNKNOWN

2 - HEAD LAMPS 5 - STEERING 8 - TRAILER EQUIPMENT DEFECTIVE 10 - DISABLED FROM PRIOR ACCIDENT

3 - TAIL LAMPS 6 - TIRE BLOWOUT



NO DAMAGE [0] UNDERCARRIAGE [14]

TOP [13] ALL AREAS [15]

UNIT NOT AT SCENE [16]

NON-MOTORIST LOCATION

1 - INTERSECTION - MARKED CROSSWALK 4 - MIDBLOCK - MARKED CROSSWALK 7 - SHOULDER/ROADSIDE 10 - DRIVEWAY ACCESS 99 - OTHER / UNKNOWN

2 - INTERSECTION - UNMARKED CROSSWALK 5 - TRAVEL LANE - OTHER LOCATION 8 - SIDEWALK 11 - SHARED USE PATHS OR TRAILS

3 - INTERSECTION - OTHER 6 - BICYCLE LANE 9 - MEDIUM/CROSSING ISLAND 12 - FIRST RESPONDER AT INCIDENT SCENE

ACTION

1 - NON-CONTACT 1 - STRAIGHT AHEAD 9 - LEAVING TRAFFIC LANE 15 - WALKING, RUNNING, JOGGING, PLAYING 21 - STANDING OUTSIDE DISABLED VEHICLE

2 - NON-COLLISION 2 - BACKING 10 - PARKED 16 - WORKING 99 - OTHER / UNKNOWN

3 - STRIKING 3 - CHANGING LANES 11 - SLOWING OR STOPPED IN TRAFFIC 17 - PUSHING VEHICLE 18 - APPROACHING OR LEAVING VEHICLE

4 - STRUCK 4 - OVERTAKING/PASSING 5 - MAKING RIGHT TURN 6 - MAKING LEFT TURN 7 - MAKING U-TURN 8 - ENTERING TRAFFIC LANE

5 - BOTH STRIKING & STRUCK 7 - MAKING U-TURN 8 - ENTERING TRAFFIC LANE 14 - ENTERING OR CROSSING SPECIFIED LOCATION

9 - OTHER / UNKNOWN

INITIAL POINT OF CONTACT

0 - NO DAMAGE 14 - UNDERCARRIAGE

1-12 - REFER TO UNIT DIAGRAM 15 - VEHICLE NOT AT SCENE

13 - TOP 99 - UNKNOWN

CONTRIBUTING CIRCUMSTANCES

1 - NONE 8 - FOLLOWING TOO CLOSE /ACDA 13 - IMPROPER START FROM A PARKED POSITION 18 - OPERATING DEFECTIVE EQUIPMENT 23 - OPENING DOOR INTO ROADWAY

2 - FAILURE TO YIELD 9 - IMPROPER LANE CHANGE 14 - STOPPED OR PARKED ILLEGALLY 19 - LOAD SHIFTING /FALLING/SPILLING 99 - OTHER IMPROPER ACTION

3 - RAN RED LIGHT 10 - IMPROPER PASSING 15 - SWERVING TO AVOID 20 - IMPROPER CROSSING

4 - RAN STOP SIGN 11 - DROVE OFF ROAD 16 - WRONG WAY 21 - LYING IN ROADWAY

5 - UNSAFE SPEED 12 - IMPROPER BACKING 17 - VISION OBSTRUCTION 22 - NOT DISCERNIBLE

6 - IMPROPER TURN 7 - LEFT OF CENTER

TRAFFIC

TRAFFICWAY FLOW

1 - ONE-WAY 2 - TWO-WAY

OF THROUGH LANES ON ROAD 1

TRAFFIC CONTROL

1 - ROUNDABOUT 4 - STOP SIGN 2 - SIGNAL 5 - YIELD SIGN 3 - FLASHER 6 - NO CONTROL

SEQUENCE OF EVENTS

1 [20] 1 - OVERTURN/ROLLOVER 7 - SEPARATION OF UNITS 12 - DOWNHILL RUNAWAY 19 - ANIMAL - OTHER 23 - STRUCK BY FALLING, SHIFTING CARGO OR ANYTHING SET IN MOTION BY A MOTOR VEHICLE

2 [] 2 - FIRE/EXPLOSION 8 - RAN OFF ROAD RIGHT 13 - OTHER NON-COLLISION 20 - MOTOR VEHICLE IN TRANSPORT

3 [] 3 - IMMERSION 9 - RAN OFF ROAD LEFT 14 - PEDESTRIAN 21 - PARKED MOTOR VEHICLE

4 [] 4 - JACKKNIFE 10 - CROSS MEDIAN 15 - PEDALCYCLE 22 - WORK ZONE MAINTENANCE EQUIPMENT

5 [] 5 - CARGO /EQUIPMENT LOSS OR SHIFT 11 - CROSS CENTERLINE - OPPOSITE DIRECTION OF TRAVEL 16 - RAILWAY VEHICLE 24 - OTHER MOVABLE OBJECT

6 [] 6 - EQUIPMENT FAILURE

RAIL-GRADE CROSSING

1 - NOT INVOLVED 2 - INVOLVED-ACTIVE CROSSING 3 - INVOLVED-PASSIVE CROSSING

EVENTS

1 [20] 1 - OVERTURN/ROLLOVER 7 - SEPARATION OF UNITS 12 - DOWNHILL RUNAWAY 19 - ANIMAL - OTHER 23 - STRUCK BY FALLING, SHIFTING CARGO OR ANYTHING SET IN MOTION BY A MOTOR VEHICLE

2 [] 2 - FIRE/EXPLOSION 8 - RAN OFF ROAD RIGHT 13 - OTHER NON-COLLISION 20 - MOTOR VEHICLE IN TRANSPORT

3 [] 3 - IMMERSION 9 - RAN OFF ROAD LEFT 14 - PEDESTRIAN 21 - PARKED MOTOR VEHICLE

4 [] 4 - JACKKNIFE 10 - CROSS MEDIAN 15 - PEDALCYCLE 22 - WORK ZONE MAINTENANCE EQUIPMENT

5 [] 5 - CARGO /EQUIPMENT LOSS OR SHIFT 11 - CROSS CENTERLINE - OPPOSITE DIRECTION OF TRAVEL 16 - RAILWAY VEHICLE 24 - OTHER MOVABLE OBJECT

6 [] 6 - EQUIPMENT FAILURE

COLLISION WITH FIXED OBJECT - STRUCK

25 - IMPACT ATTENUATOR / CRASH CUSHION 31 - GUARDRAIL END 38 - OVERHEAD SIGN POST 45 - EMBANKMENT 52 - BUILDING

26 - BRIDGE OVERHEAD STRUCTURE 32 - PORTABLE BARRIER 39 - LIGHT / LUMINARIES SUPPORT 46 - FENCE 53 - TUNNEL

27 - BRIDGE PIER OR ABUTMENT 33 - MEDIUM CABLE BARRIER 40 - UTILITY POLE 47 - MAILBOX 54 - OTHER FIXED OBJECT

28 - BRIDGE PARAPET 34 - MEDIUM GUARDRAIL BARRIER 41 - OTHER POST, POLE OR SUPPORT 48 - TREE 55 - OTHER

29 - BRIDGE RAIL 35 - MEDIUM CONCRETE BARRIER 42 - CULVERT 49 - FIRE HYDRANT 56 - OTHER

30 - GUARDRAIL FACE 36 - MEDIUM OTHER BARRIER 43 - CURB 50 - WORK ZONE MAINTENANCE EQUIPMENT

37 - TRAFFIC SIGN POST 44 - DITCH 51 - WALL

1 [] FIRST HARMFUL EVENT 1 [] MOST HARMFUL EVENT

UNIT / NON-MOTORIST DIRECTION

FROM [5] TO [2]

1 - NORTH 5 - NORTHEAST 2 - SOUTH 6 - NORTHWEST 3 - EAST 7 - SOUTHEAST 4 - WEST 8 - SOUTHWEST 9 - OTHER / UNKNOWN

UNIT SPEED

[5]

POSTED SPEED

[5]

DETECTED SPEED

1 [] 1 - STATED / ESTIMATED SPEED 2 - CALCULATED / EDR 3 - UNDETERMINED

OWNER

UNIT # 2 OWNER NAME: LAST, FIRST, MIDDLE (SAME AS DRIVER)
MIDGLEY, NOAH

OWNER ADDRESS: STREET, CITY, STATE, ZIP (SAME AS DRIVER)
844 CYPRESSPOINT, CINCINNATI, OH, 45201

COMMERCIAL CARRIER: NAME, ADDRESS, CITY, STATE, ZIP
 COMMERCIAL CARRIER PHONE: INCLUDE AREA CODE

DAMAGE

DAMAGE SCALE

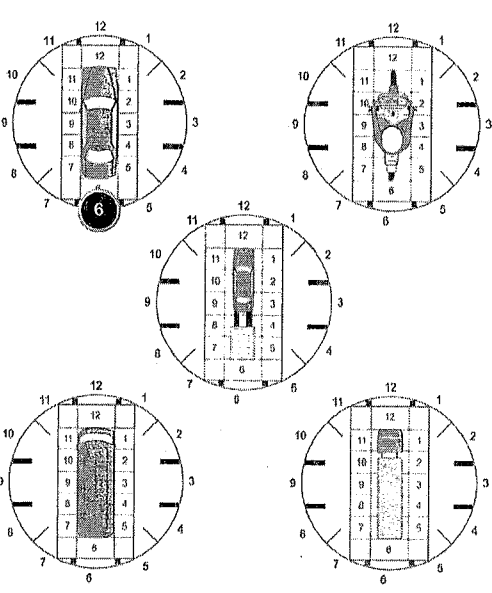
2 1 - NONE 3 - FUNCTIONAL DAMAGE
 2 - MINOR DAMAGE 4 - DISABLING DAMAGE
 9 - UNKNOWN

VEHICLE

LP STATE OH LICENSE PLATE # JMD4 VEHICLE IDENTIFICATION # 2GNALPEK0D6243844 VEHICLE YEAR 2013 VEHICLE MAKE CHEVROLET

INSURANCE VERIFIED INSURANCE COMPANY STATE FARM INSURANCE POLICY # D296228C0135 COLOR GRY VEHICLE MODEL EQUINOX

DAMAGED AREA(S)
 INDICATE ALL THAT APPLY



TYPE OF USE: COMMERCIAL GOVERNMENT IN EMERGENCY RESPONSE

US DOT # _____ TOWED BY: COMPANY NAME _____

HAZARDOUS MATERIAL: MATERIAL CLASS # _____ RELEASED PLACARD ID # _____

UNIT TYPE

1 - PASSENGER CAR	6 - VAN (9-15 SEATS)	12 - GOLF CART	18 - LIMO (LIVERY VEHICLE)	23 - PEDESTRIAN/SKATER
2 - PASSENGER VAN (MINIVAN)	7 - MOTORCYCLE 2-WHEELED	13 - SNOWMOBILE	19 - BUS (16+ PASSENGERS)	24 - WHEELCHAIR (ANY TYPE)
3 - SPORT UTILITY VEHICLE	8 - MOTORCYCLE 3-WHEELED	14 - SINGLE UNIT TRUCK	20 - OTHER VEHICLE	25 - OTHER NON-MOTORIST
4 - PICK UP	9 - AUTOCYCLE	15 - SEMI-TRACTOR	21 - HEAVY EQUIPMENT	26 - BICYCLE
5 - CARGO VAN	10 - MOPED OR MOTORIZED BICYCLE	16 - FARM EQUIPMENT	22 - ANIMAL WITH RIDER OR ANIMAL-DRAWN VEHICLE	27 - TRAIN
	11 - ALL TERRAIN VEHICLE (ATV/UTV)	17 - MOTORHOME	99 - UNKNOWN OR HIT/SKIP	

OF TRAILING UNITS _____

WAS VEHICLE OPERATING IN AUTONOMOUS MODE WHEN CRASH OCCURRED? 0

1 - YES 2 - NO 9 - OTHER / UNKNOWN

AUTONOMOUS MODE LEVEL

0 - NO AUTOMATION 3 - CONDITIONAL AUTOMATION 9 - UNKNOWN
 1 - DRIVER ASSISTANCE 4 - HIGH AUTOMATION
 2 - PARTIAL AUTOMATION 5 - FULL AUTOMATION

SPECIAL FUNCTION

1 - NONE	6 - BUS - CHARTER/TOUR	11 - FIRE	16 - FARM	21 - MAIL CARRIER
2 - TAXI	7 - BUS - INTERCITY	12 - MILITARY	17 - MOWING	99 - OTHER / UNKNOWN
3 - ELECTRONIC RIDE SHARING	8 - BUS - SHUTTLE	13 - POLICE	18 - SNOW REMOVAL	
4 - SCHOOL TRANSPORT	9 - BUS - OTHER	14 - PUBLIC UTILITY	19 - TOWING	
5 - BUS - TRANSIT/COMMUTER	10 - AMBULANCE	15 - CONSTRUCTION EQUIP.	20 - SAFETY SERVICE PATROL	

CARGO BODY TYPE

1 - NO CARGO BODY TYPE / NOT APPLICABLE	4 - LOGGING	7 - GRAIN/CHIPS/GRAVEL	11 - DUMP	99 - OTHER / UNKNOWN
2 - BUS	5 - INTERMODAL CONTAINER CHASSIS	8 - POLE	12 - CONCRETE MIXER	
3 - VEHICLE TOWING ANOTHER MOTOR VEHICLE	6 - CARGOVAN /ENCLOSED BOX	9 - CARGO TANK	13 - AUTO TRANSPORTER	
		10 - FLAT BED	14 - GARBAGE/REFUSE	

VEHICLE DEFECTS

1 - TURN SIGNALS	4 - BRAKES	7 - WORN OR SLICK TIRES	9 - MOTOR TROUBLE	99 - OTHER / UNKNOWN
2 - HEAD LAMPS	5 - STEERING	8 - TRAILER EQUIPMENT DEFECTIVE	10 - DISABLED FROM PRIOR ACCIDENT	
3 - TAIL LAMPS	6 - TIRE BLOWOUT			

NON-MOTORIST LOCATION AT IMPACT

1 - INTERSECTION - MARKED CROSSWALK	4 - MIDBLOCK - MARKED CROSSWALK	7 - SHOULDER/ROADSIDE SIDEWALK	10 - DRIVEWAY ACCESS	99 - OTHER / UNKNOWN
2 - INTERSECTION - (UNMARKED) CROSSWALK	5 - TRAVEL LANE - OTHER LOCATION	9 - MEDIAN/CROSSING ISLAND	11 - SHARED USE PATHS OR TRAILS	
3 - INTERSECTION - OTHER	6 - BICYCLE LANE		12 - FIRST RESPONDER AT INCIDENT SCENE	

ACTION

1 - NON-CONTACT	1 - STRAIGHT AHEAD	9 - LEAVING TRAFFIC LANE	15 - WALKING, RUNNING, JOGGING, PLAYING	21 - STANDING OUTSIDE DISABLED VEHICLE
2 - NON-COLLISION	2 - BACKING	10 - PARKED	16 - WORKING	99 - OTHER / UNKNOWN
3 - STRIKING	3 - CHANGING LANES	11 - SLOWING OR STOPPED IN TRAFFIC	17 - PUSHING VEHICLE	
4 - STRUCK	4 - OVERTAKING/PASSING	12 - DRIVERLESS	18 - APPROACHING OR LEAVING VEHICLE	
5 - BOTH STRIKING & STRUCK	5 - MAKING RIGHT TURN	13 - NEGOTIATING A CURVE	19 - STANDING	
9 - OTHER / UNKNOWN	6 - MAKING LEFT TURN	14 - ENTERING OR CROSSING SPECIFIED LOCATION	20 - OTHER NON-MOTORIST	
	7 - MAKING U-TURN			
	8 - ENTERING TRAFFIC LANE			

CONTRIBUTING CIRCUMSTANCES

1 - NONE	8 - FOLLOWING TOO CLOSE /ACDA	13 - IMPROPER START FROM A PARKED POSITION	18 - OPERATING DEFECTIVE EQUIPMENT	23 - OPENING DOOR INTO ROADWAY
2 - FAILURE TO YIELD	9 - IMPROPER LANE CHANGE	14 - STOPPED OR PARKED ILLEGALLY	19 - LOAD SHIFTING /FALLING/SPILLING	99 - OTHER IMPROPER ACTION
3 - RAN RED LIGHT	10 - IMPROPER PASSING	15 - SWERVING TO AVOID	20 - IMPROPER CROSSING	
4 - RAN STOP SIGN	11 - DROVE OFF ROAD	16 - WRONG WAY	21 - LYING IN ROADWAY	
5 - UNSAFE SPEED	12 - IMPROPER BACKING	17 - VISION OBSTRUCTION	22 - NOT DISCERNIBLE	
6 - IMPROPER TURN				
7 - LEFT OF CENTER				

EVENTS (6)

SEQUENCE OF EVENTS

1 20 1 - OVERTURN/ROLLOVER 7 - SEPARATION OF UNITS 12 - DOWNHILL RUNAWAY 19 - ANIMAL - OTHER 23 - STRUCK BY FALLING, SHIFTING CARGO OR ANYTHING SET IN MOTION BY A MOTOR VEHICLE

2 2 2 - FIRE/EXPLOSION 8 - RAN OFF ROAD RIGHT 13 - OTHER NON-COLLISION 20 - MOTOR VEHICLE IN TRANSPORT 24 - OTHER MOVABLE OBJECT

3 1 3 - IMMERSION 9 - RAN OFF ROAD LEFT 14 - PEDESTRIAN 21 - PARKED MOTOR VEHICLE

4 1 4 - JACKKNIFE 10 - CROSS MEDIAN 15 - PEDALCYCLE 22 - WORK ZONE MAINTENANCE EQUIPMENT

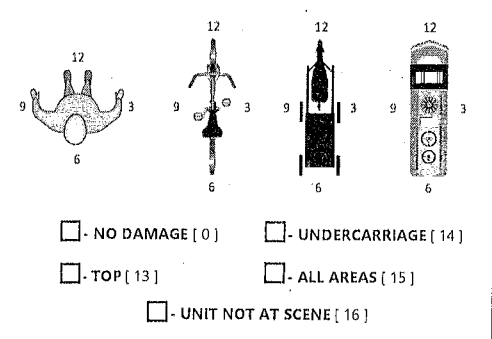
5 1 5 - CARGO / EQUIPMENT LOSS OR SHIFT 11 - CROSS CENTERLINE - OPPOSITE DIRECTION OF TRAVEL 16 - RAILWAY VEHICLE 23 - STRUCK BY FALLING, SHIFTING CARGO OR ANYTHING SET IN MOTION BY A MOTOR VEHICLE

6 1 6 - EQUIPMENT FAILURE 17 - ANIMAL - FARM 18 - ANIMAL - DEER 24 - OTHER MOVABLE OBJECT

COLLISION WITH FIXED OBJECT - STRUCK

25 - IMPACT ATTENUATOR / CRASH CUSHION	31 - GUARDRAIL END	38 - OVERHEAD SIGN POST	45 - EMBANKMENT
26 - BRIDGE OVERHEAD STRUCTURE	32 - PORTABLE BARRIER	39 - LIGHT / LUMINARIES SUPPORT	46 - FENCE
27 - BRIDGE PIER OR ABUTMENT	33 - MEDIAN CABLE BARRIER	40 - UTILITY POLE	47 - MAILBOX
28 - BRIDGE PARAPET	34 - MEDIAN GUARDRAIL BARRIER	41 - OTHER POST, POLE OR SUPPORT	48 - TREE
29 - BRIDGE RAIL	35 - MEDIAN CONCRETE BARRIER	42 - CULVERT	49 - FIRE HYDRANT
30 - GUARDRAIL FACE	36 - MEDIAN OTHER BARRIER	43 - CURB	50 - WORK ZONE MAINTENANCE EQUIPMENT
	37 - TRAFFIC SIGN POST	44 - DITCH	51 - WALL
			52 - BUILDING
			53 - TUNNEL
			54 - OTHER FIXED OBJECT
			99 - OTHER / UNKNOWN

FIRST HARMFUL EVENT 1 MOST HARMFUL EVENT 1



INITIAL POINT OF CONTACT

6 0 - NO DAMAGE 14 - UNDERCARRIAGE
 1-12 - REFER TO UNIT DIAGRAM 15 - VEHICLE NOT AT SCENE
 13 - TOP 99 - UNKNOWN

TRAFFIC

TRAFFICWAY FLOW	TRAFFIC CONTROL
1 - ONE-WAY	1 - ROUNDABOUT 4 - STOP SIGN
2 - TWO-WAY	2 - SIGNAL 5 - YIELD SIGN
	3 - FLASHER 6 - NO CONTROL

OF THROUGH LANES ON ROAD 1

RAIL GRADE CROSSING

1 1 - NOT INVOLVED
 2 - INVOLVED-ACTIVE CROSSING
 3 - INVOLVED-PASSIVE CROSSING

UNIT / NON-MOTORIST DIRECTION

FROM 2 TO 1

1 - NORTH	5 - NORTH-EAST
2 - SOUTH	6 - NORTHWEST
3 - EAST	7 - SOUTHEAST
4 - WEST	8 - SOUTHWEST
	9 - OTHER / UNKNOWN

UNIT SPEED 5

POSTED SPEED 5

DETECTED SPEED

1 1 - STATED / ESTIMATED SPEED
 2 - CALCULATED / EDR
 3 - UNDETERMINED



MOTORIST / Non-MOTORIST

LOCAL REPORT NUMBER

000220024701

UNIT # 1	NAME: LAST, FIRST, MIDDLE SMITH, RUSSELL					DATE OF BIRTH 05/18/1987		AGE 35	GENDER M			
ADDRESS: STREET, CITY, STATE, ZIP 2017 LAUREL OAK, AMELIA, OH, 45102					CONTACT PHONE - INCLUDE AREA CODE							
INJURIES 5	INJURED TAKEN BY 1	EMS AGENCY (NAME)		INJURED TAKEN TO: MEDICAL FACILITY (NAME, CITY)		SAFETY EQUIPMENT USED 4	<input type="checkbox"/> DOT-COMPLIANT MC HELMET	SEATING POSITION 1	AIR BAG USAGE 1	EJECTION 1	TRAPPED 1	
OL STATE OH	OPERATOR LICENSE NUMBER			OFFENSE CHARGED		LOCAL CODE <input type="checkbox"/>	OFFENSE DESCRIPTION			CITATION NUMBER		
OL CLASS 4	ENDORSEMENT	RESTRICTION SELECT UP TO 3		DRIVER DISTRACTED BY 1	ALCOHOL / DRUG SUSPECTED <input type="checkbox"/> ALCOHOL <input type="checkbox"/> MARIJUANA <input type="checkbox"/> OTHER DRUG		CONDITION 1	ALCOHOL TEST STATUS: 1, TYPE: 1, VALUE: .			DRUG TEST(S) STATUS: 1, TYPE: 1, RESULTS SELECT UP TO 4	
UNIT # 2	NAME: LAST, FIRST, MIDDLE MIDGLEY, NOAH					DATE OF BIRTH 08/04/2000		AGE 22	GENDER M			
ADDRESS: STREET, CITY, STATE, ZIP 844 CYPRESSPOINT, CINCINNATI, OH, 45201					CONTACT PHONE - INCLUDE AREA CODE							
INJURIES 5	INJURED TAKEN BY 1	EMS AGENCY (NAME)		INJURED TAKEN TO: MEDICAL FACILITY (NAME, CITY)		SAFETY EQUIPMENT USED 4	<input type="checkbox"/> DOT-COMPLIANT MC HELMET	SEATING POSITION 1	AIR BAG USAGE 1	EJECTION 1	TRAPPED 1	
OL STATE OH	OPERATOR LICENSE NUMBER			OFFENSE CHARGED		LOCAL CODE <input type="checkbox"/>	OFFENSE DESCRIPTION			CITATION NUMBER		
OL CLASS 4	ENDORSEMENT	RESTRICTION SELECT UP TO 3		DRIVER DISTRACTED BY 1	ALCOHOL / DRUG SUSPECTED <input type="checkbox"/> ALCOHOL <input type="checkbox"/> MARIJUANA <input type="checkbox"/> OTHER DRUG		CONDITION 1	ALCOHOL TEST STATUS: 1, TYPE: 1, VALUE: .			DRUG TEST(S) STATUS: 1, TYPE: 1, RESULTS SELECT UP TO 4	
UNIT #	NAME: LAST, FIRST, MIDDLE					DATE OF BIRTH		AGE	GENDER			
ADDRESS: STREET, CITY, STATE, ZIP					CONTACT PHONE - INCLUDE AREA CODE							
INJURIES	INJURED TAKEN BY	EMS AGENCY (NAME)		INJURED TAKEN TO: MEDICAL FACILITY (NAME, CITY)		SAFETY EQUIPMENT USED	<input type="checkbox"/> DOT-COMPLIANT MC HELMET	SEATING POSITION	AIR BAG USAGE	EJECTION	TRAPPED	
OL STATE	OPERATOR LICENSE NUMBER			OFFENSE CHARGED		LOCAL CODE <input type="checkbox"/>	OFFENSE DESCRIPTION			CITATION NUMBER		
OL CLASS	ENDORSEMENT	RESTRICTION SELECT UP TO 3		DRIVER DISTRACTED BY	ALCOHOL / DRUG SUSPECTED <input type="checkbox"/> ALCOHOL <input type="checkbox"/> MARIJUANA <input type="checkbox"/> OTHER DRUG		CONDITION	ALCOHOL TEST STATUS: 1, TYPE: 1, VALUE: .			DRUG TEST(S) STATUS: 1, TYPE: 1, RESULTS SELECT UP TO 4	

INJURIES	SEATING POSITION	AIR BAG	OL CLASS	OL RESTRICTION(S)	DRIVER DISTRACTION	TEST STATUS
1 - FATAL	1 - FRONT - LEFT SIDE (MOTORCYCLE DRIVER)	1 - NOT DEPLOYED	1 - CLASS A	1 - ALCOHOL INTERLOCK DEVICE	1 - NOT DISTRACTED	1 - NONE GIVEN
2 - SUSPECTED SERIOUS INJURY	2 - FRONT - MIDDLE	2 - DEPLOYED FRONT	2 - CLASS B	2 - CDI. INTRASTATE ONLY	2 - MANUALLY OPERATING AN ELECTRONIC COMMUNICATION DEVICE (TEXTING, TYPING, EMAILING)	2 - TEST REFUSED
3 - SUSPECTED MINOR INJURY	3 - FRONT - RIGHT SIDE	3 - DEPLOYED SIDE	3 - CLASS C	3 - CORRECTIVE LENSES	3 - TALKING ON HANDS-FREE COMMUNICATION DEVICE	3 - TEST GIVEN, CONTAMINATED SAMPLE / UNUSABLE
4 - POSSIBLE INJURY	4 - SECOND - LEFT SIDE (MOTORCYCLE PASSENGER)	4 - DEPLOYED BOTH FRONT/SIDE	4 - REGULAR CLASS (OHIO = D)	4 - FARM WAIVER	4 - TALKING ON HAND-HELD COMMUNICATION DEVICE	4 - TEST GIVEN, RESULTS KNOWN
5 - NO APPARENT INJURY	5 - SECOND - MIDDLE	5 - NOT APPLICABLE	5 - M/C MOPED ONLY	5 - EXCEPT CLASS A BUS	5 - OTHER ACTIVITY WITH AN ELECTRONIC DEVICE	5 - TEST GIVEN, RESULTS UNKNOWN
	6 - SECOND - RIGHT SIDE	9 - DEPLOYMENT UNKNOWN	6 - NO VALID OL	6 - EXCEPT CLASS A & CLASS B BUS		
	7 - THIRD - LEFT SIDE (MOTORCYCLE SIDE CAR)	EJECTION		7 - EXCEPT TRACTOR-TRAILER		
	8 - THIRD - MIDDLE	1 - NOT EJECTED	OL ENDORSEMENT	8 - INTERMEDIATE LICENSE RESTRICTIONS		ALCOHOL TEST TYPE
INJURIES TAKEN BY	9 - THIRD - RIGHT SIDE	2 - PARTIALLY EJECTED	H - HAZMAT	9 - LEARNER'S PERMIT RESTRICTIONS		1 - NONE
1 - NOT TRANSPORTED / TREATED AT SCENE	10 - SLEEPER SECTION OF TRUCK CAB	3 - TOTALLY EJECTED	M - MOTORCYCLE	10 - LIMITED TO DAYLIGHT ONLY		2 - BLOOD
2 - EMS	11 - PASSENGER IN OTHER ENCLOSED CARGO AREA (NON-TRAILING UNIT, BUS, PICK-UP WITH CAP)	4 - NOT APPLICABLE	P - PASSENGER	11 - LIMITED TO EMPLOYMENT		3 - URINE
3 - POLICE	12 - PASSENGER IN UNENCLOSED CARGO AREA	TRAPPED	N - TANKER	12 - LIMITED - OTHER		4 - BREATH
	13 - TRAILING UNIT	1 - NOT TRAPPED	Q - MOTOR SCOOTER	13 - MECHANICAL DEVICES (SPECIAL BRAKES, HAND CONTROLS, OR OTHER ADAPTIVE DEVICES)		5 - OTHER
	14 - RIDING ON VEHICLE EXTERIOR	2 - EXTRICATED BY MECHANICAL MEANS	R - THREE-WHEEL MOTORCYCLE	14 - MILITARY VEHICLES ONLY	CONDITION	DRUG TEST TYPE
	15 - NON-MOTORIST	3 - FREED BY NON-MECHANICAL MEANS	S - SCHOOL BUS	15 - MOTOR VEHICLES WITHOUT AIR BRAKES	1 - APPARENTLY NORMAL	1 - NONE
	99 - OTHER / UNKNOWN		T - DOUBLE & TRIPLE TRAILERS	16 - OUTSIDE MIRROR	2 - PHYSICAL IMPAIRMENT	2 - BLOOD
SAFETY EQUIPMENT			X - TANKER / HAZMAT	17 - PROSTHETIC AID	3 - EMOTIONAL (E.G., DEPRESSED, ANGRY, DISTURBED)	3 - URINE
1 - NONE USED				18 - OTHER	4 - ILLNESS	4 - OTHER
2 - SHOULDER BELT ONLY USED					5 - FELL ASLEEP, FAINTED, FATIGUED, ETC.	DRUG TEST RESULT(S)
3 - LAP BELT ONLY USED					6 - UNDER THE INFLUENCE OF MEDICATIONS / DRUGS / ALCOHOL	1 - AMPHETAMINES
4 - SHOULDER & LAP BELT USED					9 - OTHER / UNKNOWN	2 - BARBITURATES
5 - CHILD RESTRAINT SYSTEM - FORWARD FACING						3 - BENZODIAZEPINES
6 - CHILD RESTRAINT SYSTEM - REAR FACING						4 - CANNABINOIDS
7 - BOOSTER SEAT						5 - COCAINE
8 - HELMET USED						6 - OPIATES / OPIOIDS
9 - PROTECTIVE PADS USED (ELBOWS, KNEES, ETC)						7 - OTHER
10 - REFLECTIVE CLOTHING						8 - NEGATIVE RESULTS
11 - LIGHTING - PEDESTRIAN / BICYCLE ONLY						
99 - OTHER / UNKNOWN						

INJURIES TAKEN BY	SEATING POSITION	AIR BAG	OL CLASS	OL RESTRICTION(S)	DRIVER DISTRACTION	TEST STATUS
1 - NOT TRANSPORTED / TREATED AT SCENE	1 - FRONT - LEFT SIDE (MOTORCYCLE DRIVER)	1 - NOT DEPLOYED	1 - CLASS A	1 - ALCOHOL INTERLOCK DEVICE	1 - NOT DISTRACTED	1 - NONE GIVEN
2 - EMS	2 - FRONT - MIDDLE	2 - DEPLOYED FRONT	2 - CLASS B	2 - CDI. INTRASTATE ONLY	2 - MANUALLY OPERATING AN ELECTRONIC COMMUNICATION DEVICE (TEXTING, TYPING, EMAILING)	2 - TEST REFUSED
3 - POLICE	3 - FRONT - RIGHT SIDE	3 - DEPLOYED SIDE	3 - CLASS C	3 - CORRECTIVE LENSES	3 - TALKING ON HANDS-FREE COMMUNICATION DEVICE	3 - TEST GIVEN, CONTAMINATED SAMPLE / UNUSABLE
9 - OTHER / UNKNOWN	4 - SECOND - LEFT SIDE (MOTORCYCLE PASSENGER)	4 - DEPLOYED BOTH FRONT/SIDE	4 - REGULAR CLASS (OHIO = D)	4 - FARM WAIVER	4 - TALKING ON HAND-HELD COMMUNICATION DEVICE	4 - TEST GIVEN, RESULTS KNOWN
	5 - SECOND - MIDDLE	5 - NOT APPLICABLE	5 - M/C MOPED ONLY	5 - EXCEPT CLASS A BUS	5 - OTHER ACTIVITY WITH AN ELECTRONIC DEVICE	5 - TEST GIVEN, RESULTS UNKNOWN
	6 - SECOND - RIGHT SIDE	9 - DEPLOYMENT UNKNOWN	6 - NO VALID OL	6 - EXCEPT CLASS A & CLASS B BUS		
	7 - THIRD - LEFT SIDE (MOTORCYCLE SIDE CAR)	EJECTION		7 - EXCEPT TRACTOR-TRAILER		
	8 - THIRD - MIDDLE	1 - NOT EJECTED	OL ENDORSEMENT	8 - INTERMEDIATE LICENSE RESTRICTIONS		ALCOHOL TEST TYPE
	9 - THIRD - RIGHT SIDE	2 - PARTIALLY EJECTED	H - HAZMAT	9 - LEARNER'S PERMIT RESTRICTIONS		1 - NONE
	10 - SLEEPER SECTION OF TRUCK CAB	3 - TOTALLY EJECTED	M - MOTORCYCLE	10 - LIMITED TO DAYLIGHT ONLY		2 - BLOOD
	11 - PASSENGER IN OTHER ENCLOSED CARGO AREA (NON-TRAILING UNIT, BUS, PICK-UP WITH CAP)	4 - NOT APPLICABLE	P - PASSENGER	11 - LIMITED TO EMPLOYMENT		3 - URINE
	12 - PASSENGER IN UNENCLOSED CARGO AREA	TRAPPED	N - TANKER	12 - LIMITED - OTHER		4 - BREATH
	13 - TRAILING UNIT	1 - NOT TRAPPED	Q - MOTOR SCOOTER	13 - MECHANICAL DEVICES (SPECIAL BRAKES, HAND CONTROLS, OR OTHER ADAPTIVE DEVICES)		5 - OTHER
	14 - RIDING ON VEHICLE EXTERIOR	2 - EXTRICATED BY MECHANICAL MEANS	R - THREE-WHEEL MOTORCYCLE	14 - MILITARY VEHICLES ONLY	CONDITION	DRUG TEST TYPE
	15 - NON-MOTORIST	3 - FREED BY NON-MECHANICAL MEANS	S - SCHOOL BUS	15 - MOTOR VEHICLES WITHOUT AIR BRAKES	1 - APPARENTLY NORMAL	1 - NONE
	99 - OTHER / UNKNOWN		T - DOUBLE & TRIPLE TRAILERS	16 - OUTSIDE MIRROR	2 - PHYSICAL IMPAIRMENT	2 - BLOOD
			X - TANKER / HAZMAT	17 - PROSTHETIC AID	3 - EMOTIONAL (E.G., DEPRESSED, ANGRY, DISTURBED)	3 - URINE
				18 - OTHER	4 - ILLNESS	4 - OTHER
					5 - FELL ASLEEP, FAINTED, FATIGUED, ETC.	DRUG TEST RESULT(S)
					6 - UNDER THE INFLUENCE OF MEDICATIONS / DRUGS / ALCOHOL	1 - AMPHETAMINES
					9 - OTHER / UNKNOWN	2 - BARBITURATES
						3 - BENZODIAZEPINES
						4 - CANNABINOIDS
						5 - COCAINE
						6 - OPIATES / OPIOIDS
						7 - OTHER
						8 - NEGATIVE RESULTS

INJURIES TAKEN BY	SEATING POSITION	AIR BAG	OL CLASS	OL RESTRICTION(S)	DRIVER DISTRACTION	TEST STATUS
1 - NOT TRANSPORTED / TREATED AT SCENE	1 - FRONT - LEFT SIDE (MOTORCYCLE DRIVER)	1 - NOT DEPLOYED	1 - CLASS A	1 - ALCOHOL INTERLOCK DEVICE	1 - NOT DISTRACTED	1 - NONE GIVEN
2 - EMS	2 - FRONT - MIDDLE	2 - DEPLOYED FRONT	2 - CLASS B	2 - CDI. INTRASTATE ONLY	2 - MANUALLY OPERATING AN ELECTRONIC COMMUNICATION DEVICE (TEXTING, TYPING, EMAILING)	2 - TEST REFUSED
3 - POLICE	3 - FRONT - RIGHT SIDE	3 - DEPLOYED SIDE	3 - CLASS C	3 - CORRECTIVE LENSES	3 - TALKING ON HANDS-FREE COMMUNICATION DEVICE	3 - TEST GIVEN, CONTAMINATED SAMPLE / UNUSABLE
9 - OTHER / UNKNOWN	4 - SECOND - LEFT SIDE (MOTORCYCLE PASSENGER)	4 - DEPLOYED BOTH FRONT/SIDE	4 - REGULAR CLASS (OHIO = D)	4 - FARM WAIVER	4 - TALKING ON HAND-HELD COMMUNICATION DEVICE	4 - TEST GIVEN, RESULTS KNOWN
	5 - SECOND - MIDDLE	5 - NOT APPLICABLE	5 - M/C MOPED ONLY	5 - EXCEPT CLASS A BUS	5 - OTHER ACTIVITY WITH AN ELECTRONIC DEVICE	5 - TEST GIVEN, RESULTS UNKNOWN
	6 - SECOND - RIGHT SIDE	9 - DEPLOYMENT UNKNOWN	6 - NO VALID OL	6 - EXCEPT CLASS A & CLASS B BUS		
	7 - THIRD - LEFT SIDE (MOTORCYCLE SIDE CAR)	EJECTION		7 - EXCEPT TRACTOR-TRAILER		
	8 - THIRD - MIDDLE	1 - NOT EJECTED	OL ENDORSEMENT	8 - INTERMEDIATE LICENSE RESTRICTIONS		ALCOHOL TEST TYPE
	9 - THIRD - RIGHT SIDE	2 - PARTIALLY EJECTED	H - HAZMAT	9 - LEARNER'S PERMIT RESTRICTIONS		1 - NONE
	10 - SLEEPER SECTION OF TRUCK CAB	3 - TOTALLY EJECTED	M - MOTORCYCLE	10 - LIMITED TO DAYLIGHT ONLY		2 - BLOOD
	11 - PASSENGER IN OTHER ENCLOSED CARGO AREA (NON-TRAILING UNIT, BUS, PICK-UP WITH CAP)	4 - NOT APPLICABLE	P - PASSENGER	11 - LIMITED TO EMPLOYMENT		3 - URINE
	12 - PASSENGER IN UNENCLOSED CARGO AREA	TRAPPED	N - TANKER	12 - LIMITED - OTHER		4 - BREATH
	13 - TRAILING UNIT	1 - NOT TRAPPED	Q - MOTOR SCOOTER	13 - MECHANICAL DEVICES (SPECIAL BRAKES, HAND CONTROLS, OR OTHER ADAPTIVE DEVICES)		5 - OTHER
	14 - RIDING ON VEHICLE EXTERIOR	2 - EXTRICATED BY MECHANICAL MEANS	R - THREE-WHEEL MOTORCYCLE	14 - MILITARY VEHICLES ONLY	CONDITION	DRUG TEST TYPE
	15 - NON-MOTORIST	3 - FREED BY NON-MECHANICAL MEANS	S - SCHOOL BUS	15 - MOTOR VEHICLES WITHOUT AIR BRAKES	1 - APPARENTLY NORMAL	1 - NONE
	99 - OTHER / UNKNOWN		T - DOUBLE & TRIPLE TRAILERS	16 - OUTSIDE MIRROR	2 - PHYSICAL IMPAIRMENT	2 - BLOOD
			X - TANKER / HAZMAT	17 - PROSTHETIC AID	3 - EMOTIONAL (E.G., DEPRESSED, ANGRY, DISTURBED)	3 - URINE
				18 - OTHER	4 - ILLNESS	4 - OTHER
					5 - FELL ASLEEP, FAINTED, FATIGUED, ETC.	DRUG TEST RESULT(S)
					6 - UNDER THE INFLUENCE OF MEDICATIONS / DRUGS / ALCOHOL	1 - AMPHETAMINES
					9 - OTHER / UNKNOWN	2 - BARBITURATES
						3 - BENZODIAZEPINES
						4 - CANNABINOIDS
						5 - COCAINE
						6 - OPIATES / OPIOIDS
						7 - OTHER
						8 - NEGATIVE RESULTS



OCCUPANT / WITNESS ADDENDUM

LOCAL REPORT NUMBER
000220024701

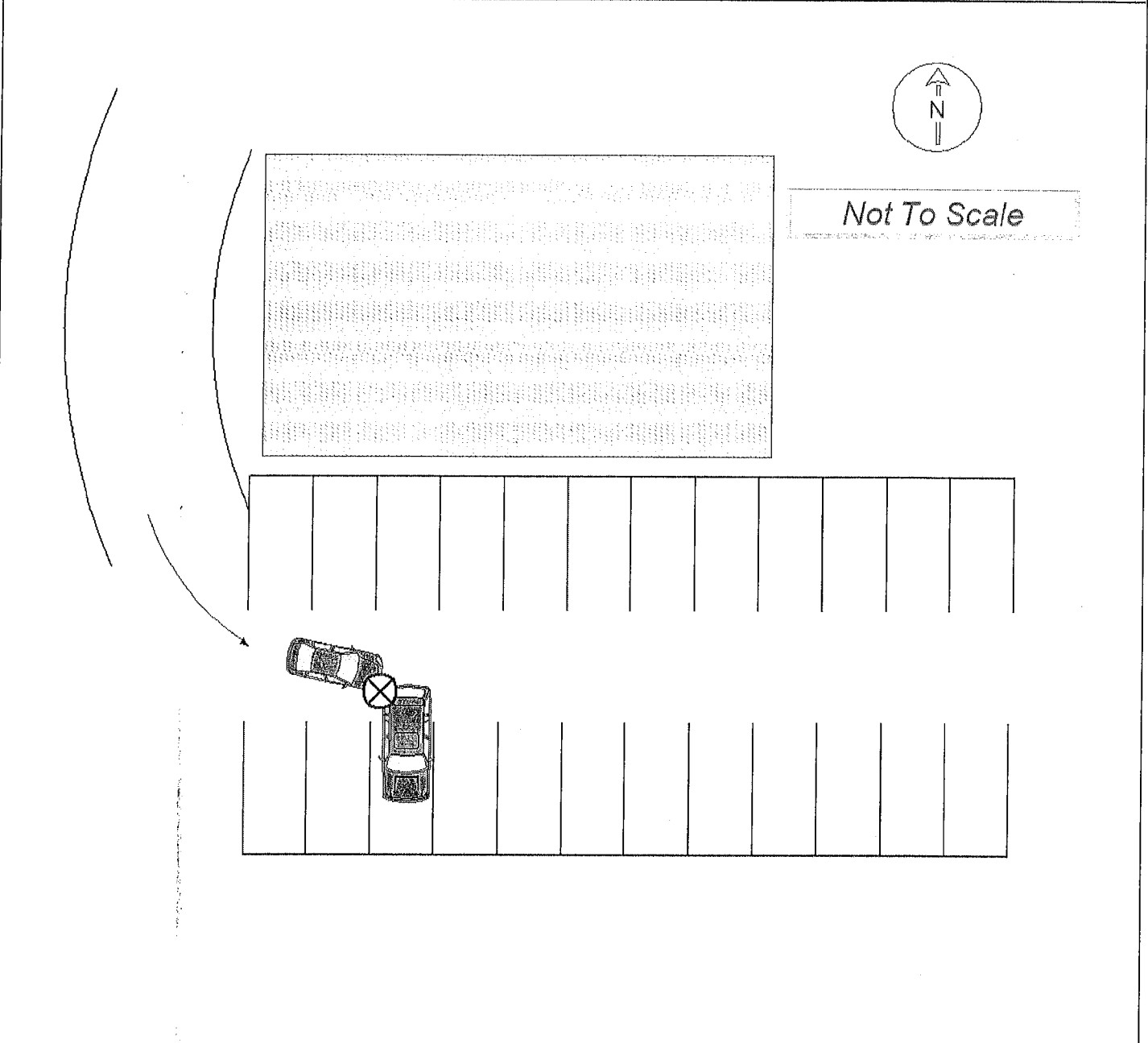
OCCUPANT	UNIT #	NAME: LAST, FIRST, MIDDLE			DATE OF BIRTH		AGE	GENDER		
	ADDRESS: STREET, CITY, STATE, ZIP				CONTACT PHONE - INCLUDE AREA CODE					
OCCUPANT	INJURIES	INJURED TAKEN BY	EMS AGENCY (NAME)	INJURED TAKEN TO: MEDICAL FACILITY (NAME, CITY)	SAFETY EQUIPMENT	<input type="checkbox"/> DOT-COMPLIANT MC HELMET	SEATING POSITION	AIR BAG USAGE	EJECTION	TRAPPED
OCCUPANT	UNIT #	NAME: LAST, FIRST, MIDDLE			DATE OF BIRTH		AGE	GENDER		
	ADDRESS: STREET, CITY, STATE, ZIP				CONTACT PHONE - INCLUDE AREA CODE					
OCCUPANT	INJURIES	INJURED TAKEN BY	EMS AGENCY (NAME)	INJURED TAKEN TO: MEDICAL FACILITY (NAME, CITY)	SAFETY EQUIPMENT	<input type="checkbox"/> DOT-COMPLIANT MC HELMET	SEATING POSITION	AIR BAG USAGE	EJECTION	TRAPPED
OCCUPANT	UNIT #	NAME: LAST, FIRST, MIDDLE			DATE OF BIRTH		AGE	GENDER		
	ADDRESS: STREET, CITY, STATE, ZIP				CONTACT PHONE - INCLUDE AREA CODE					
OCCUPANT	INJURIES	INJURED TAKEN BY	EMS AGENCY (NAME)	INJURED TAKEN TO: MEDICAL FACILITY (NAME, CITY)	SAFETY EQUIPMENT	<input type="checkbox"/> DOT-COMPLIANT MC HELMET	SEATING POSITION	AIR BAG USAGE	EJECTION	TRAPPED
OCCUPANT	UNIT #	NAME: LAST, FIRST, MIDDLE			DATE OF BIRTH		AGE	GENDER		
	ADDRESS: STREET, CITY, STATE, ZIP				CONTACT PHONE - INCLUDE AREA CODE					
OCCUPANT	INJURIES	INJURED TAKEN BY	EMS AGENCY (NAME)	INJURED TAKEN TO: MEDICAL FACILITY (NAME, CITY)	SAFETY EQUIPMENT	<input type="checkbox"/> DOT-COMPLIANT MC HELMET	SEATING POSITION	AIR BAG USAGE	EJECTION	TRAPPED

INJURIES	SAFETY EQUIPMENT USED	SEATING POSITION	AIR BAG USAGE
1 - FATAL	1 - NONE USED - VEHICLE OCCUPANT	1 - FRONT - LEFT SIDE (MOTORCYCLE DRIVER)	1 - NOT DEPLOYED
2 - SUSPECTED SERIOUS INJURY	2 - SHOULDER BELT ONLY USED	2 - FRONT - MIDDLE	2 - DEPLOYED FRONT
3 - SUSPECTED MINOR INJURY	3 - LAP BELT ONLY USED	3 - FRONT - RIGHT SIDE	3 - DEPLOYED SIDE
4 - POSSIBLE INJURY	4 - SHOULDER & LAP BELT USED	4 - SECOND - LEFT SIDE (MOTORCYCLE PASSENGER)	4 - DEPLOYED BOTH FRONT/SIDE
5 - NO APPARENT INJURY	5 - CHILD RESTRAINT SYSTEM - FORWARD FACING	5 - SECOND - MIDDLE	5 - NOT APPLICABLE
	6 - CHILD RESTRAINT SYSTEM - REAR FACING	6 - SECOND - RIGHT SIDE	9 - DEPLOYMENT UNKNOWN
	7 - BOOSTER SEAT	7 - THIRD - LEFT SIDE (MOTORCYCLE SIDE CAR)	
	8 - HELMET USED	8 - THIRD - MIDDLE	EJECTION
	9 - PROTECTIVE PADS USED (ELBOWS, KNEES, ETC)	9 - THIRD - RIGHT SIDE	1 - NOT EJECTED
	10 - REFLECTIVE CLOTHING	10 - SLEEPER SECTION OF TRUCK CAB	2 - PARTIALLY EJECTED
	11 - LIGHTING - PEDESTRIAN / BICYCLE ONLY	11 - PASSENGER IN OTHER ENCLOSED CARGO AREA (NON-TRAILING UNIT SUCH AS A BUS, PICK-UP WITH CAP)	3 - TOTALLY EJECTED
	99 - OTHER / UNKNOWN	12 - PASSENGER IN UNENCLOSED CARGO AREA	4 - NOT APPLICABLE
		13 - TRAILING UNIT	TRAPPED
		14 - RIDING ON VEHICLE EXTERIOR (NON-TRAILING UNIT)	1 - NOT TRAPPED
		15 - NON-MOTORIST	2 - EXTRICATED BY MECHANICAL MEANS
		99 - OTHER / UNKNOWN	3 - FREED BY NON-MECHANICAL MEANS

WITNESS	NAME: LAST, FIRST, MIDDLE	DATE OF BIRTH		AGE	GENDER
	ADDRESS: STREET, CITY, STATE, ZIP	CONTACT PHONE - INCLUDE AREA CODE			
WITNESS	NAME: LAST, FIRST, MIDDLE	DATE OF BIRTH		AGE	GENDER
	ADDRESS: STREET, CITY, STATE, ZIP	CONTACT PHONE - INCLUDE AREA CODE			
WITNESS	NAME: LAST, FIRST, MIDDLE	DATE OF BIRTH		AGE	GENDER
	ADDRESS: STREET, CITY, STATE, ZIP	CONTACT PHONE - INCLUDE AREA CODE			

OHIO TRAFFIC ACCIDENT - OH2 DIAGRAM

LOCAL REPORT NUMBER 000220024701	REPORTING AGENCY Clermont County Sheriff	Date Of Crash 08/07/2022
IN COUNTY OF Clermont County	ACCIDENT LOCATION 125	



OFFICERS SIGNATURE	BADGE NO. 12226
--------------------	---------------------------